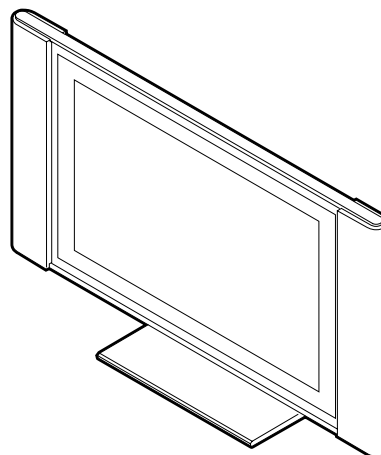
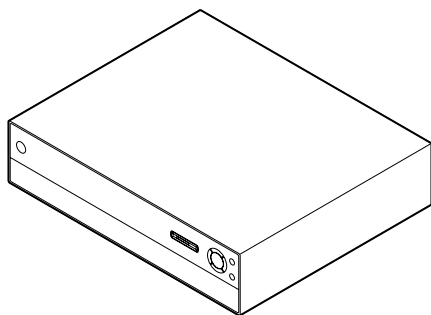


# KLV-30XBR900

## SERVICE MANUAL

*US Model*  
*Canadian Model*



### SPECIFICATIONS

Panel System	Liquid Crystal Display panel	
Display resolution	Display resolution: 1280 pixels (horizontal) × 768 pixels (vertical)	
Antenna	75 ohm external terminal for VHF/UHF	
Television System	NTSC, American TV Standard	
Channel Coverage	VHF	2-13
	UHF	14-69
	CATV	1-125
Power Requirements	120 V, 60 Hz	
Inputs/Outputs		
DVI-HDTV	1 terminal, 3.3V T.M.D.S., 50 ohms The DVI-HDTV input terminal is compliant with the EIA-861 standard and is not intended for use with personal computers.	
Video (IN)	3 total (1 on front panel)	1 Vp-p, 75 ohms unbalanced, sync negative
S Video (IN)	3 total (1 on front panel)	Y: 1 Vp-p, 75 ohms unbalanced, sync negative C: 0.286 Vp-p (Burst signal), 75 ohms
Audio (IN)	6 total (1 on front panel)	500 mVrms (100% modulation) Impedance: 47 kilohm
Component Video Input	2 (Y, PB, PR)	Y: 1.0 Vp-p, 75 ohms unbalanced, sync negative; PB: 0.7 Vp-p, 75 ohms PR: 0.7 Vp-p, 75 ohms
CONTROL S (OUT)	1	
Variable/Fixed Audio (OUT)	1	More than 408 mVrms at the maximum volume setting (Variable) More than 408 mVrms (Fixed) Impedance (output): 2 kilohms

**FLAT PANEL COLOR TV**  
**SONY®**

Monitor/Fixed Audio (OUT)	×1	
Sub woofer (OUT)	1	phono jack
RF Inputs	2	
Converter	1	
Screen Size (measured diagonally)	30 inches	
Speaker Output	10 w × 2, 4 ohms	
Dimensions (W × H × D)	Display unit	LDM-3000: 971.2 × 594.4 × 229 mm (38 1/4 × 23 1/2 × 9 1/8 in) - with stand 971.2 × 524.3 × 93.4 mm (38 1/4 × 20 3/4 × 3 3/4 in) - without stand
	Media receiver unit	MBT-XBR900L: 430 × 105 × 360 mm (17 × 4 1/4 × 14 1/4 in)
Mass	Display unit	LDM-3000: 27 Kg (59 lbs 60ozs) - with stand 20 Kg (44 lbs) - without stand
	Media receiver unit	MBT-XBR900L: 7.5 Kg (16 lbs)
Power Consumption	In Use	Display unit LDM-3000: 150 W
		Media receiver unit MBT-XBR900L: 36 W
	In Standby	Under 1.5 W
Supplied Accessories	Remote Control (1)	RM-927Y
	AAA (LR03) Batteries (2)	
	AC power code (2)	
	Display interface cable (1)	
	Antenna cable (1)	

Design and specifications are subject to change without notice.

# SAFETY CHECK-OUT

After correcting the original service problem, perform the following safety checks before releasing the set to the customer:

1. Check the area of your repair for unsoldered or poorly-soldered connections. Check the entire board surface for solder splashes and bridges.
2. Check the interboard wiring to ensure that no wires are “pinched” or contact high-wattage resistors.
3. Check that all control knobs, shields, covers, ground straps, and mounting hardware have been replaced. Be absolutely certain that you have replaced all the insulators.
4. Look for unauthorized replacement parts, particularly transistors, that were installed during a previous repair. Point them out to the customer and recommend their replacement.
5. Look for parts which, though functioning, show obvious signs of deterioration. Point them out to the customer and recommend their replacement.
6. Check the line cords for cracks and abrasion. Recommend the replacement of any such line cord to the customer.
7. Check the connector shell, metal trim, “metallized” knobs, screws, and all other exposed metal parts for AC Leakage. Check leakage as described right.

## LEAKAGE TEST

The AC leakage from any exposed metal part to earth ground and from all exposed metal parts to any exposed metal part having a return to chassis, must not exceed 0.5 mA (500 microamperes).

Leakage current can be measured by any one of three methods.

1. A commercial leakage tester, such as the Simpson 229 or RCA WT-540A. Follow the manufacturers’ instructions to use these instruments.
2. A battery-operated AC milliammeter. The Data Precision 245 digital multimeter is suitable for this job.
3. Measuring the voltage drop across a resistor by means of a VOM or battery-operated AC voltmeter. The “limit” indication is 0.75 V, so analog meters must have an accurate low-voltage scale. The Simpson 250 and Sanwa SH-63Trd are examples of a passive VOMs that are suitable. Nearly all battery operated digital multimeters that have a 2 V AC range are suitable. (See Fig. A)

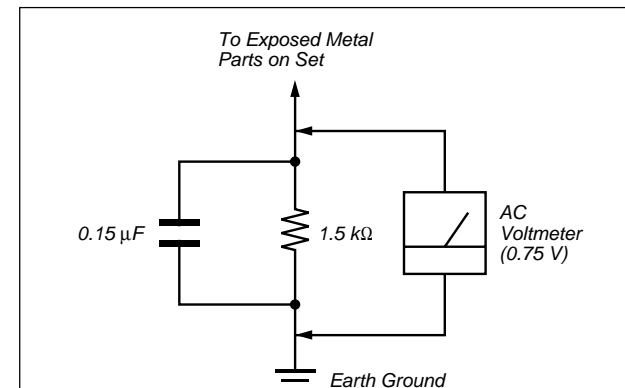




Fig. A. Using an AC voltmeter to check AC leakage.

## **WARNING!!**

**SAFETY-RELATED COMPONENT WARNING!!**  
COMPONENTS IDENTIFIED BY SHADING AND MARK  ON THE SCHEMATIC DIAGRAMS, EXPLODED VIEWS AND IN THE PARTS LIST ARE CRITICAL FOR SAFE OPERATION. REPLACE THESE COMPONENTS WITH SONY PARTS WHOSE PART NUMBERS APPEAR AS SHOWN IN THIS MANUAL OR IN SUPPLEMENTS PUBLISHED BY SONY. CIRCUIT ADJUSTMENTS THAT ARE CRITICAL FOR SAFE OPERATION ARE IDENTIFIED IN THIS MANUAL. FOLLOW THESE PROCEDURES WHENEVER CRITICAL COMPONENTS ARE REPLACED OR IMPROPER OPERATION IS SUSPECTED.

## **AVERTISSEMENT!!**

**ATTENTION AUX COMPOSANTS RELATIFS À LA SÉCURITÉ!!**  
LES COMPOSANTS IDENTIFIÉS PAR UNE TRAME ET UNE MARQUE  SONT CRITIQUES POUR LA SÉCURITÉ. NE LES REMPLACER QUE PAR UNE PIÈCE PORTANT LE NUMÉRO SPECIFIÉ. LES RÉGLAGES DE CIRCUIT DONT L'IMPORTANCE EST CRITIQUE POUR LA SÉCURITÉ DU FONCTIONNEMENT SONT IDENTIFIÉS DANS LE PRÉSENT MANUEL. SUIVRE CES PROCÉDURES LORS DE CHAQUE REMPLACEMENT DE COMPOSANTS CRITIQUES, OU LORSQU'UN MAUVAIS FONCTIONNEMENT EST SUSPECTÉ.



# DIAGNOSIS (Reliability Self Diagnostic Display Specifications for MEDIA RECEIVER)

The abnormal conditions are indicated by the following LED flashes.

Flash Count	Error Display Name	Error Description	Operating Detection	Port	Repair part
4	Fan Error	Error detected for fan box	Detects Low when fan function normally. Detects High when Fan stops abnormally	IC6200 pin #2	<ul style="list-style-type: none"> <li>• FAN</li> <li>• FAN CONNECTOR</li> <li>• SET 11V LINE</li> <li>• SET 5V LINE</li> </ul>
8	Digital OVP	OVP for DD Converter on DP board	Detects High when normal. Detects Low when abnormal.	IC5210 pin #49	DP board <ul style="list-style-type: none"> <li>• Q1612, Q1613, Q1614</li> </ul>
9	Panel Error	Panel malfunction detected	Detects during communication with panel.		Panel Display Unit

1) \*Operation count is based on WDT.

\*For flashes, the Power/Standby LED flashes in red.

\*The flash period is based on the reliability standard.

\*A failure part can be expected by the number of times of blink of LED.

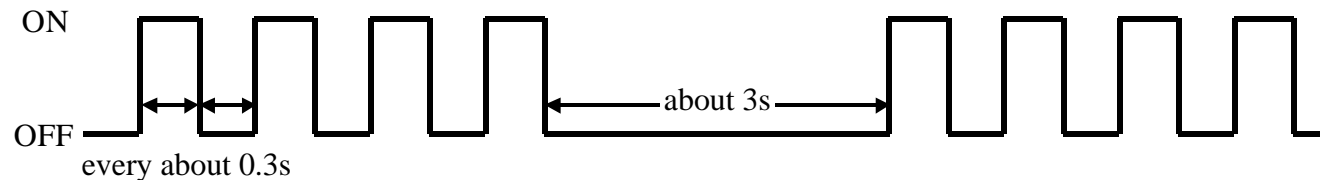
\*When two failures occur, the failure item generated previously is detected.

\*When failure occurs simultaneously, an item with little number of times of blink is detected.

\*In other than “Fan Error”, the unit is in standby state and blink LED at intervals of regulation.

In “Fan Error”, the unit is in a standby state after display for 1 minute about the message of “Fan problem – Powering down”

• Timing of LED blink (example of 4 times blink)



2) In the following case, POWER LED of Media Receiver Box blinks at a fixed interval in ORANGE

- When the cable which connects between Media Receiver Box and Panel Display has fallen out.
- When the AC code for Panel Display has fallen out.

In the following case, POWER LED of Panel Display blinks at a fixed interval in ORANGE

- When the cable which connects between Media Receiver Box and Panel Display has fallen out.
- When the AC code for Media Receiver Box has fallen out.

3) The example which judges whether it is failure

- POWER LED of Media Receiver Box: Blink 9 times in RED, and of Panel Display blink,  
and No picture or Power circuit does not work → Large possibility that Panel Display is out of order.
- When turn on Media Receiver Box, and NO LED of Box shine  
→ Large possibility that Media Receiver Box is out of order.
- When NO Blue LED of Box shine → Large possibility that Media Receiver Box is out of order.  
Check SET5V or IIC line on H1 board.
- When turn on Media Receiver Box, and Fan does not work  
→ Large possibility that Media Receiver Box is out of order

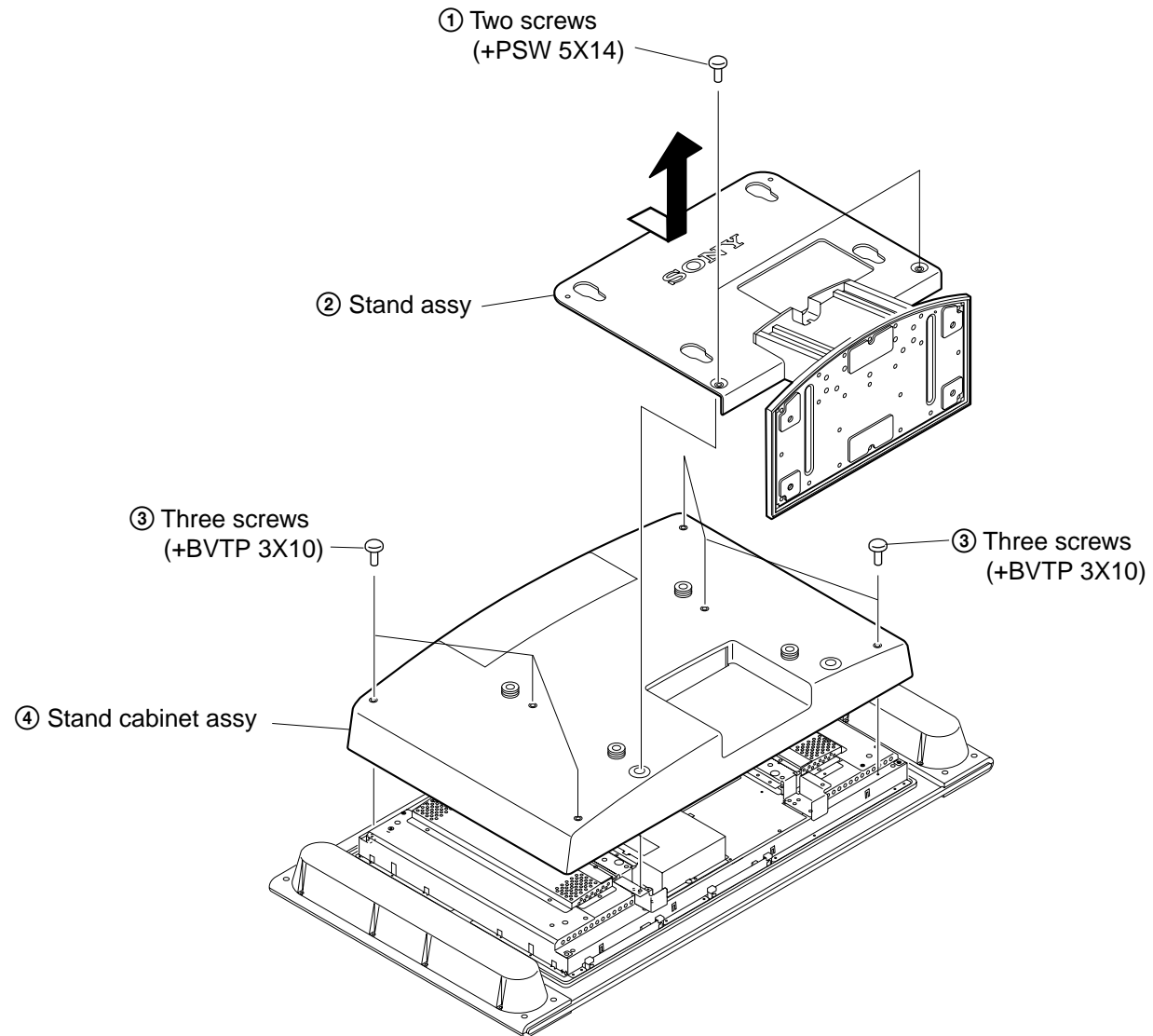
## TABLE OF CONTENTS

<u>Section</u>	<u>Title</u>	<u>Page</u>	<u>Section</u>	<u>Title</u>	<u>Page</u>	
<b>1. DISASSEMBLY</b>						
1-1.	Display Unit (LDM-3000)					
1-1-1.	Stand and Cabinet Removal .....	1-1		1-2-12.	IFA Board Removal .....	1-18
1-1-2.	G and P Boards Removal .....	1-2		1-2-13.	U1 Board Removal .....	1-19
1-1-3.	K Board Removal .....	1-3		1-2-14.	U2 Board Removal .....	1-20
1-1-4.	R1 and R2 Boards Removal .....	1-4	<b>2. TROUBLESHOOTING</b>			
1-1-5.	Panel Support Assy (LCD Panel) .....	1-5	2-1.	Display Unit (LDM-3000) .....	2-1	
1-1-6.	LCD Panel Removal.....	1-6	2-2.	Media Receiver Unit (MBT-XBR900L) .....	2-2	
1-2.	Media Receiver Unit (MBT-XBR900L)		<b>3. DIAGRAMS</b>			
1-2-1.	Panel and Covers Removal.....	1-7	3-1.	Block Diagrams		
1-2-2.	H1 Board Removal .....	1-8	3-1-1.	Display Unit(LDM-3000) .....	3-1	
1-2-3.	H4 Board Removal .....	1-9	3-1-2.	Media Receiver Unit (MBT-XBR900L) ....	3-5	
1-2-4.	H3 Board Removal .....	1-10	3-2.	Frame Diagram .....	3-14	
1-2-5.	MS2 Board Removal .....	1-11	3-3.	Circuit Boards Location		
1-2-6.	H2 Board Removal .....	1-12	3-3-1.	Display Unit(LDM-3000) .....	3-15	
1-2-7.	A Board Removal .....	1-13	3-3-2.	Media Receiver Unit (MBT-XBR900L) ....	3-16	
1-2-8.	B Block Assy Removal .....	1-14	3-4.	Schematic Diagrams and Printed Wiring Boards...	3-17	
1-2-9.	M, AD, and AU Boards Block Removal ....	1-15	3-4-1.	Display Unit(LDM-3000) .....	3-18	
1-2-10.	AD and AU Boards Removal .....	1-16	(1)	Schematic Diagram of G Board .....	3-18	
1-2-11.	M Board Removal .....	1-17	(2)	Schematic Diagram of K Board .....	3-20	

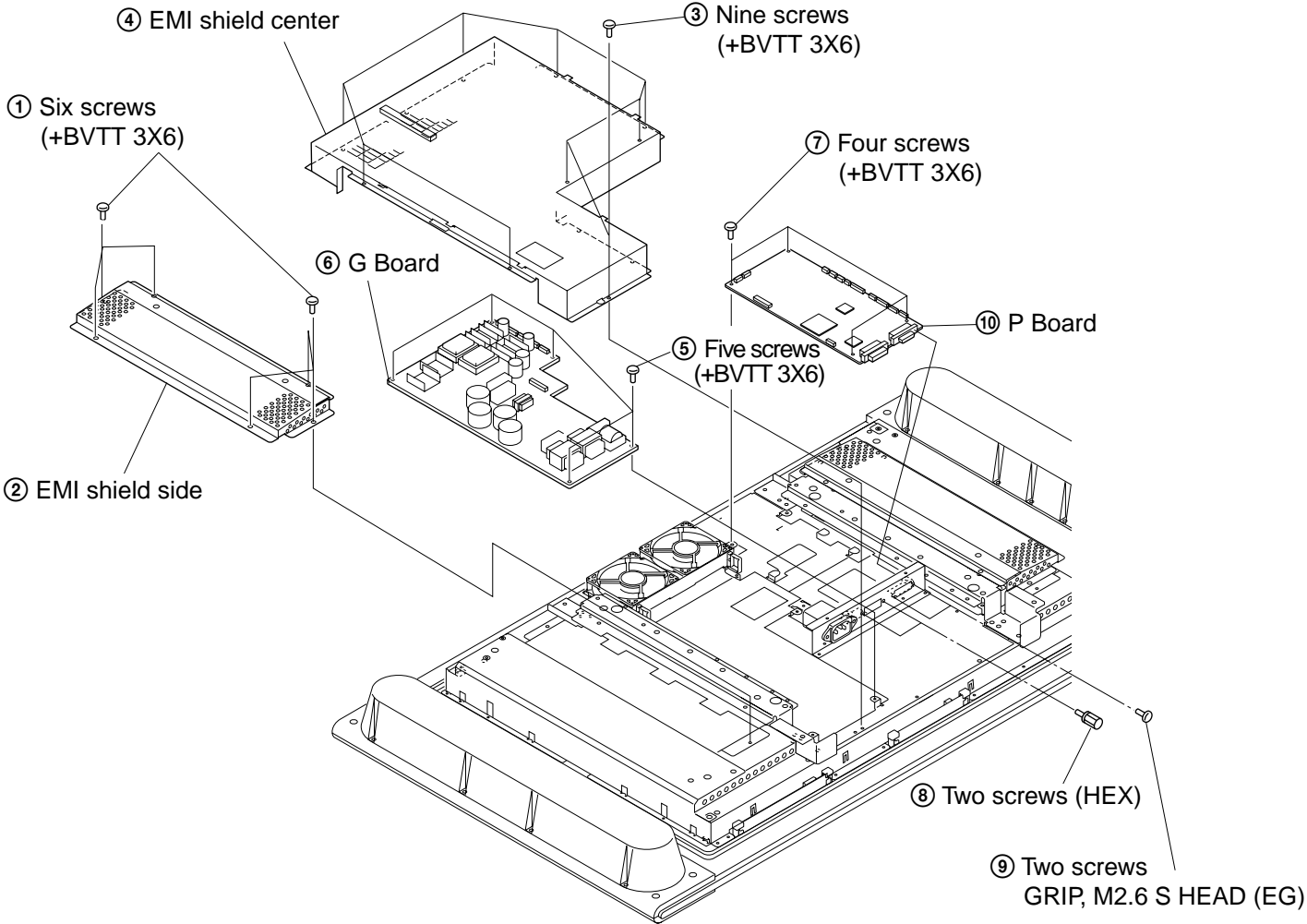
<u>Section</u>	<u>Title</u>	<u>Page</u>	<u>Section</u>	<u>Title</u>	<u>Page</u>
	(3)Schematic Diagram of P Board .....	3-22	<b>4. EXPLODED VIEWS</b> .....		4-1
	(4)Schematic Diagrams of R1 amd R2 Boards ....	3-28	4-1. Display Unit (LDM-3000) .....		4-2
3-4-2.	Media Receiver Unit (MBT-XBR900L) .....	3-29	4-2. Media Receiver Unit-1 (MBT-XBR900L) .....		4-4
	(1)Schematic Diagrams of A Board .....	3-29	4-3. Media Receiver Unit-2 (MBT-XBR900L) .....		4-6
	(2)Schematic Diagrams of AD Board .....	3-32	4-4. Packing Materials for Display Unit (LDM-3000) ...		4-7
	(3)Schematic Diagrams of AU Board .....	3-37	4-5. Packing Materials for Media Receiver Unit		
	(4)Schematic Diagram of DP Board .....	3-39	(MBT-XBR900L) .....		4-8
	(5)Schematic Diagram of H1Board .....	3-41			
	(6)Schematic Diagram of H2 Board .....	3-43	<b>5. ELECTRICAL PARTS LIST</b> .....		5-1
	(7)Schematic Diagrams of H3 and H4 Boards ....	3-44			
	(8)Schematic Diagrams of IFA Board .....	3-45			
	(9)Schematic Diagrams of M Board .....	3-47			
	(10)Schematic Diagrams of MS2 Boards .....	3-53			
	(11)Schematic Diagram of U1 Board .....	3-55			
	(12)Schematic Diagram of U2 Board .....	3-57			
	(13)Schematic Diagrams of BM1C Board .....	3-58			
	(14)Schematic Diagrams of DICA Board .....	3-61			
3-5.	Semiconductors .....	3-67			

# SECTION 1 DISASSEMBLY

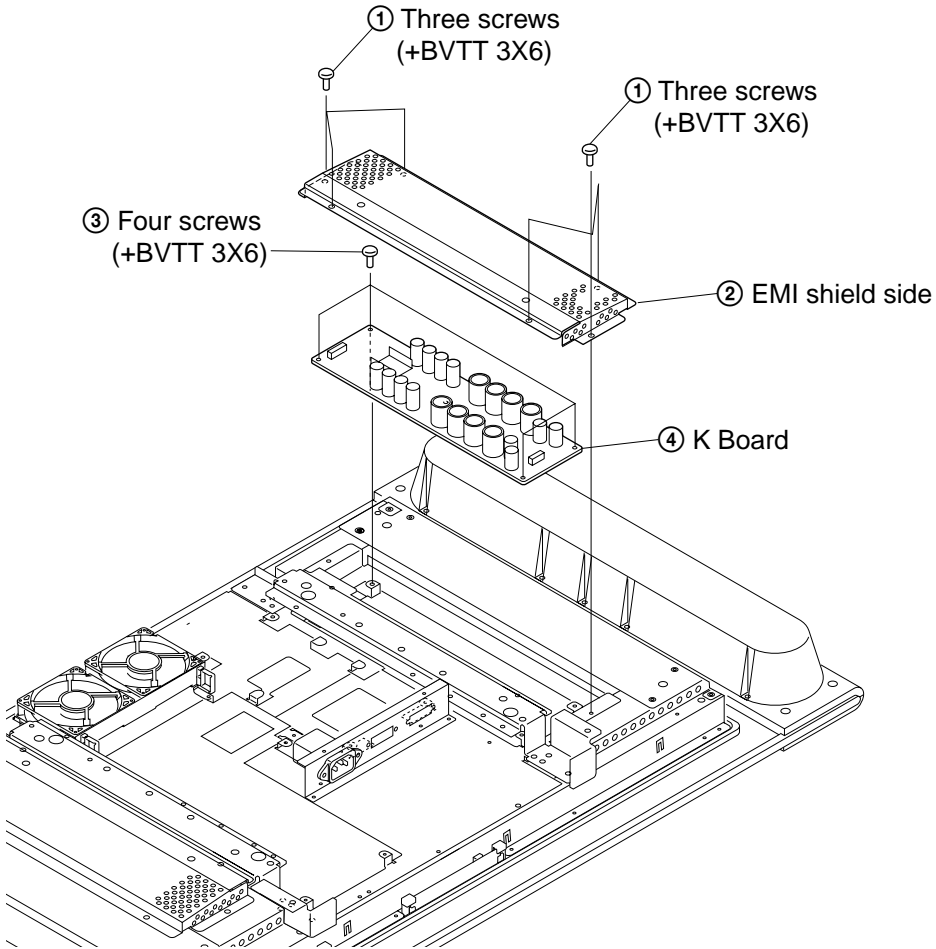
## 1-1. DISPLAY UNIT (LDM-3000) 1-1-1. STAND AND CABINET REMOVAL



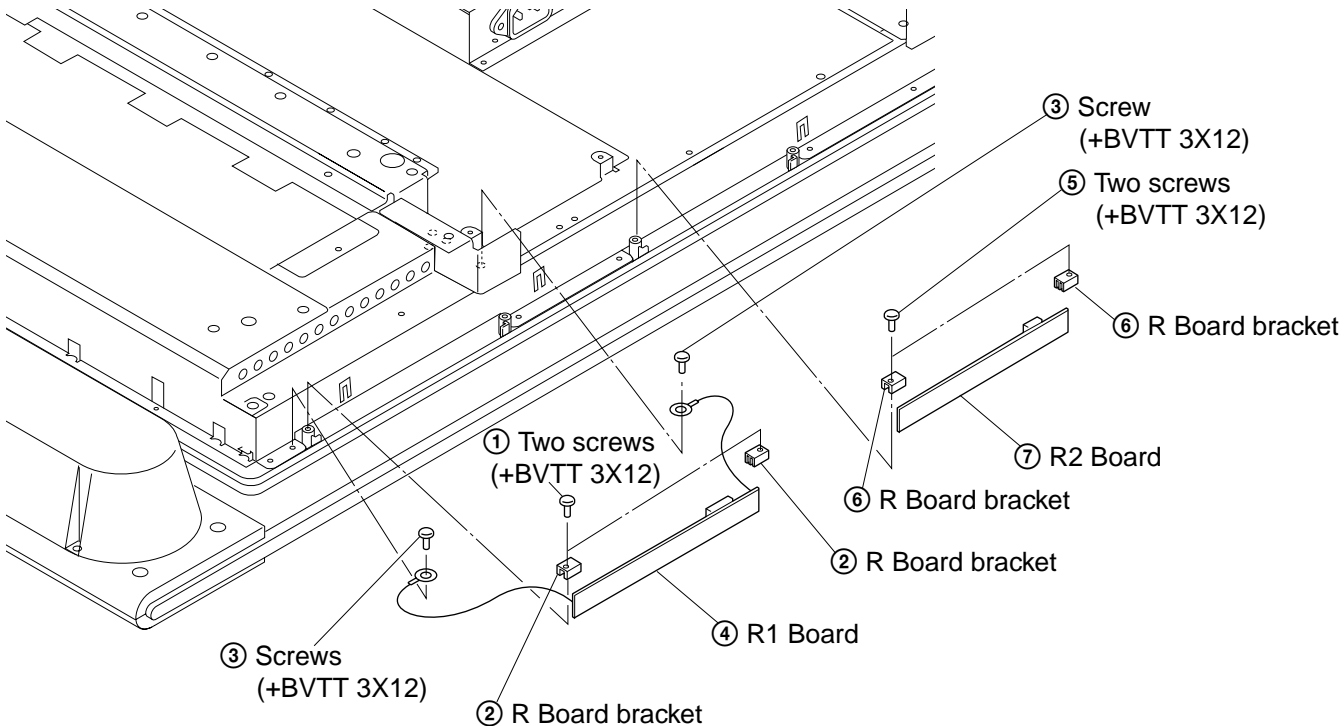
**1-1-2. G AND P BOARDS REMOVAL**



1-1-3. K BOARD REMOVAL

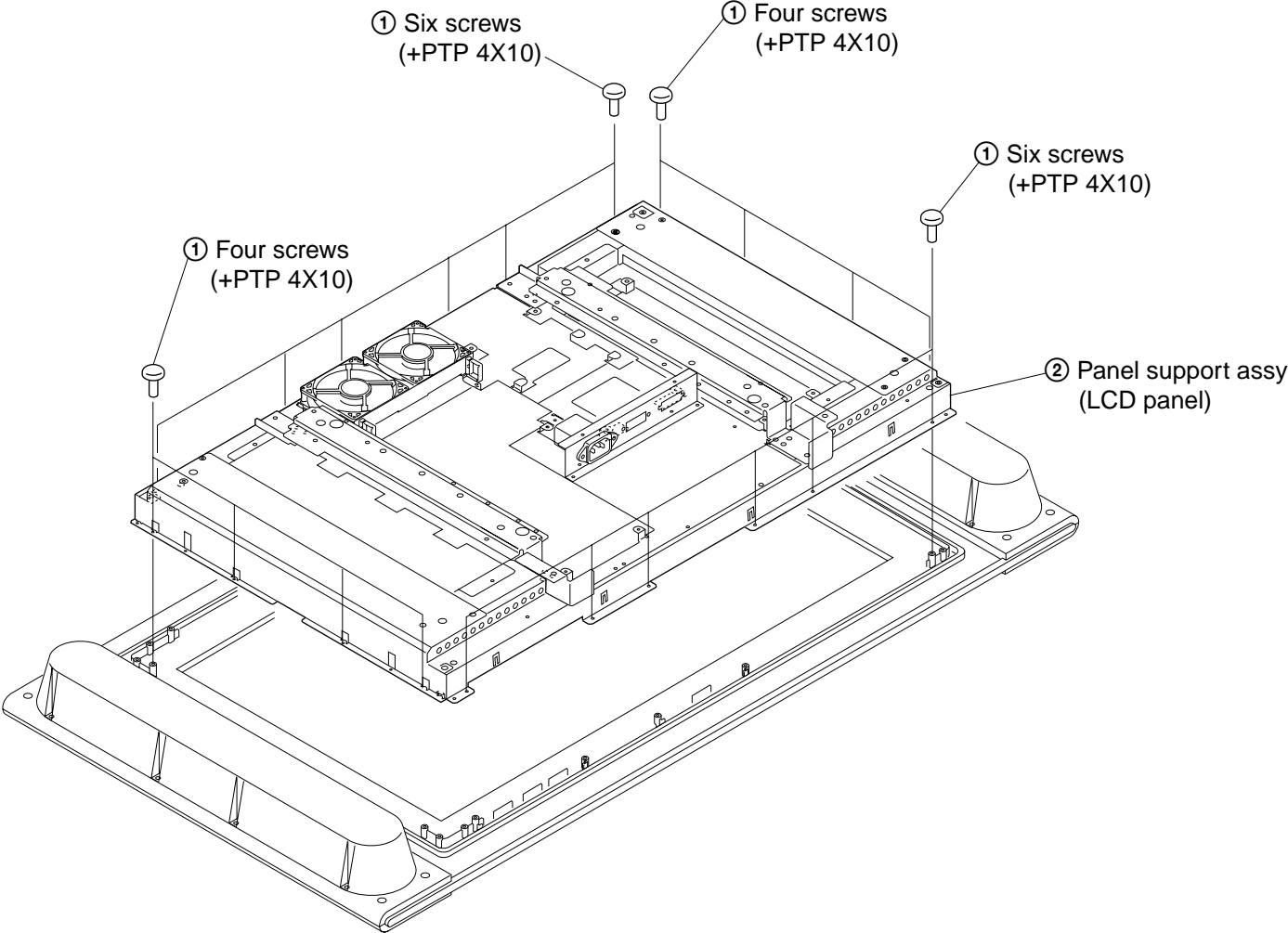


**1-1-4. R1 AND R2 BOARDS REMOVAL**

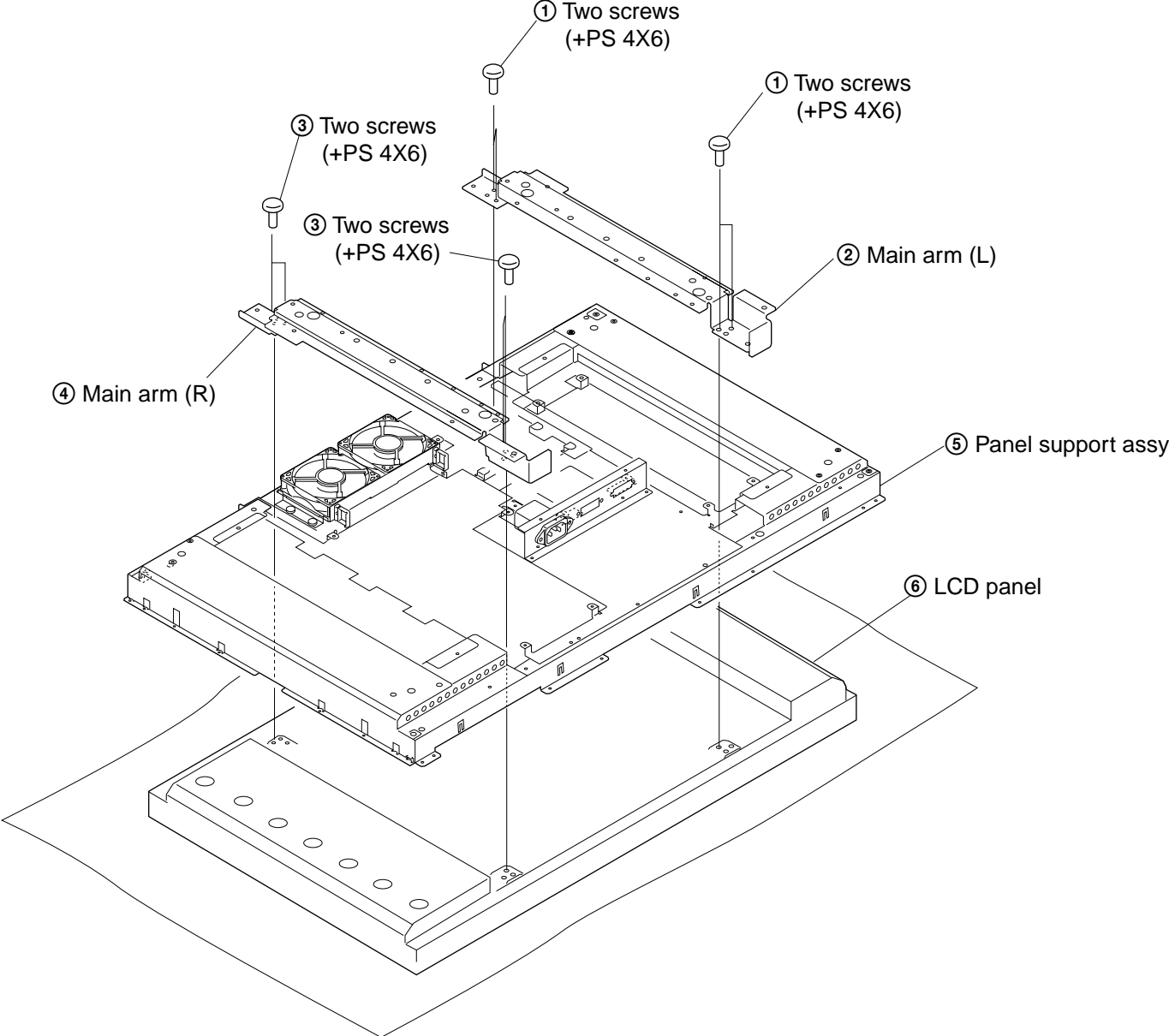




**1-1-5. PANEL SUPPORT ASSY (LCD PANEL)**

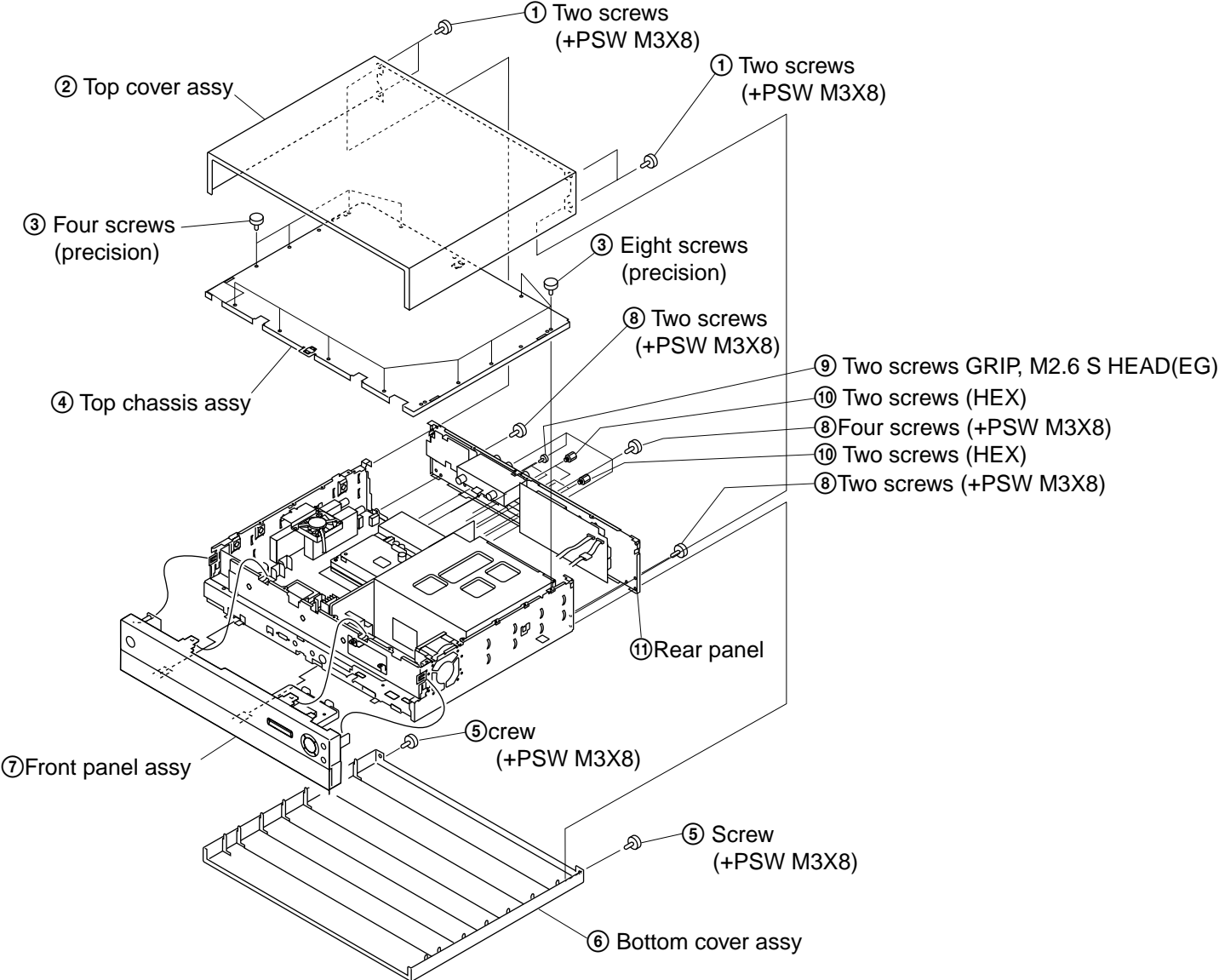


1-1-6. LCD PANEL REMOVAL

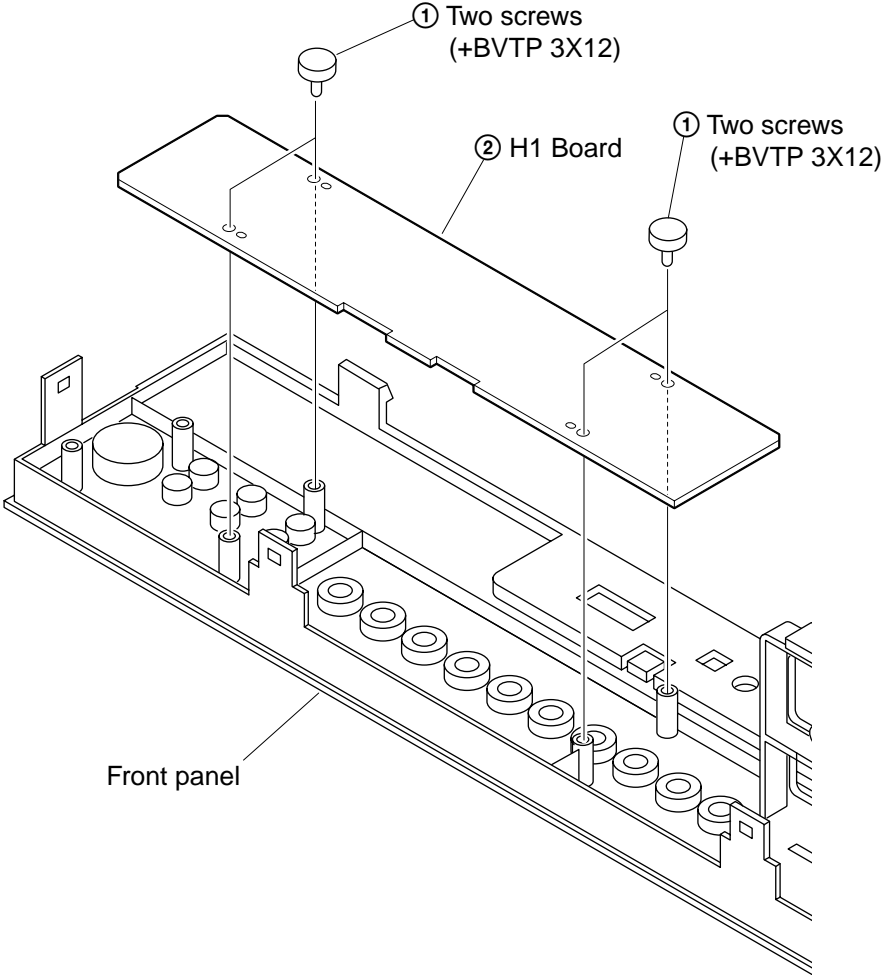


# 1-2. MEDIA RECEIVER UNIT (MBT-XBR900L)

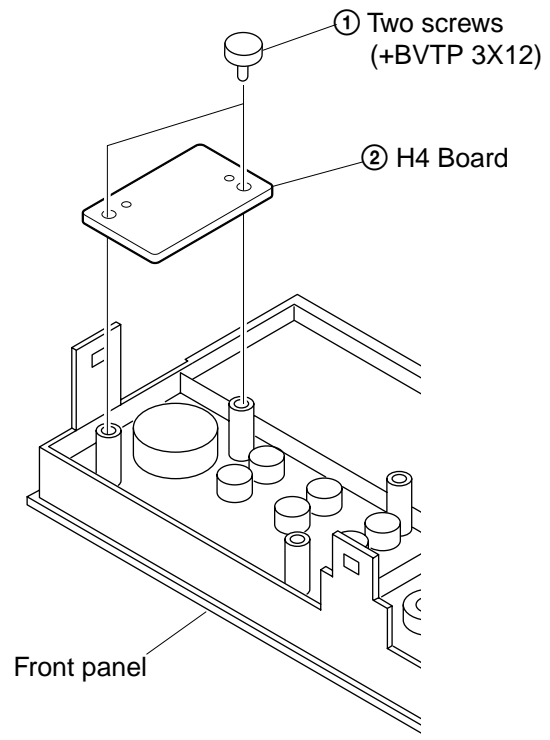
## 1-2-1. PANEL AND COVERS REMOVAL



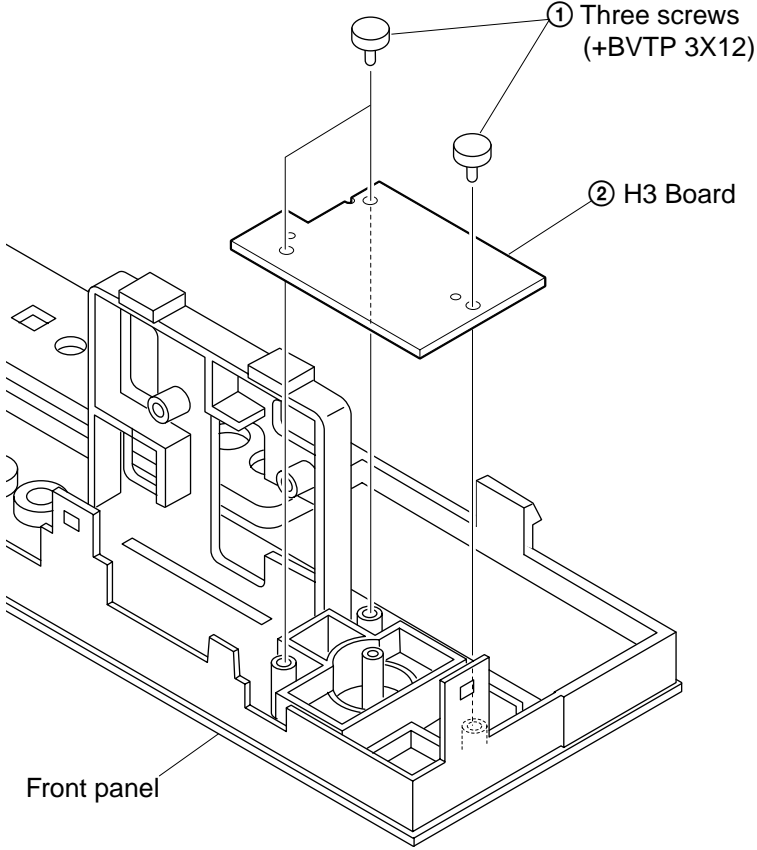
**1-2-2. H1 BOARD REMOVAL**



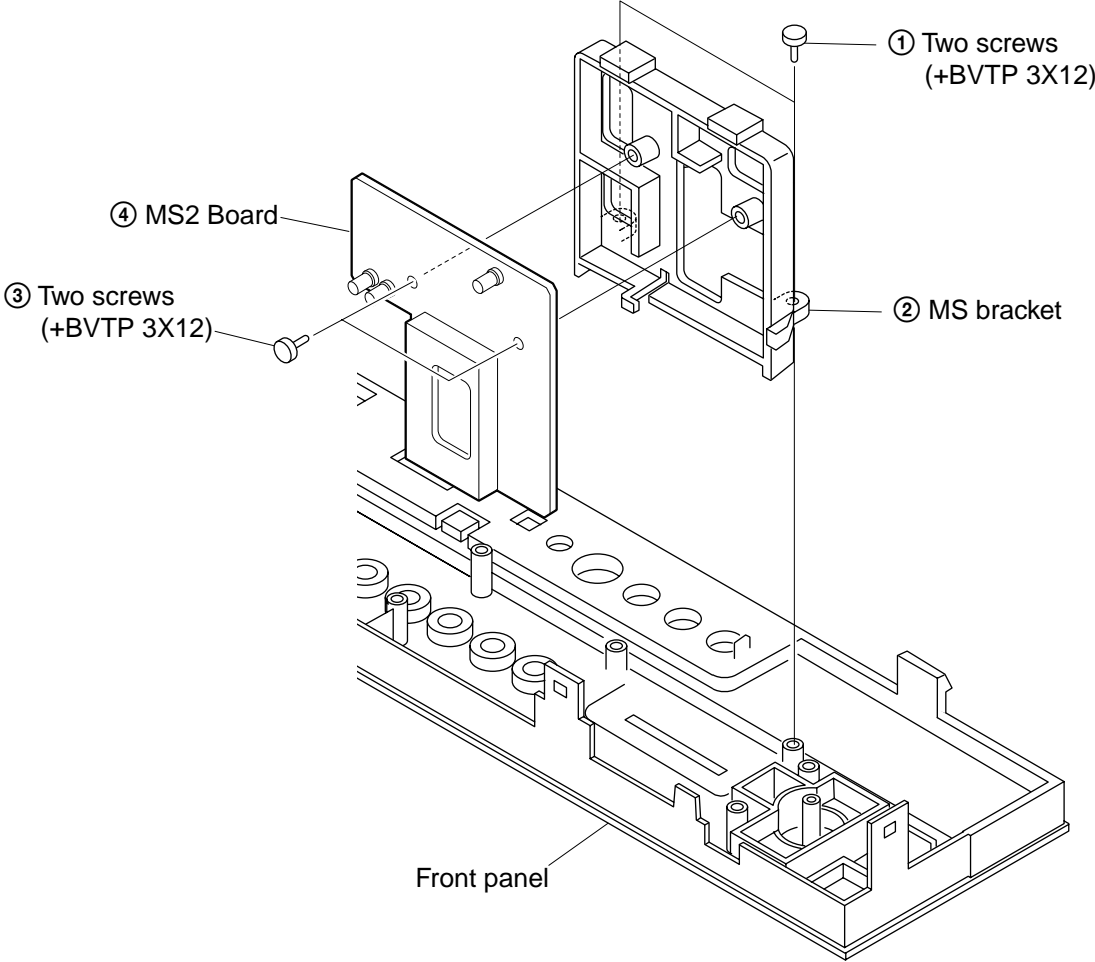
### 1-2-3. H4 BOARD REMOVAL



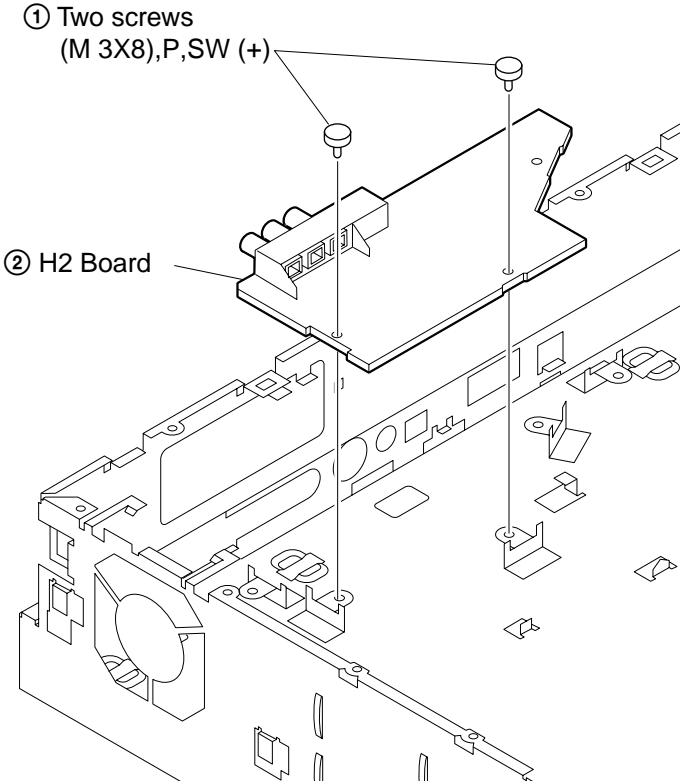
1-2-4. H3 BOARD REMOVAL



**1-2-5. MS2 BOARD REMOVAL**

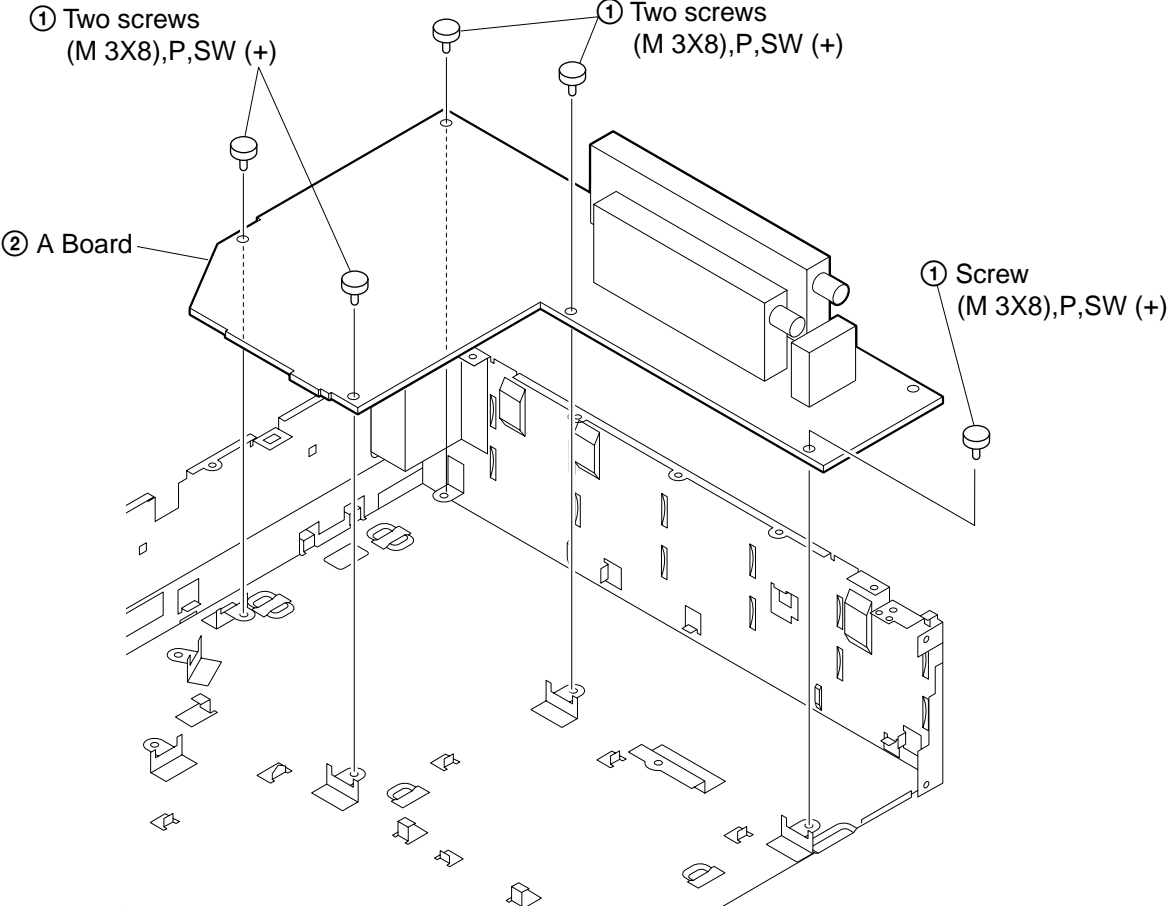


**1-2-6. H2 BOARD REMOVAL**

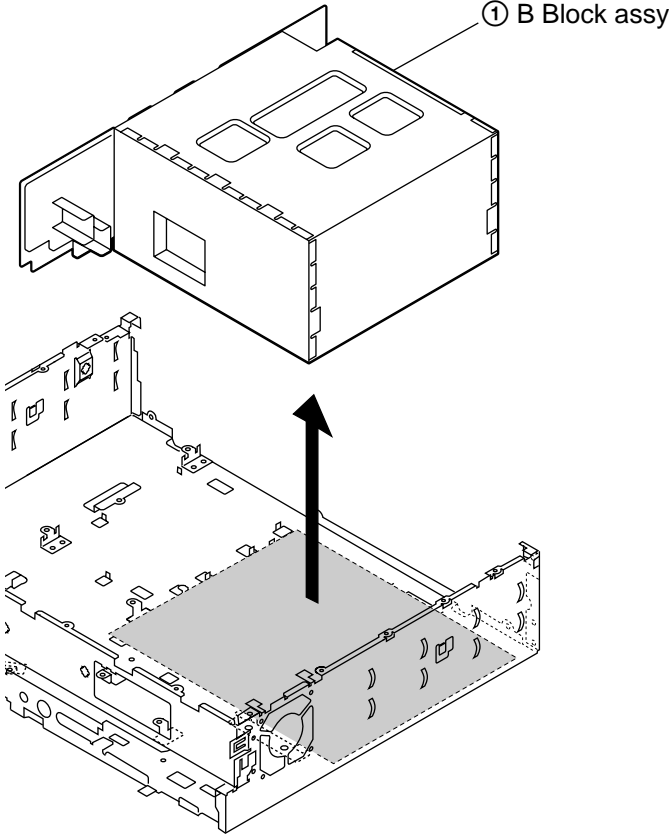




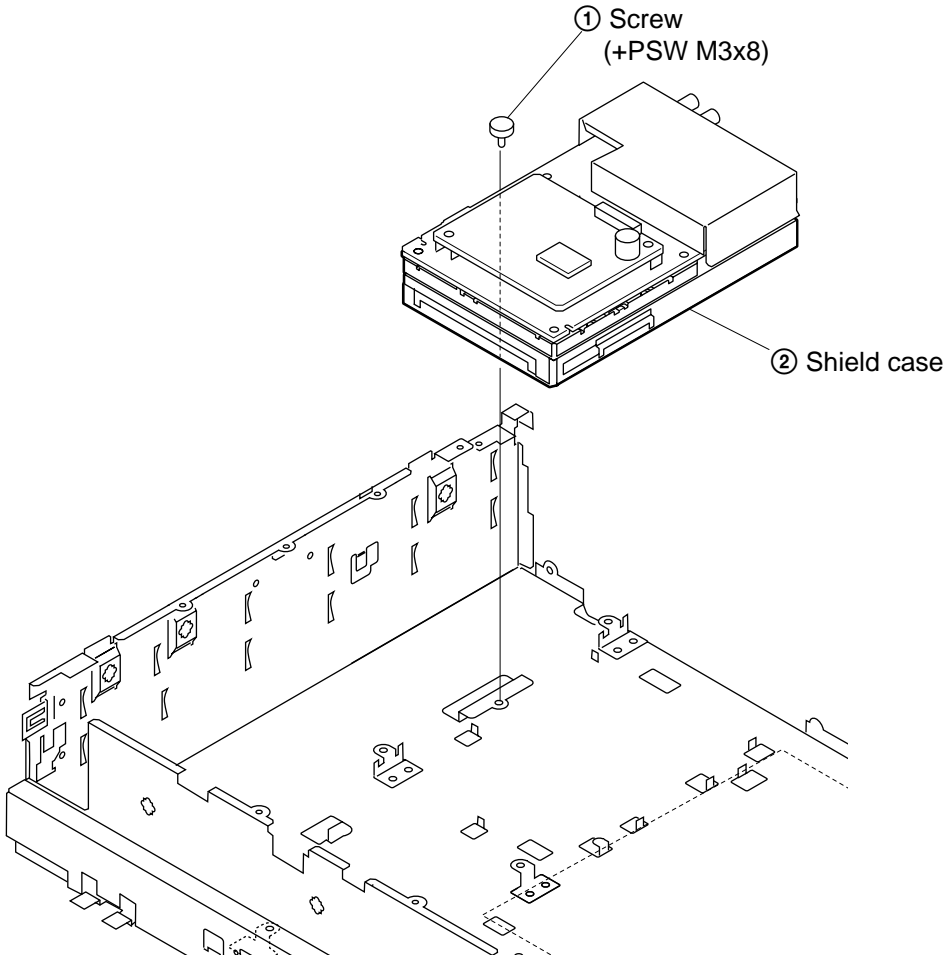
**1-2-7. A BOARD REMOVAL**



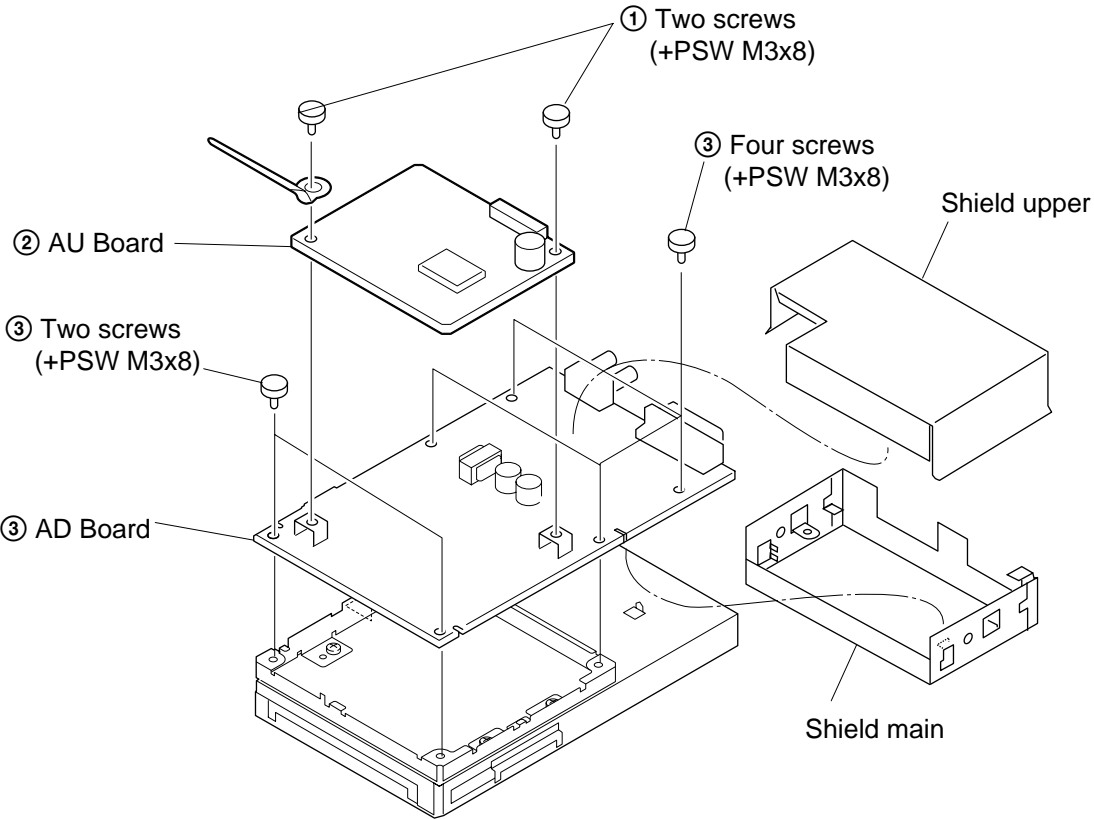
**1-2-8. B BLOCK ASSY REMOVAL**



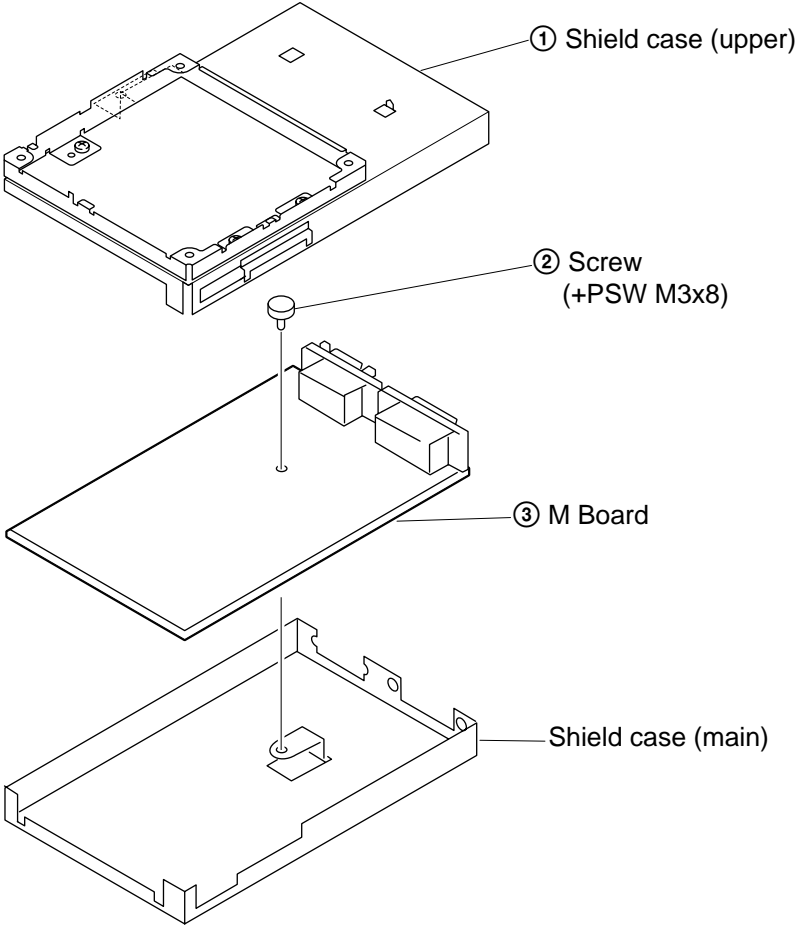
**1-2-9. M, AD, AND AU BOARDS BLOCK REMOVAL**



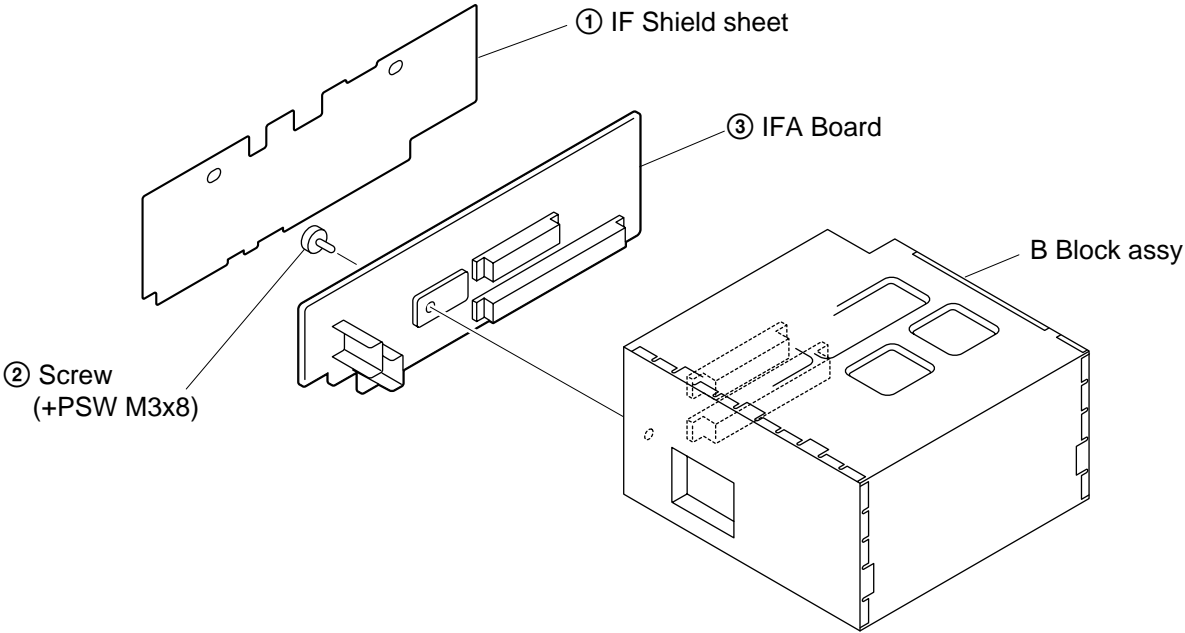
**1-2-10. AD AND AU BOARDS REMOVAL**



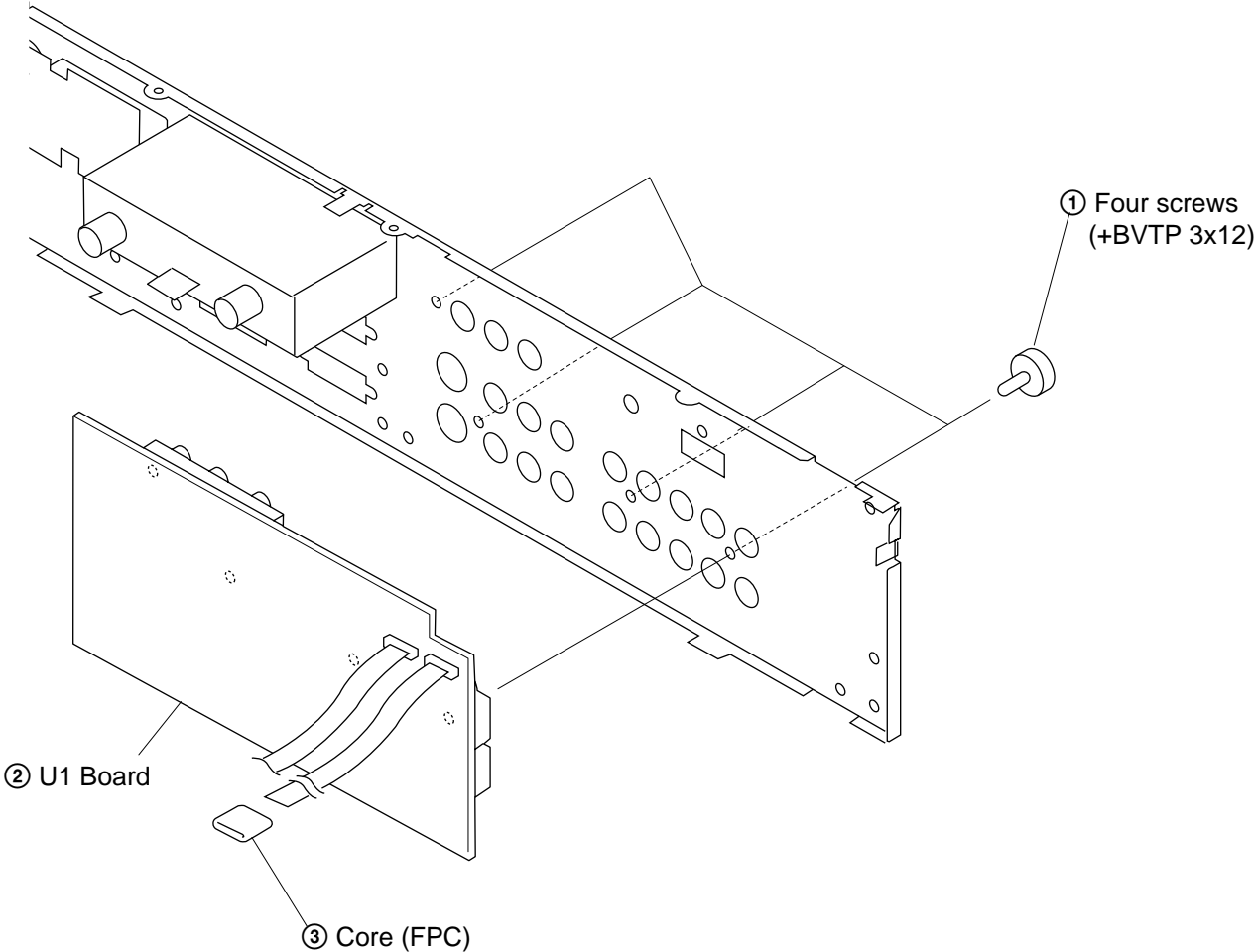
**1-2-11. M BOARD REMOVAL**



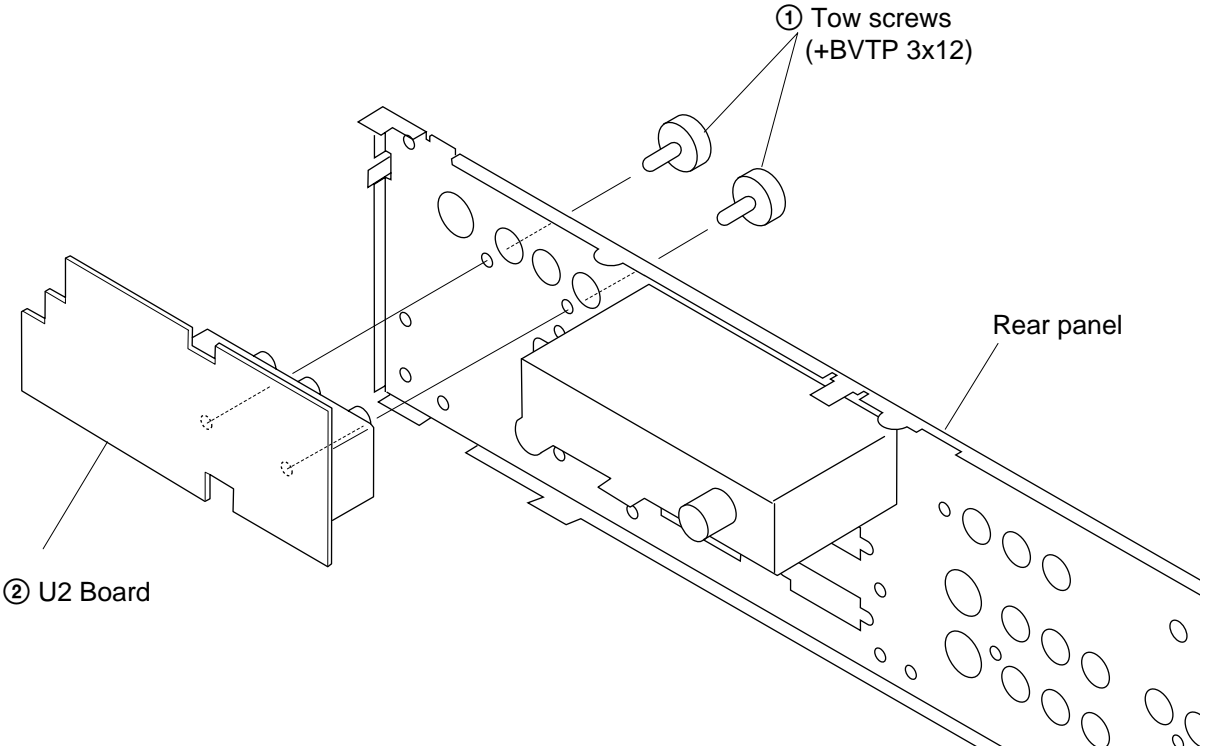
**1-2-12. IFA BOARD REMOVAL**



**1-2-13. U1 BOARD REMOVAL**



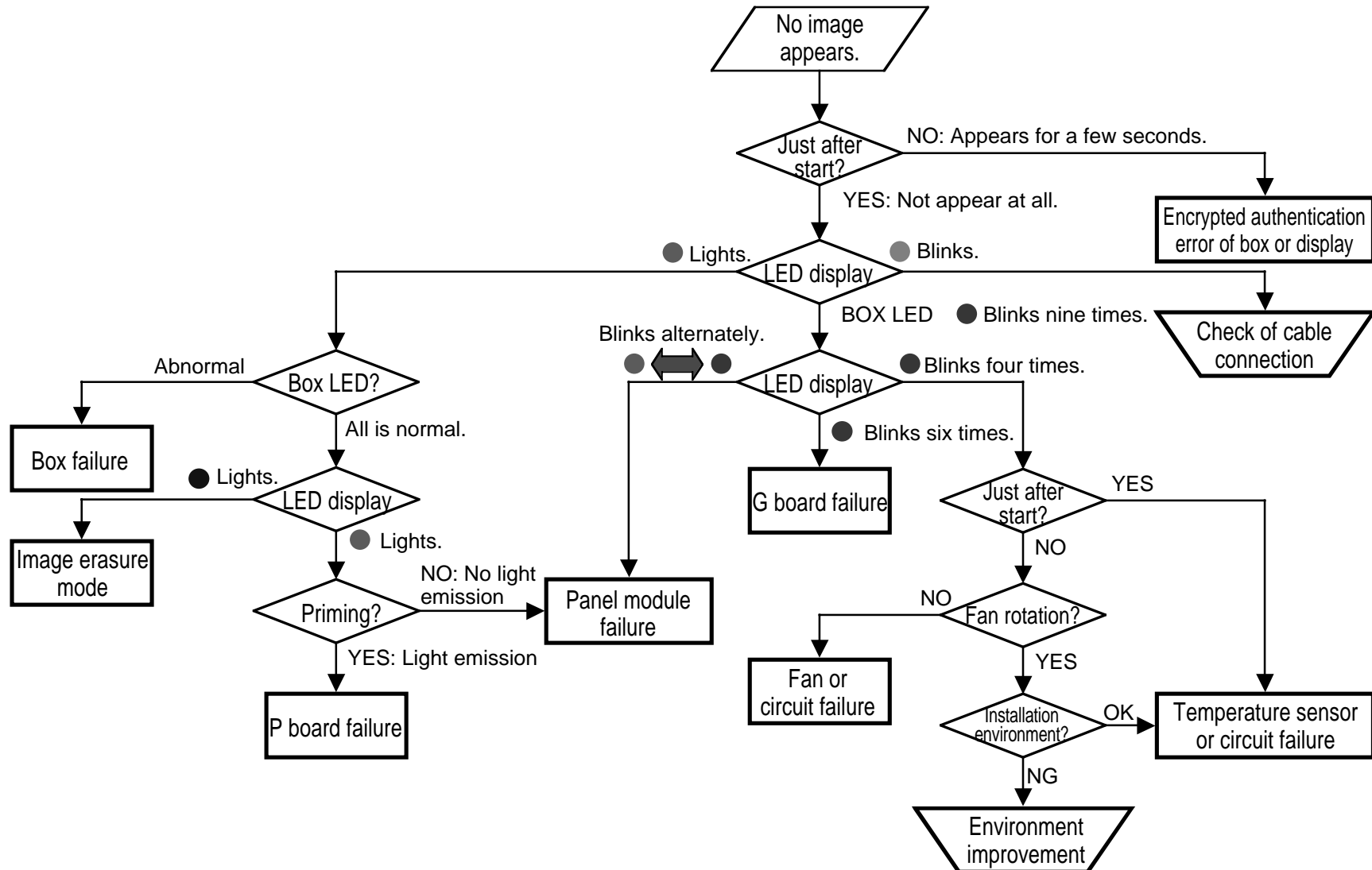
**1-2-14. U2 BOARD REMOVAL**



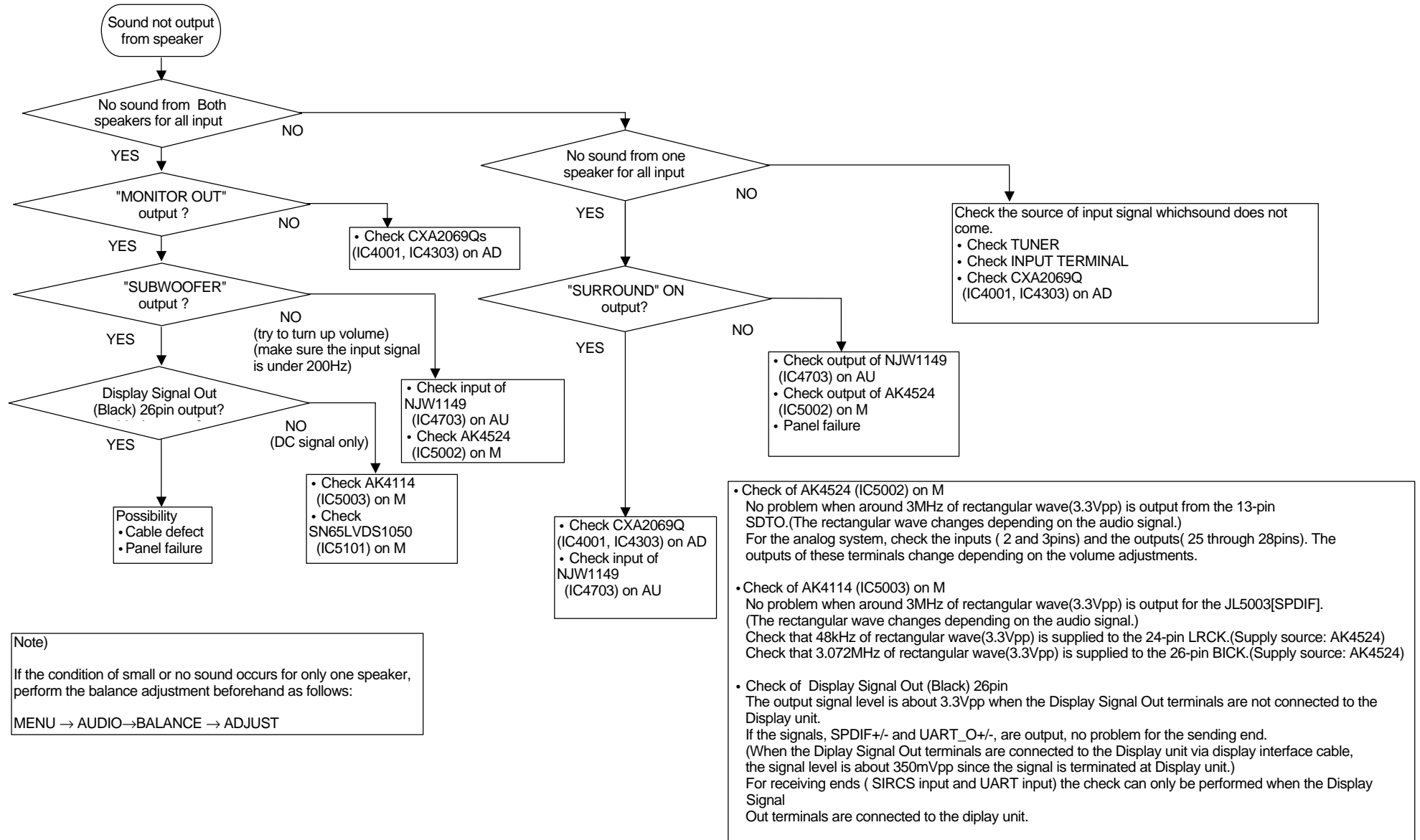


# SECTION 2 TROUBLESHOOTING

## 2-1. DISPLAY UNIT (LDM-3000)



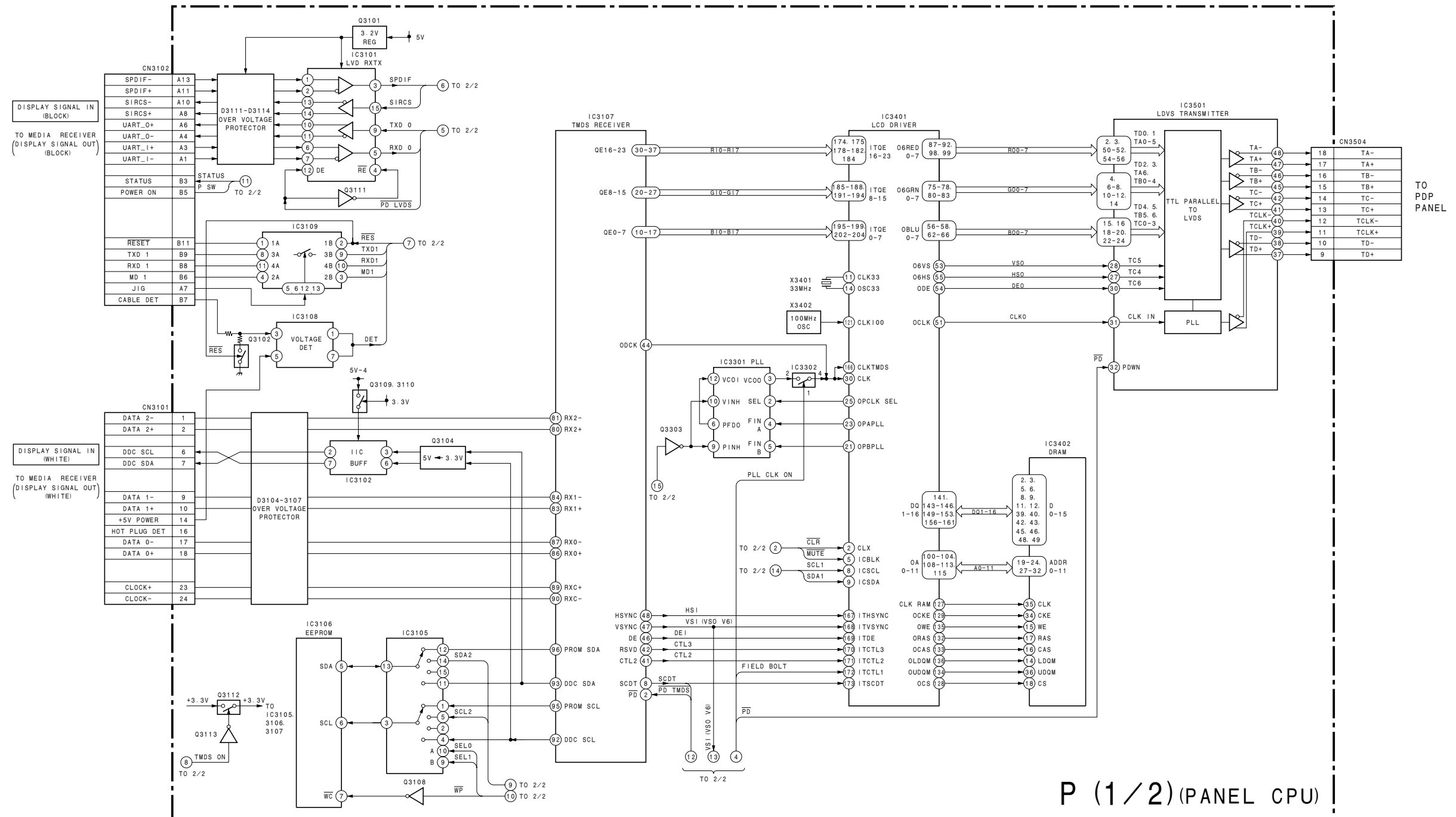
## 2-2. MEDIA RECEIVER UNIT (MBT-XBR900L)

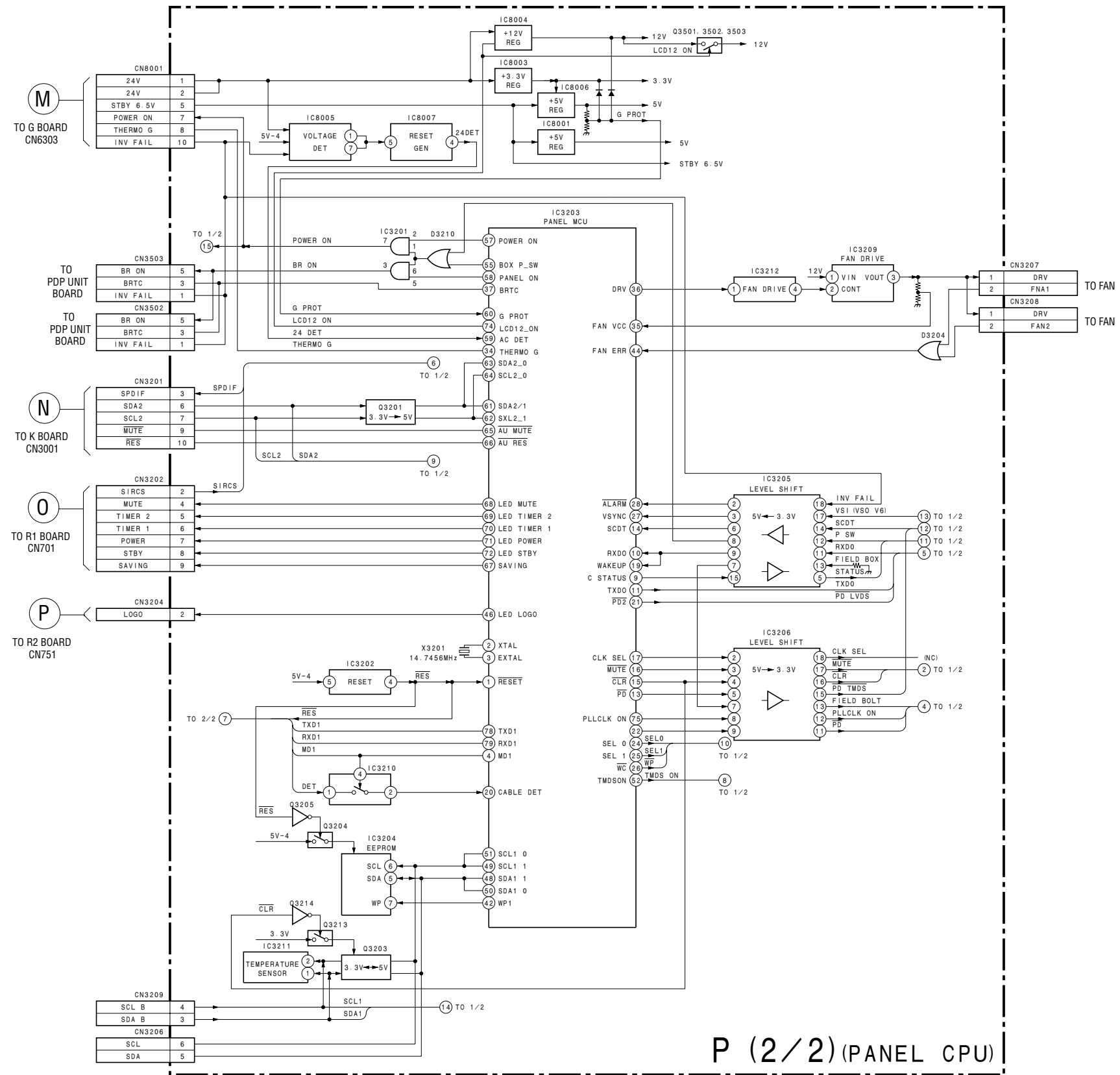


# SECTION 3 DIAGRAMS

## 3-1. BLOCK DIAGRAMS

### 3-1-1. DISPLAY UNIT (LDM-3000)

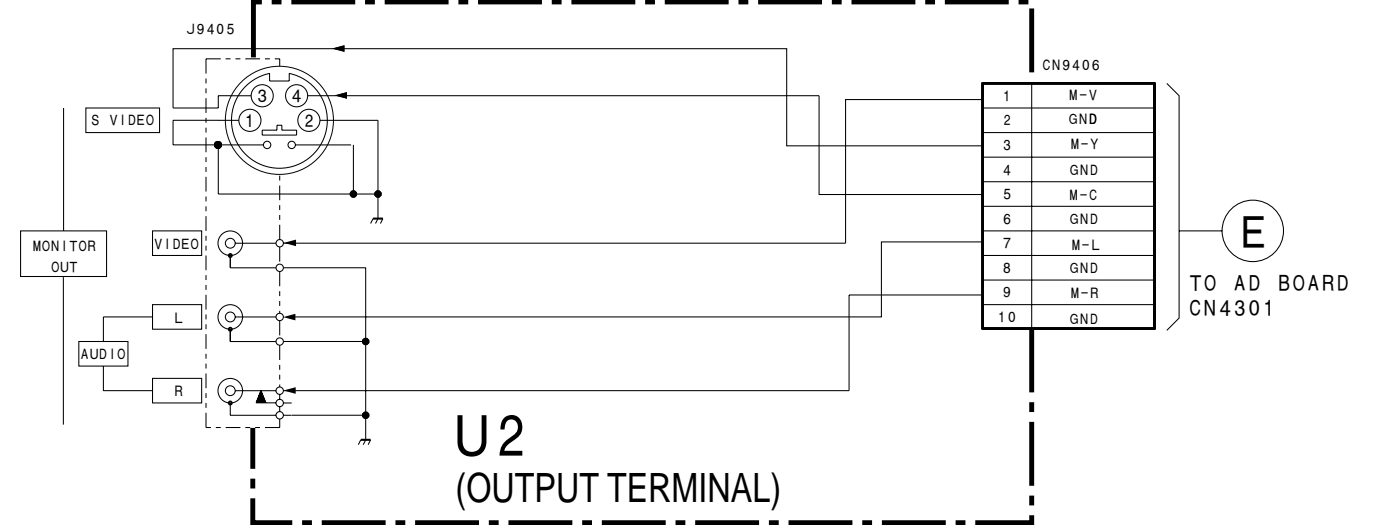
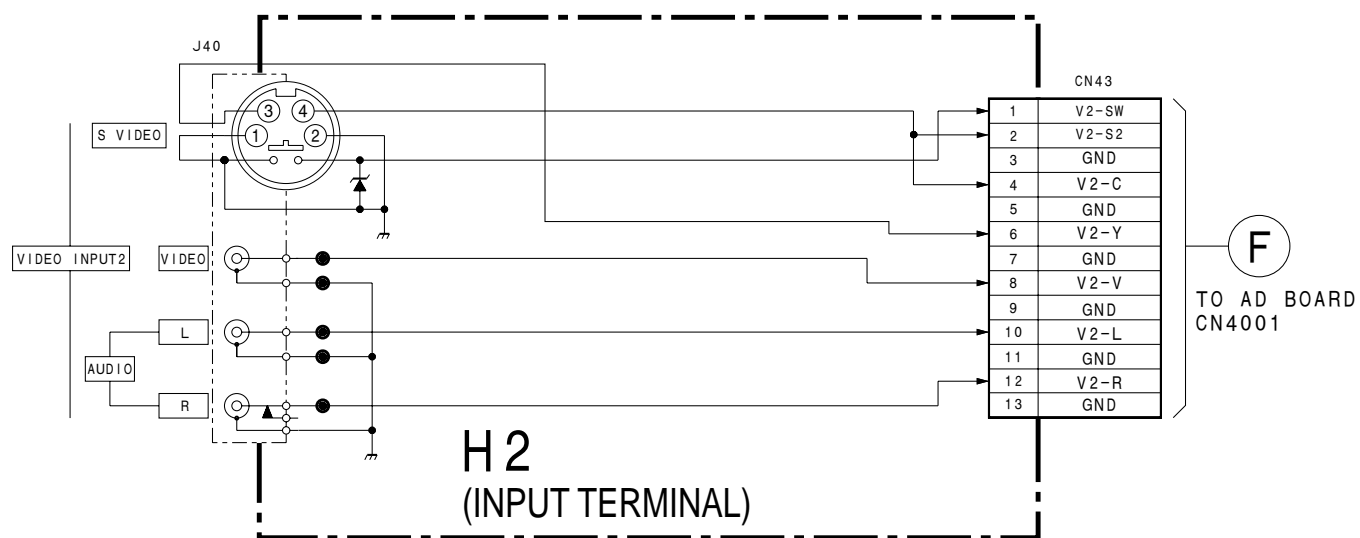
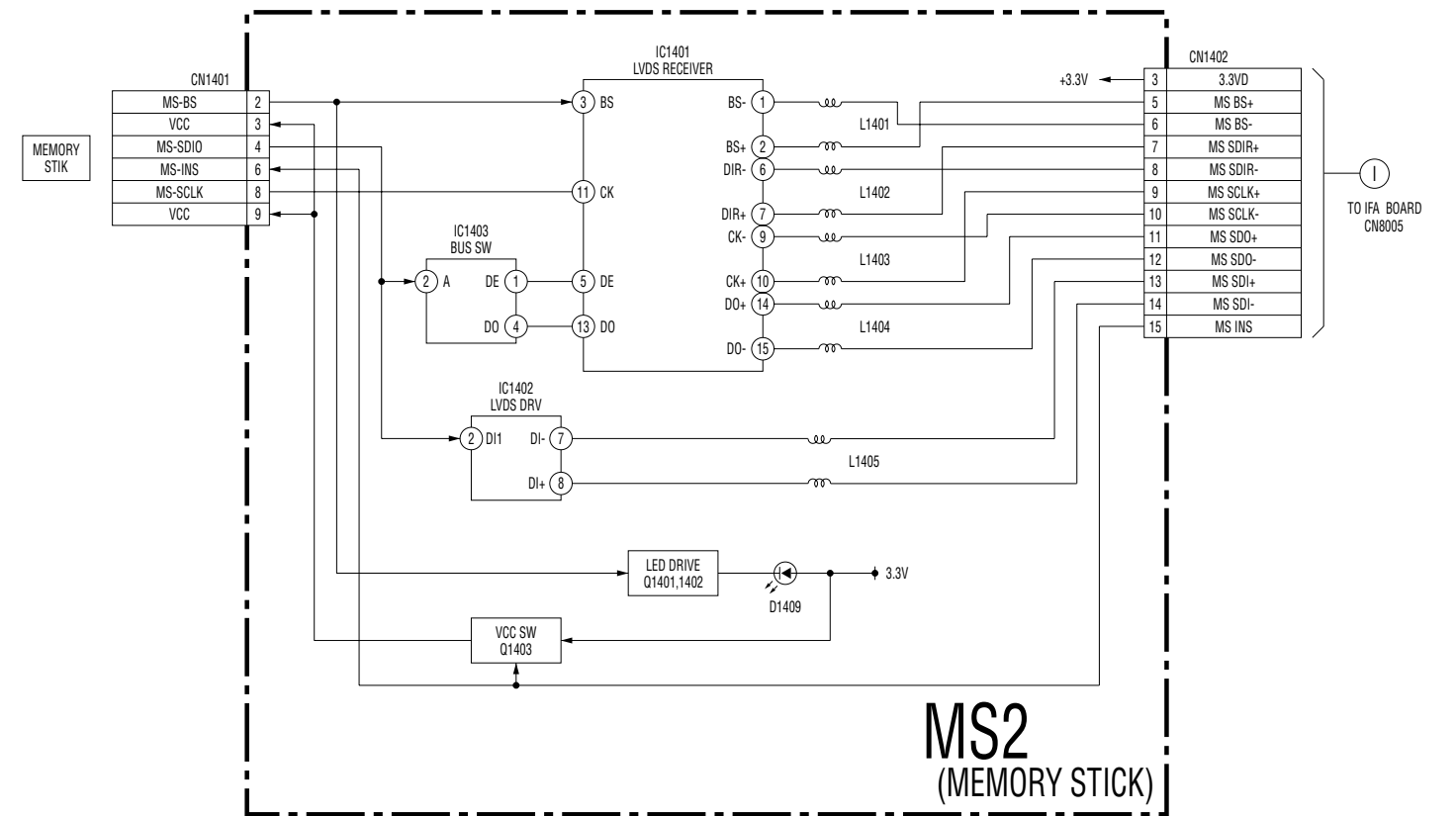
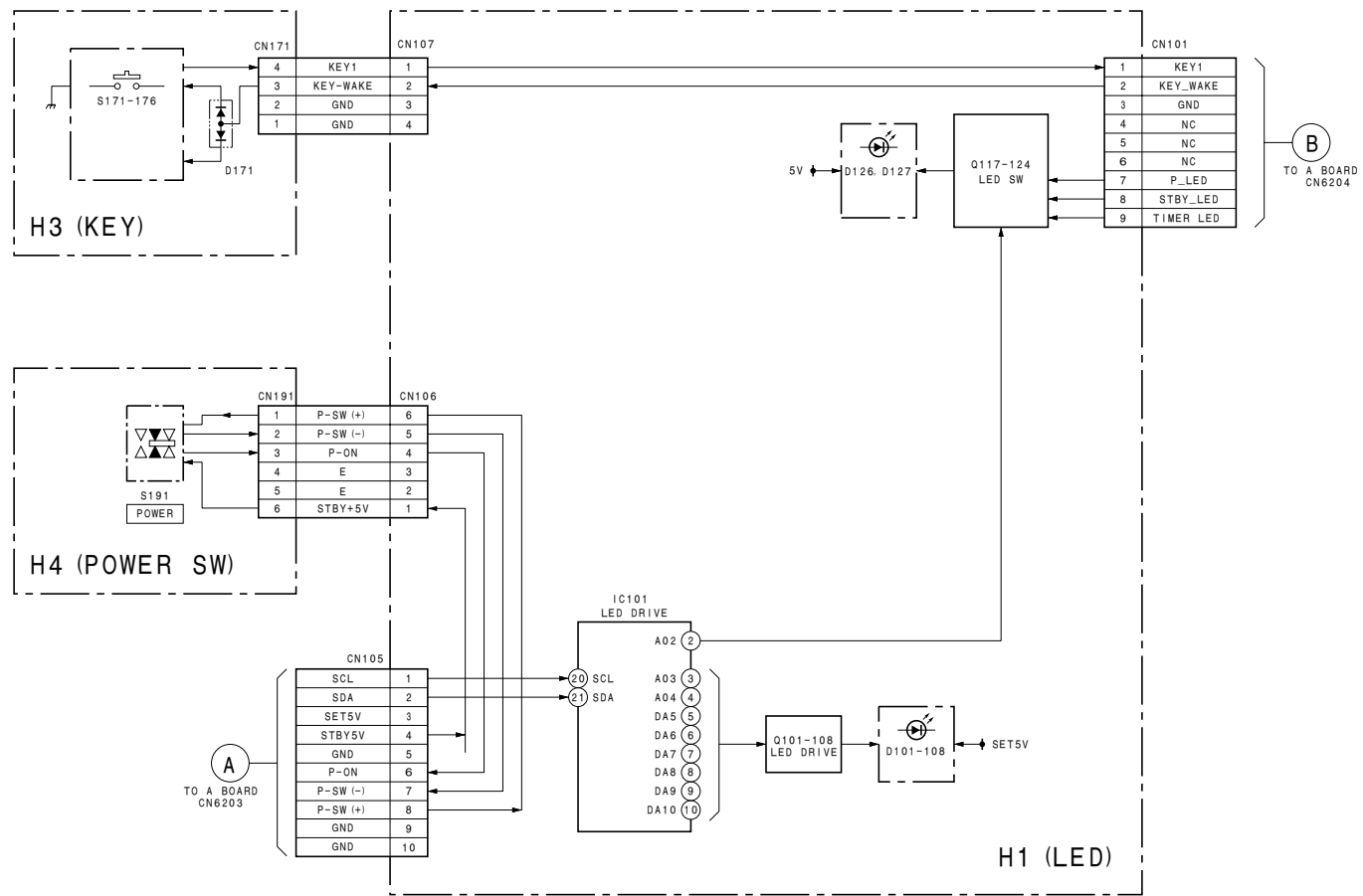


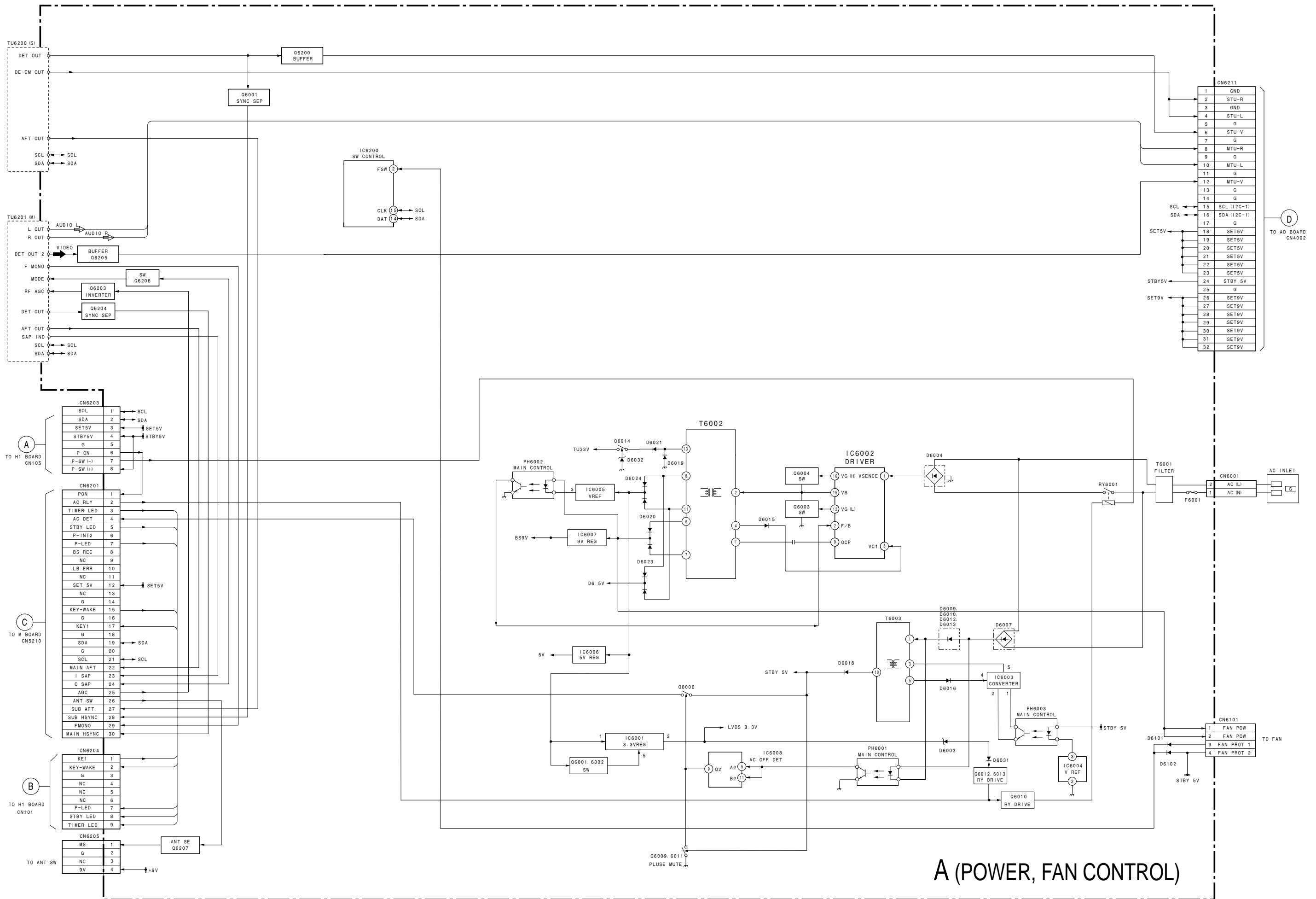






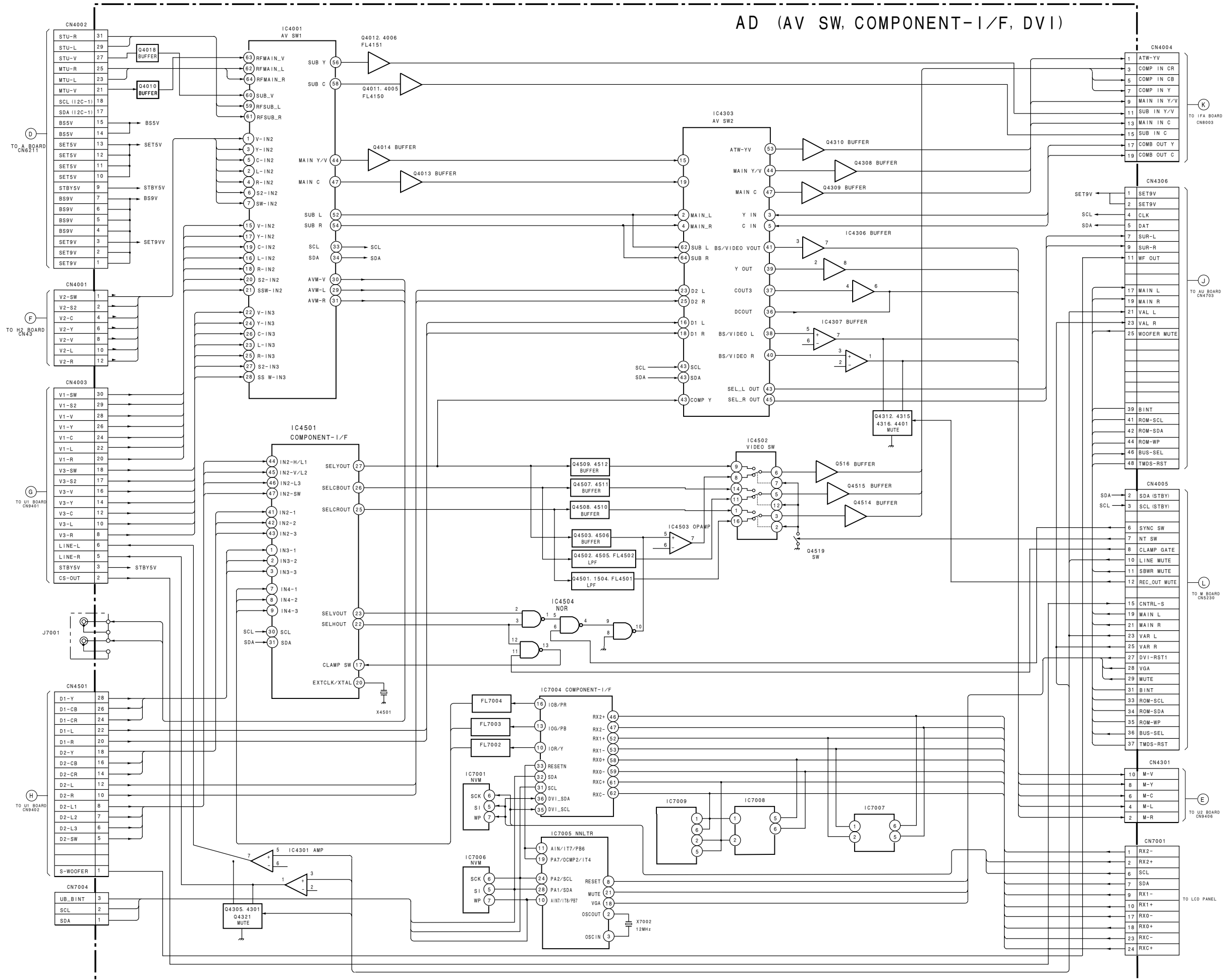
### 3-1-2. MEDIA RECEIVER UNIT (MBT-XBR900L)





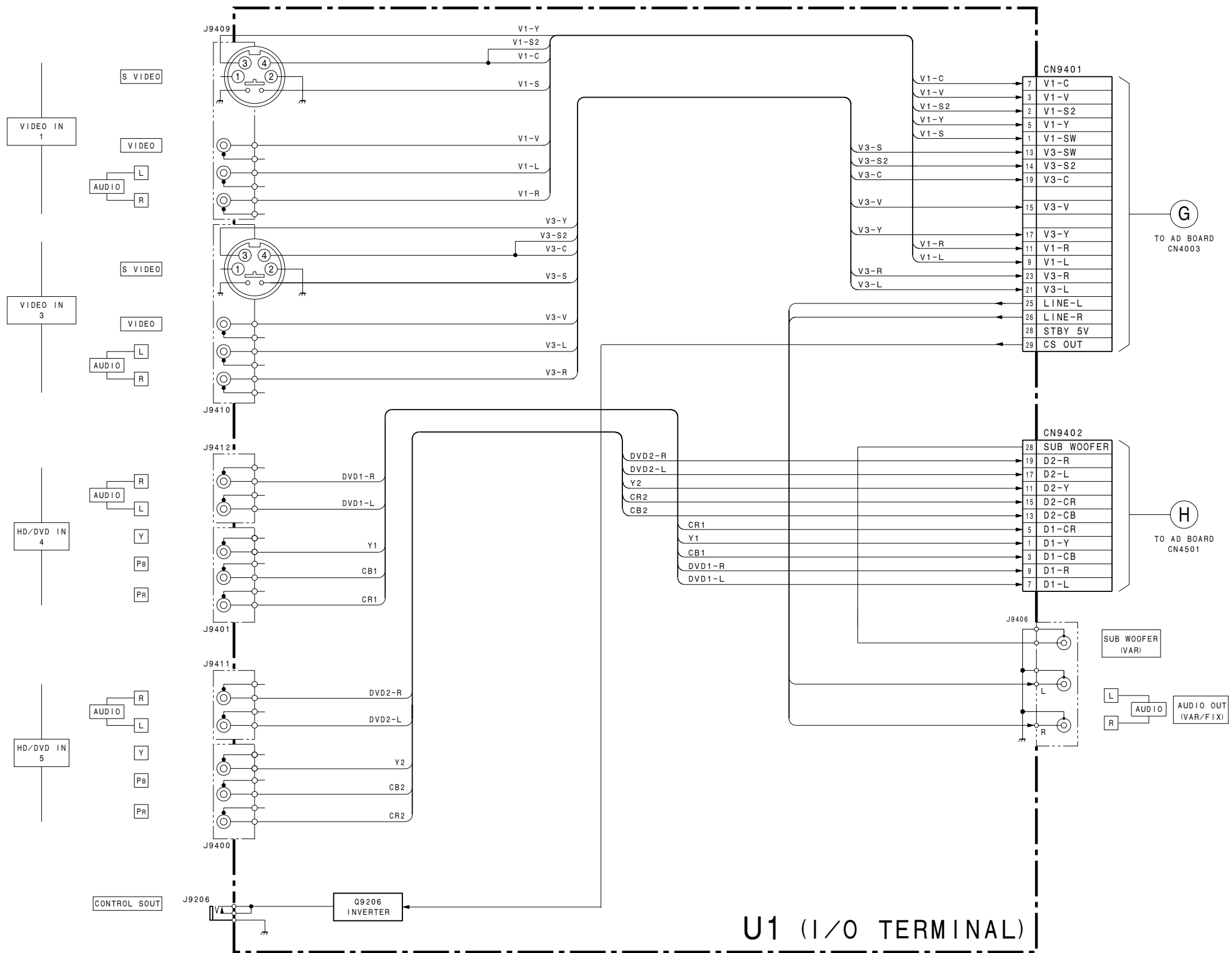


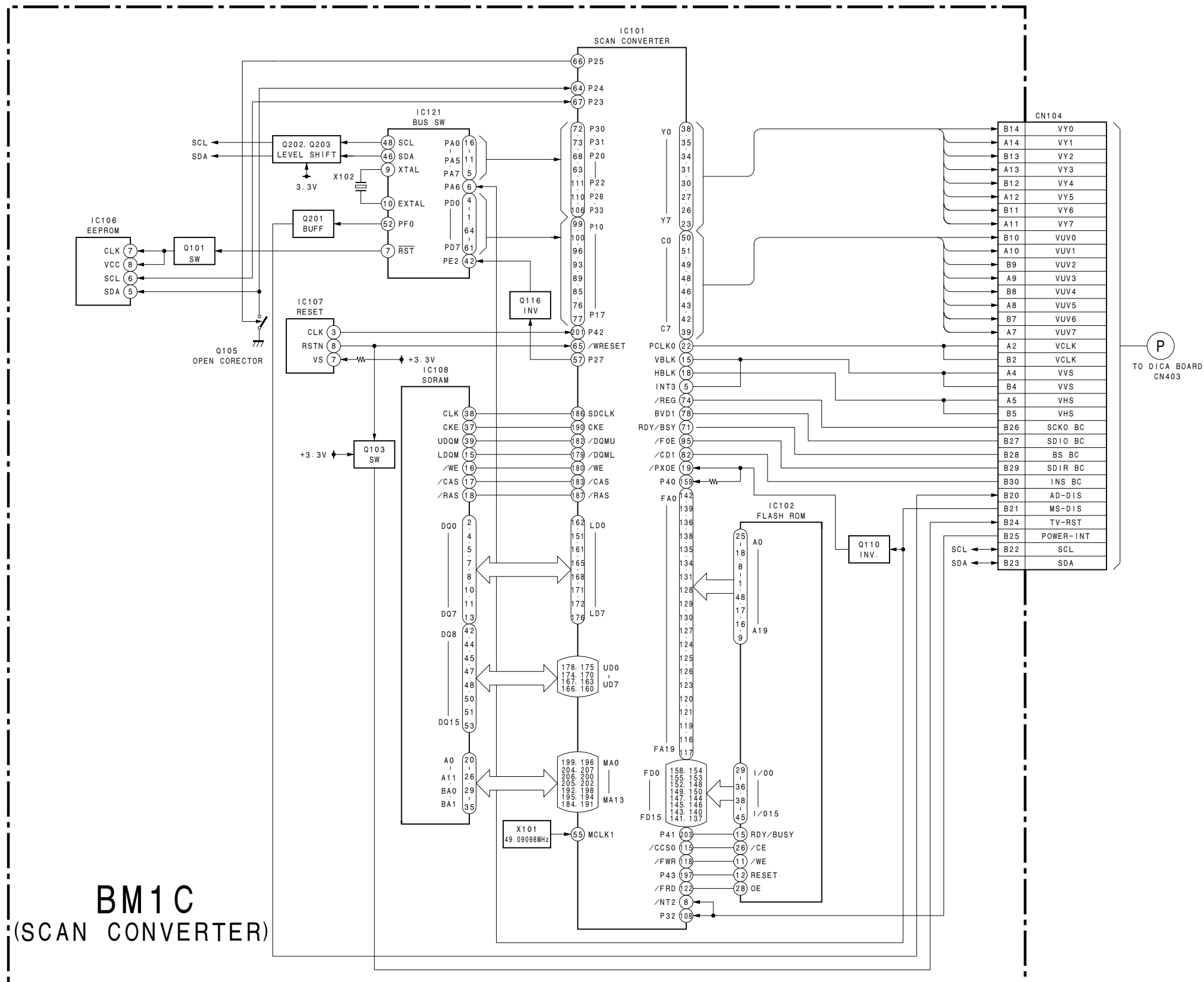
# AD (AV SW, COMPONENT-1/F, DVI)

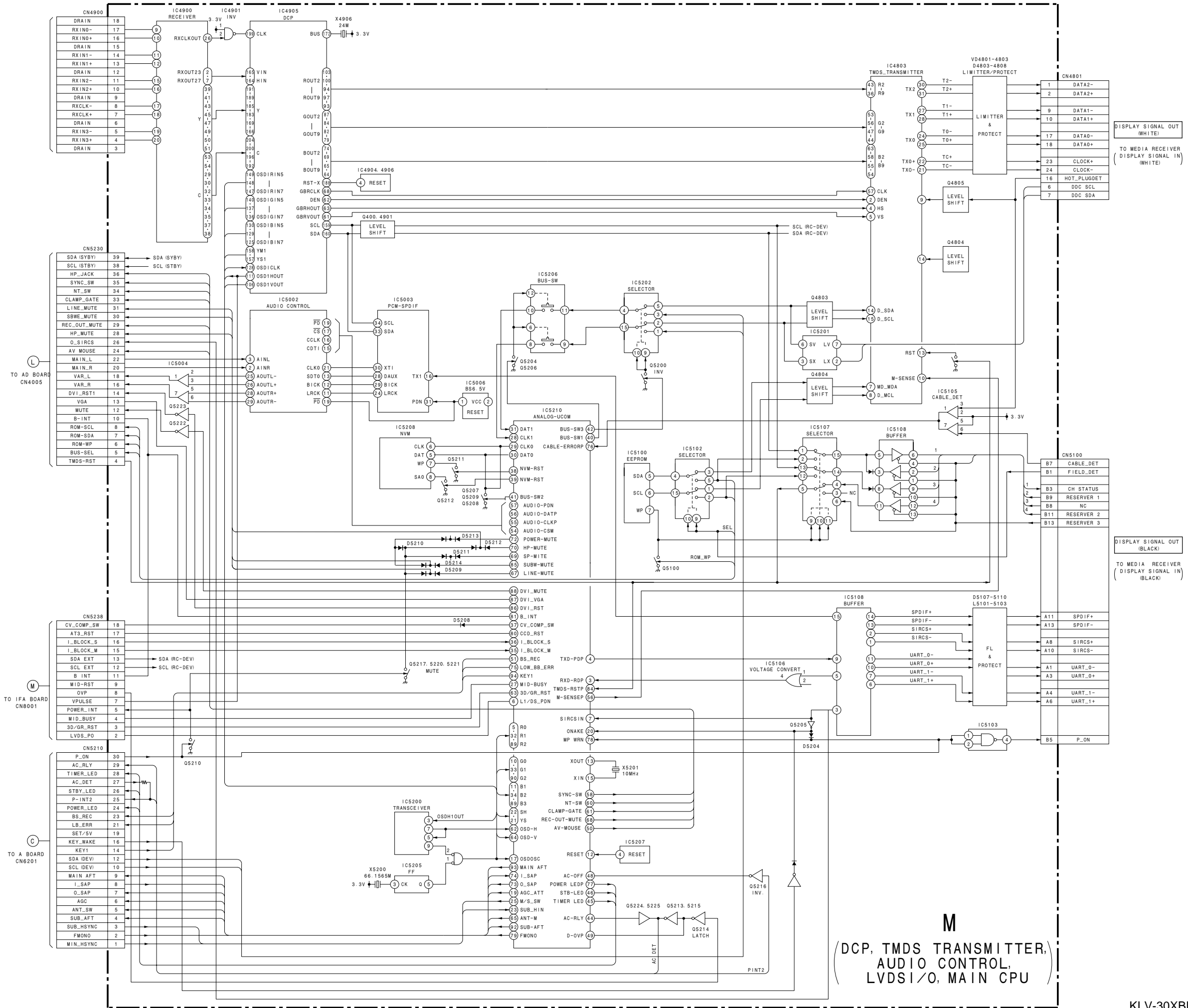


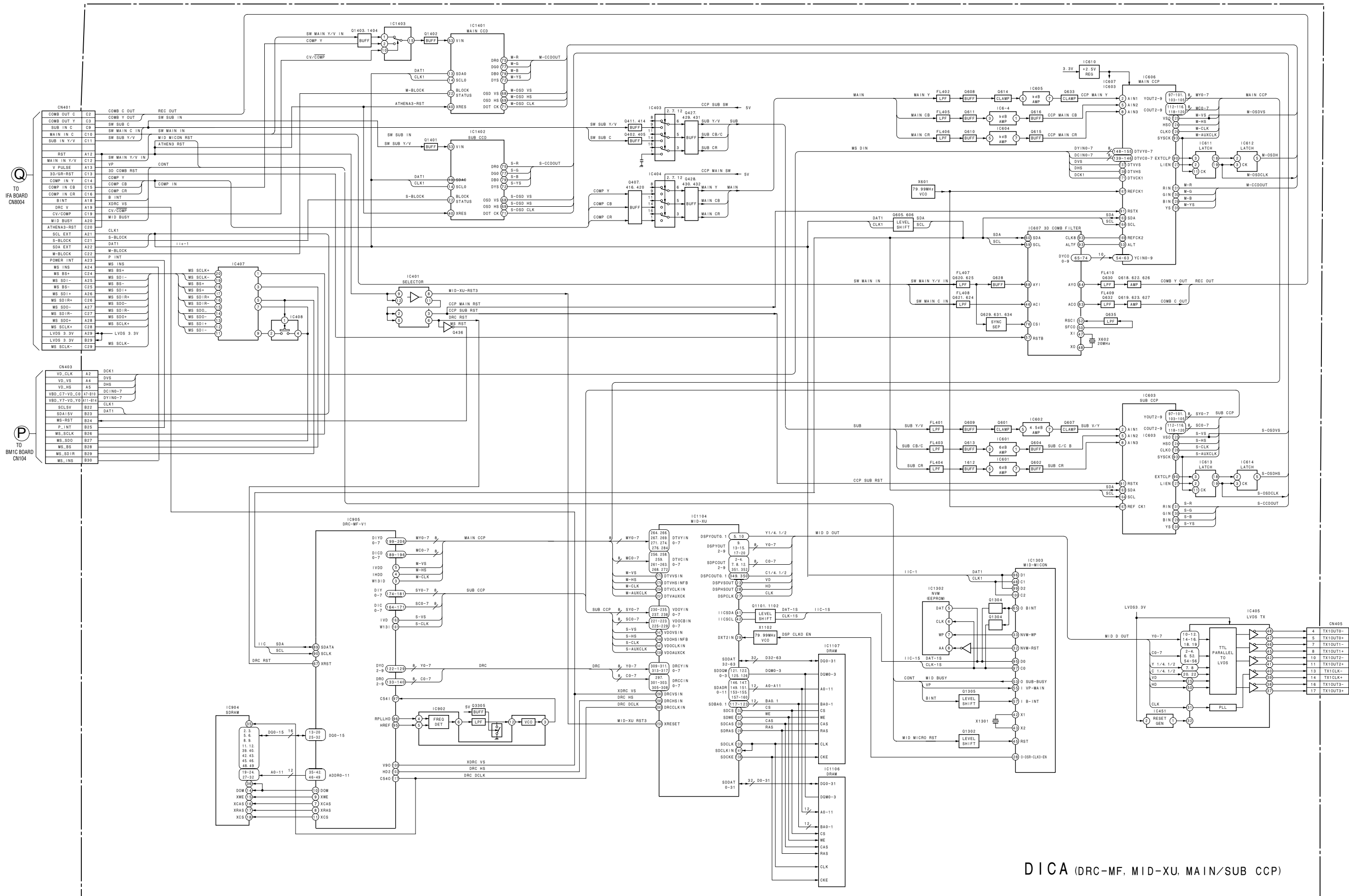










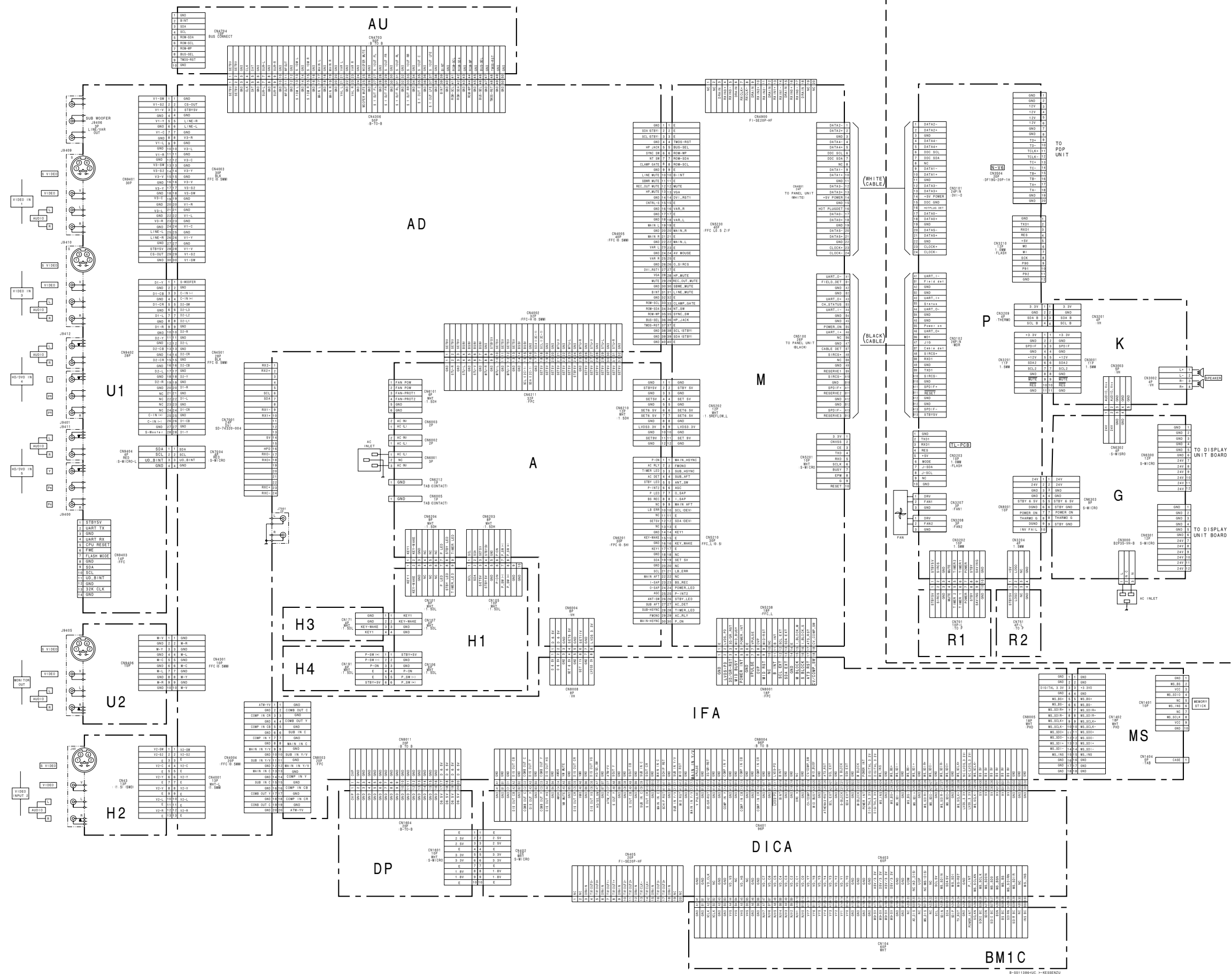


DICA (DRC-MF, MID-XU, MAIN/SUB CCP)

# 3-2. FRAME DIAGRAM

## MEDIA RECEIVER UNIT (MBT-XBR900L)

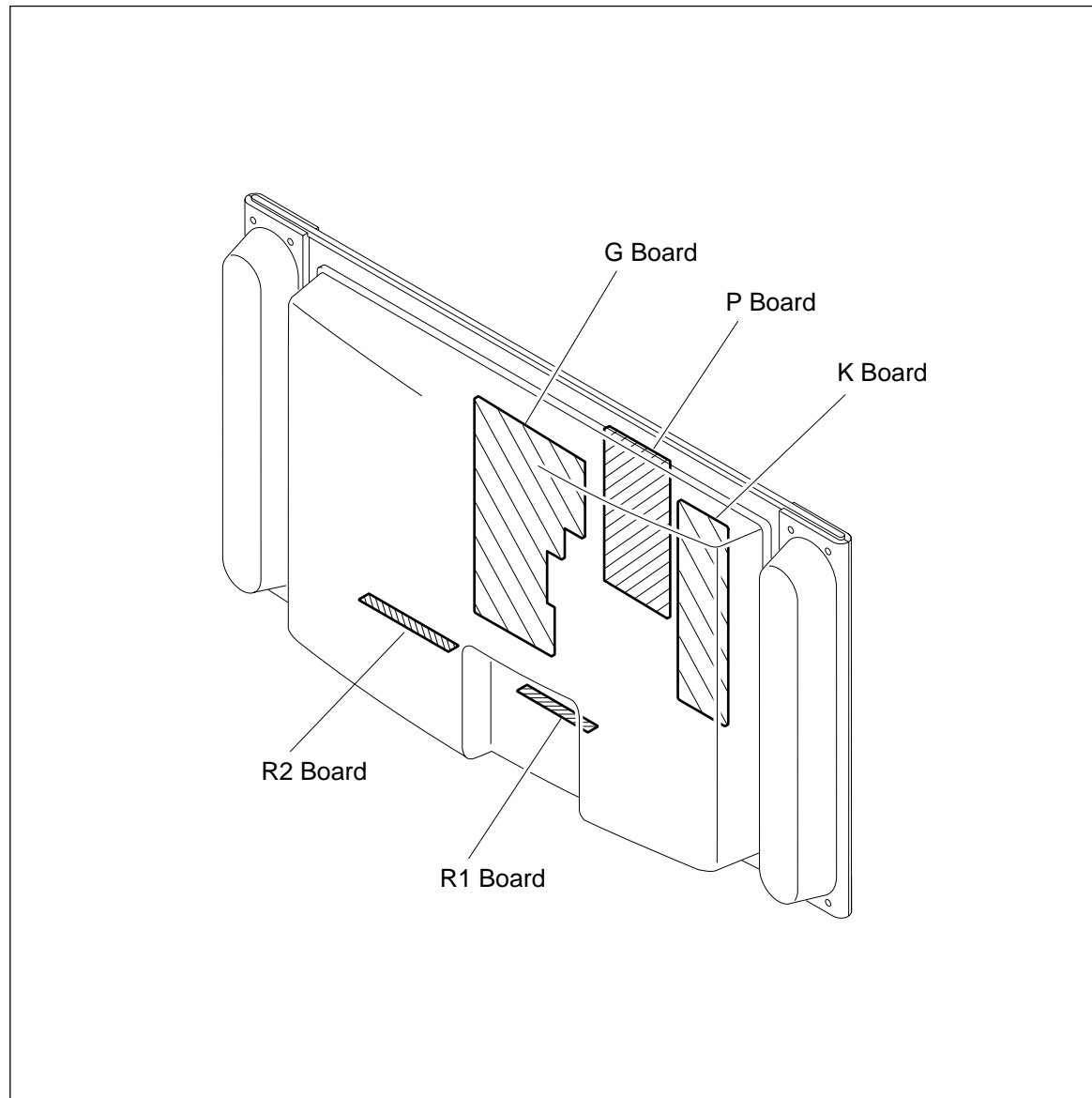
## DISPLAY UNIT (LDM-3000)



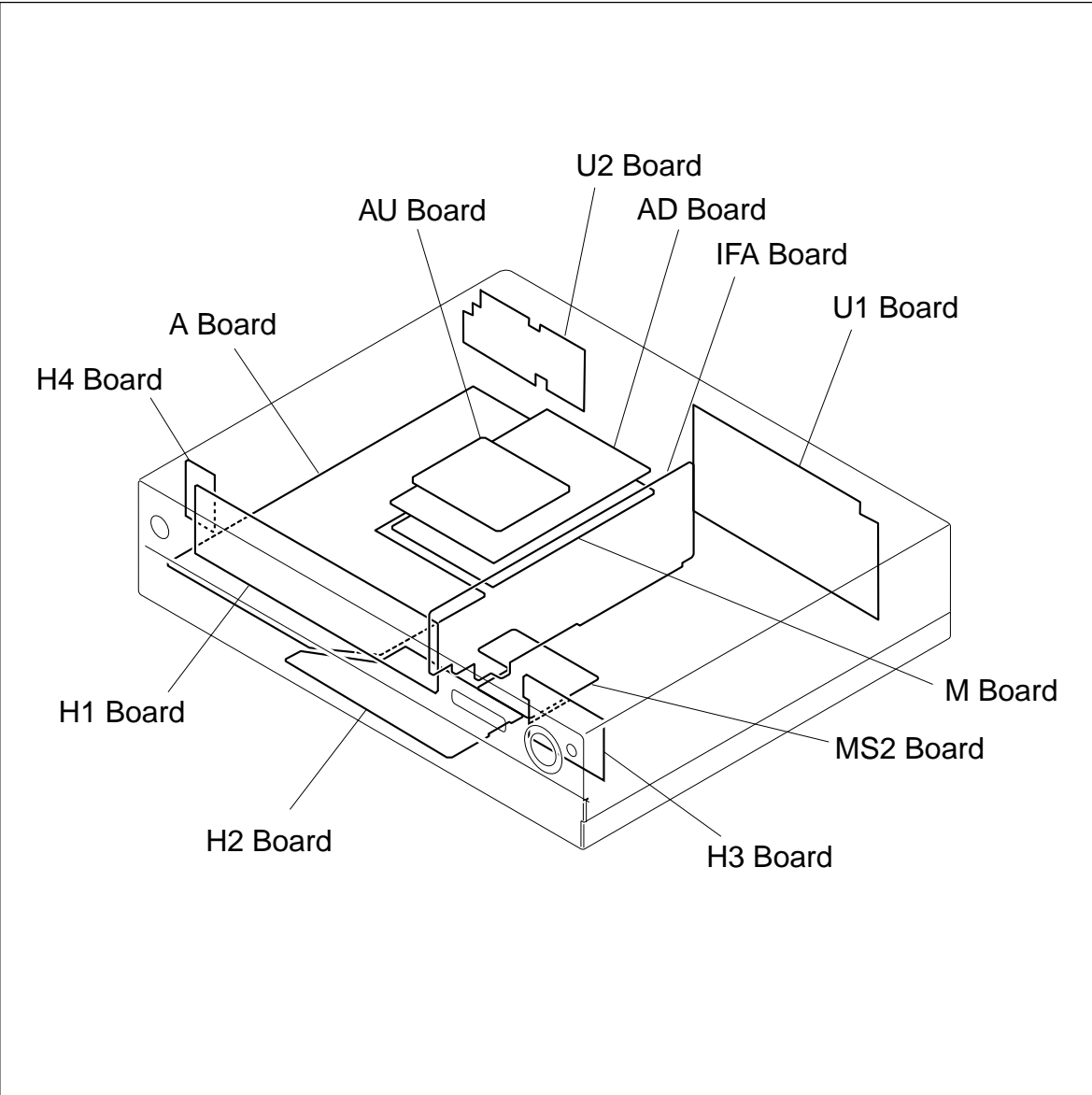


### 3-3. CIRCUIT BOARDS LOCATION

#### 3-3-1. DISPLAY UNIT (LDM-3000)



**3-3-2. MEDIA RECEIVER UNIT (MBT-XBR900L)**




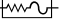
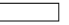
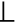
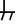


# 3-4. SCHEMATIC DIAGRAMS AND PRINTED WIRING BOARDS

**Note:**

- All capacitors are in  $\mu\text{F}$  unless otherwise noted. (pF:  $\mu\text{pF}$ )  
Capacitors without voltage indication are all 50 V.
- Indication of resistance, which does not have one for rating electrical power, is as follows.

Pitch: 5 mm

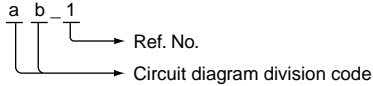
Rating electrical power 1/4 W (CHIP : 1/10 W)

- All resistors are in ohms.
-  : nonflammable resistor.
-  : fusible resistor.
- $\triangle$  : internal component.
-  : panel designation, and adjustment for repair.
- All variable and adjustable resistors have characteristic curve B, unless otherwise noted.
-  : earth-ground.
-  : earth-chassis.
- When replacing the part in below table, be sure to perform the related adjustment.
- All voltages are in V.
- Readings are taken with a 10 M digital multimeter.
- Readings are taken with a color-bar signal input.
- Voltage variations may be noted due to normal production tolerances.
- \* : Can not be measured.
- Circled numbers are waveform references.
-  : B + bus.
-  : B - bus.


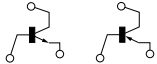

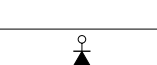

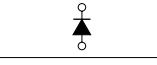

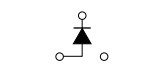


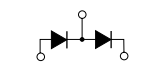


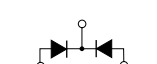


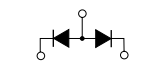


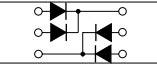

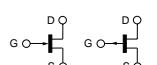


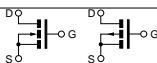


**Note: The components identified by shading and mark  $\triangle$  are critical for safety. Replace only with part number specified.**

**Note: Les composants identifiés par un tramé et une marque  $\triangle$  sont critiques pour la sécurité. Ne les remplacer que par une pièce portant le numéro spécifié.**

- Divided circuit diagram  
Schematic diagrams of A, AD, BM1C, DICA, G, M and P boards are divided into several pieces, each having the code A-(a) to A-(b).  
For example, the destination (ab\_1) on the code A-(a) sheet is connected to (ab\_1) on the A-(b) sheet.



## Terminal name of semiconductors in silk screen printed circuit (\* )

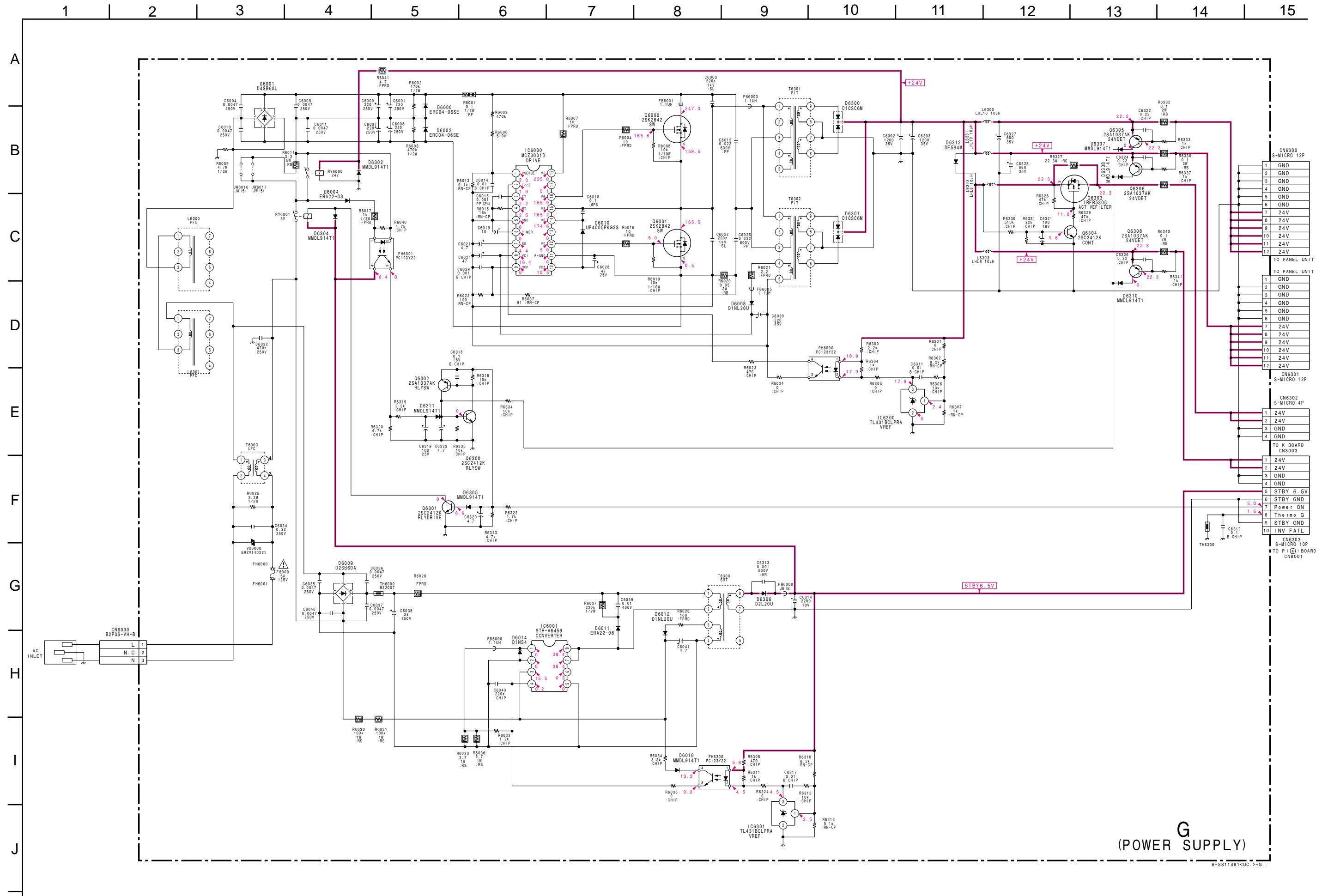
	Device	Printed symbol	Terminal name	Circuit
①	Transistor		Collector Base Emitter	
②	Transistor		Collector Base Emitter	
③	Diode		Cathode Anode	
④	Diode		Cathode Anode (NC)	
⑤	Diode		Cathode Anode (NC)	
⑥	Diode		Common Anode Cathode	
⑦	Diode		Common Anode Cathode	
⑧	Diode		Common Anode Anode	
⑨	Diode		Common Anode Anode	
⑩	Diode		Common Cathode Cathode	
⑪	Diode		Common Cathode Cathode	
⑫	Diode		Anode Anode Cathode Cathode	
⑬	Transistor (FET)		Drain Source Gate	
⑭	Transistor (FET)		Drain Source Gate	
⑮	Transistor (FET)		Source Drain Gate	
⑯	Transistor		Emitter Collector Base	
-	Discrete semiconductot			

(Chip semiconductors that are not actually used are included.)

Ver.1.6

# 3-4-1. DISPLAY UNIT (LDM-3000)

## (1) Schematic Diagram of G Board

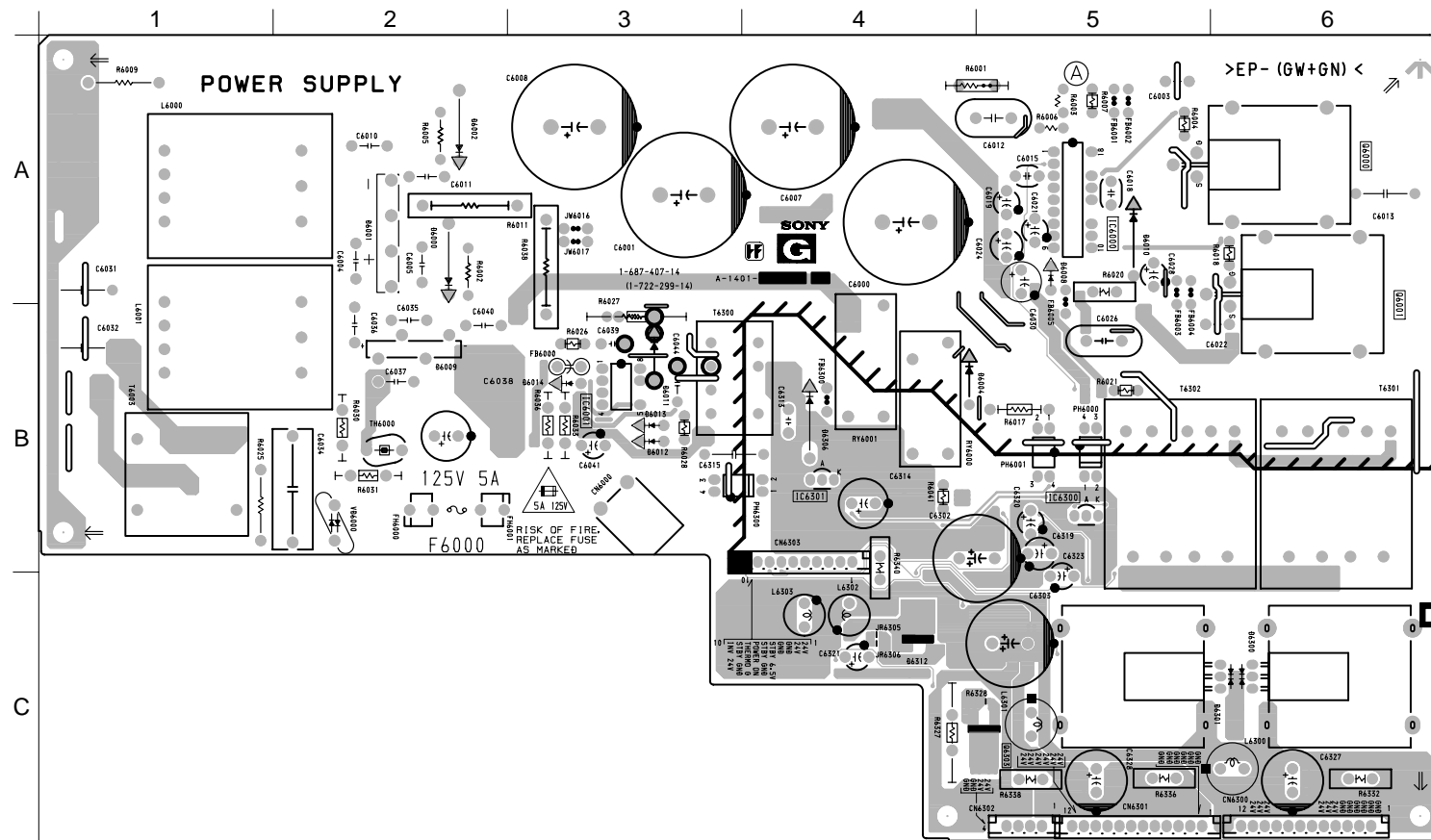


**G**  
(POWER SUPPLY)

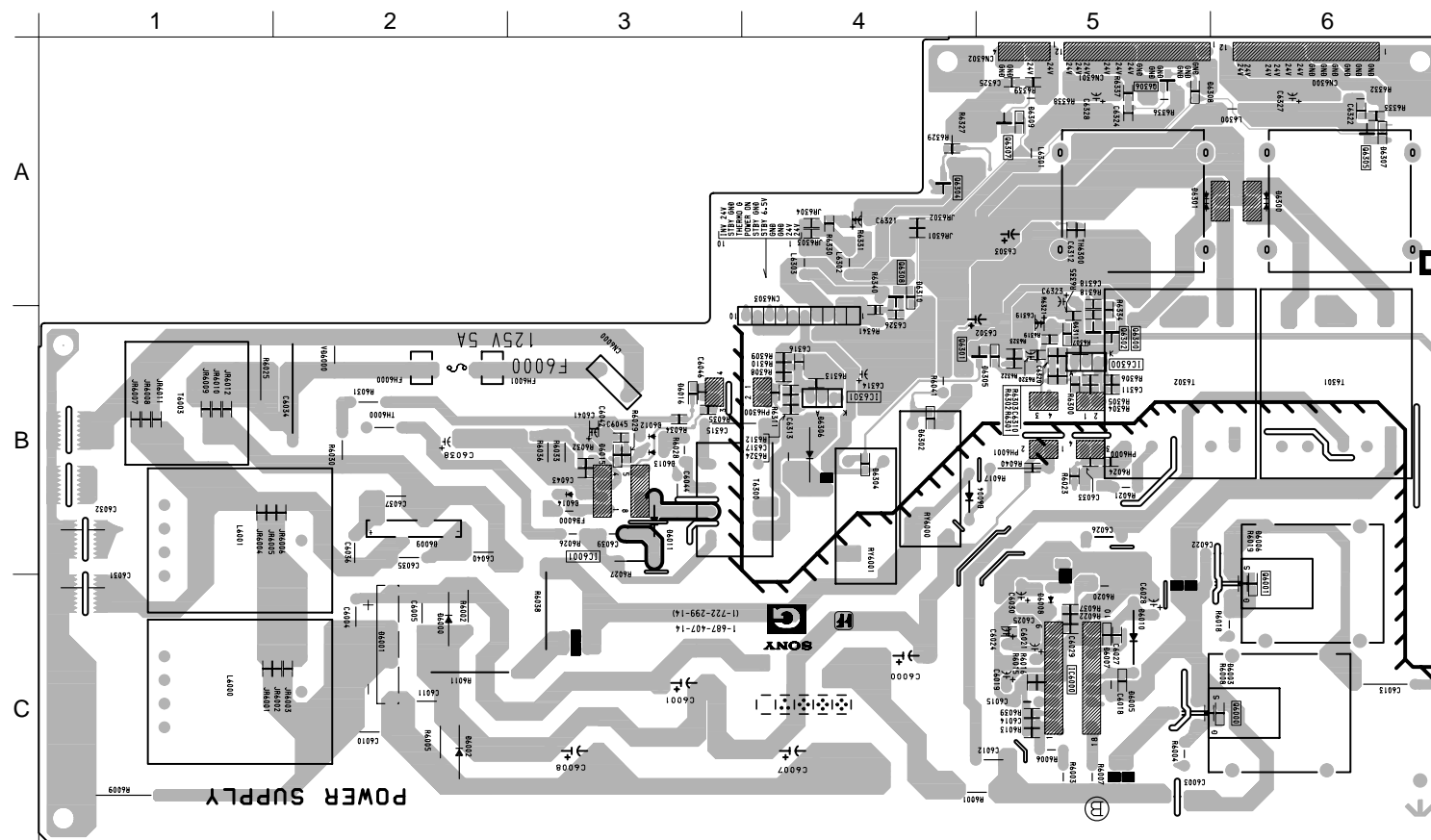
B-8511481<UC> >G

**G** [POWER SUPPLY]

— G BOARD —



<COMPONENT SIDE>



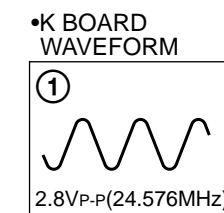
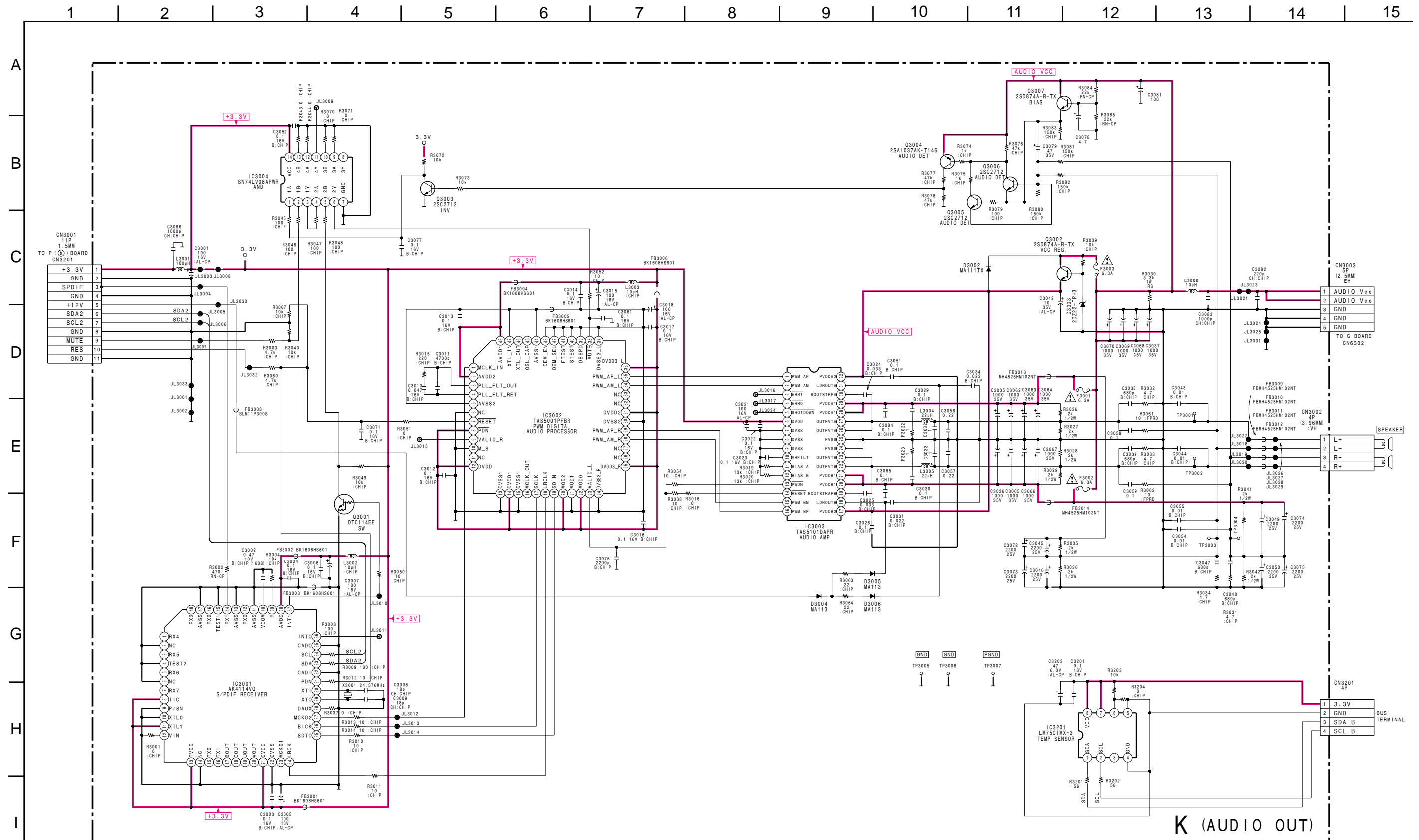
<CONDUCTOR SIDE>

• G BOARD SEMICONDUCTOR LOCATION

IC		
(COMPONENT SIDE)	(CONDUCTOR SIDE)	
IC6000	A-5	
IC6001	B-3	
IC6300	B-5	
IC6301	B-4	
TRANSISTOR		
(COMPONENT SIDE)	(CONDUCTOR SIDE)	*
Q6000	A-5	-
Q6001	A-5	-
Q6300	B-5	①
Q6301	B-5	①
Q6302	B-5	①
Q6303	C-5	-
Q6304	A-4	①
Q6305	A-6	①
Q6306	A-5	①
Q6308	A-4	①
DIODE		
(COMPONENT SIDE)	(CONDUCTOR SIDE)	*
D6000	A-2	-
D6001	A-2	-
D6002	A-2	-
D6004	B-4	-
D6008	A-5	-
D6009	B-2	-
D6010	A-5	-
D6011	B-3	-
D6012	B-3	-
D6014	B-3	-
D6016	B-3	③
D6300	C-6	-
D6301	C-6	-
D6302	B-4	③
D6304	B-4	③
D6305	B-5	③
D6306	B-4	-
D6307	A-6	③
D6308	A-5	③
D6310	A-4	③
D6311	B-5	③
D6312	C-4	-

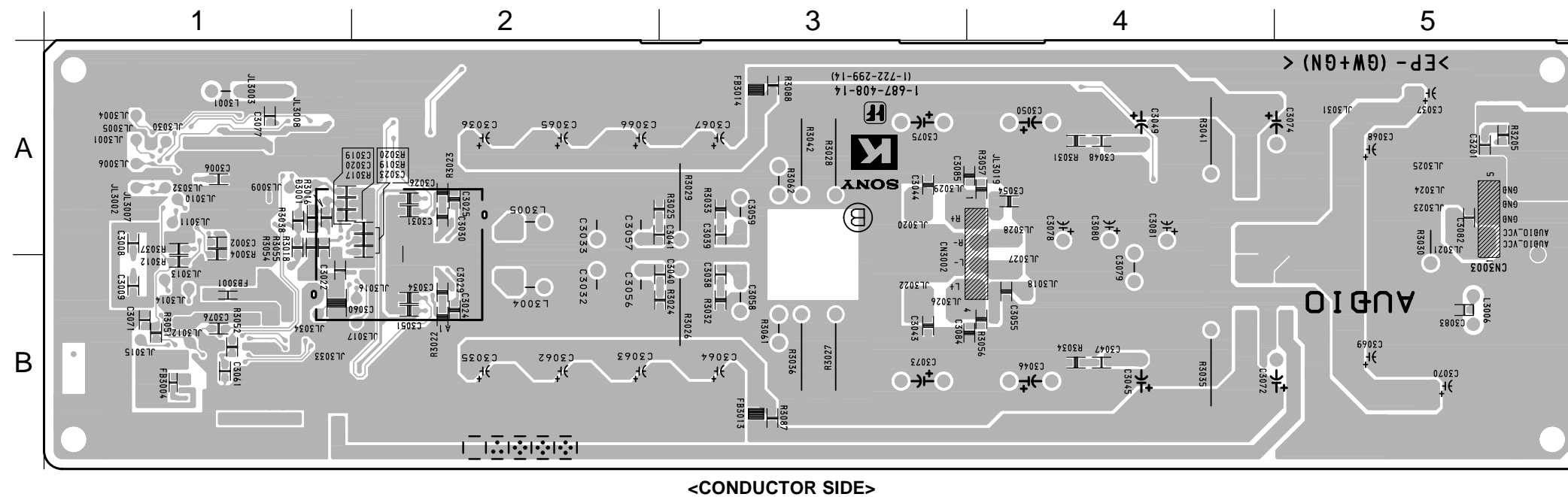
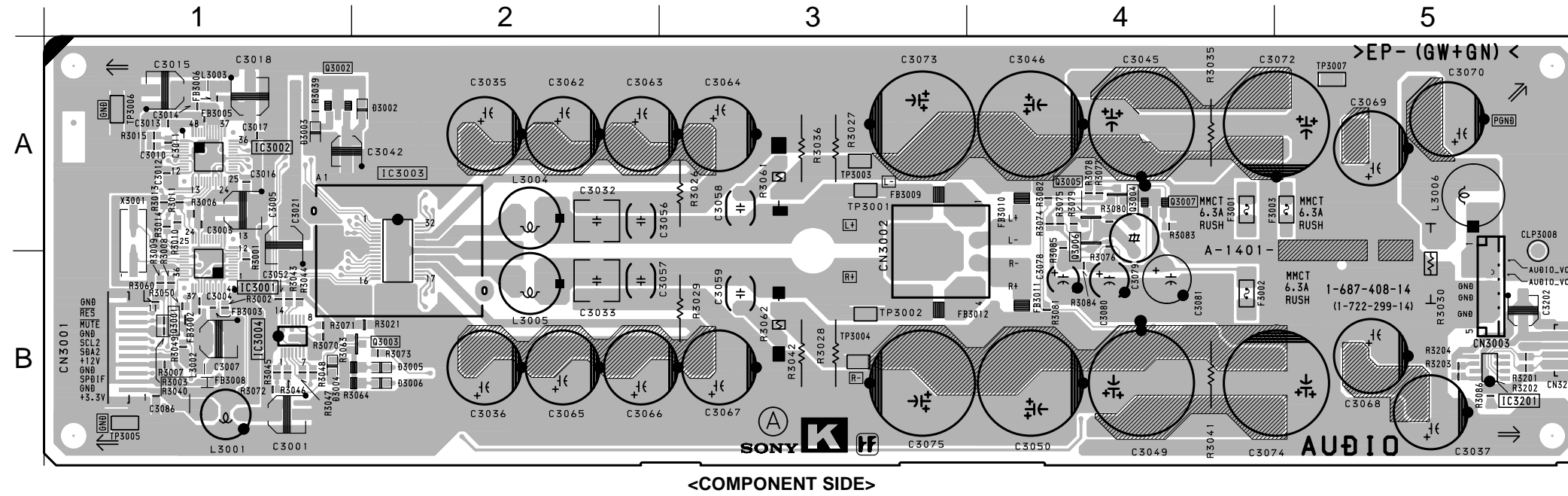
\*: Refer to Terminal name of semiconductors in silk screen printed circuit (see page 3-17)

(2) Schematic Diagram of K Board



**K** [AUDIO OUT]

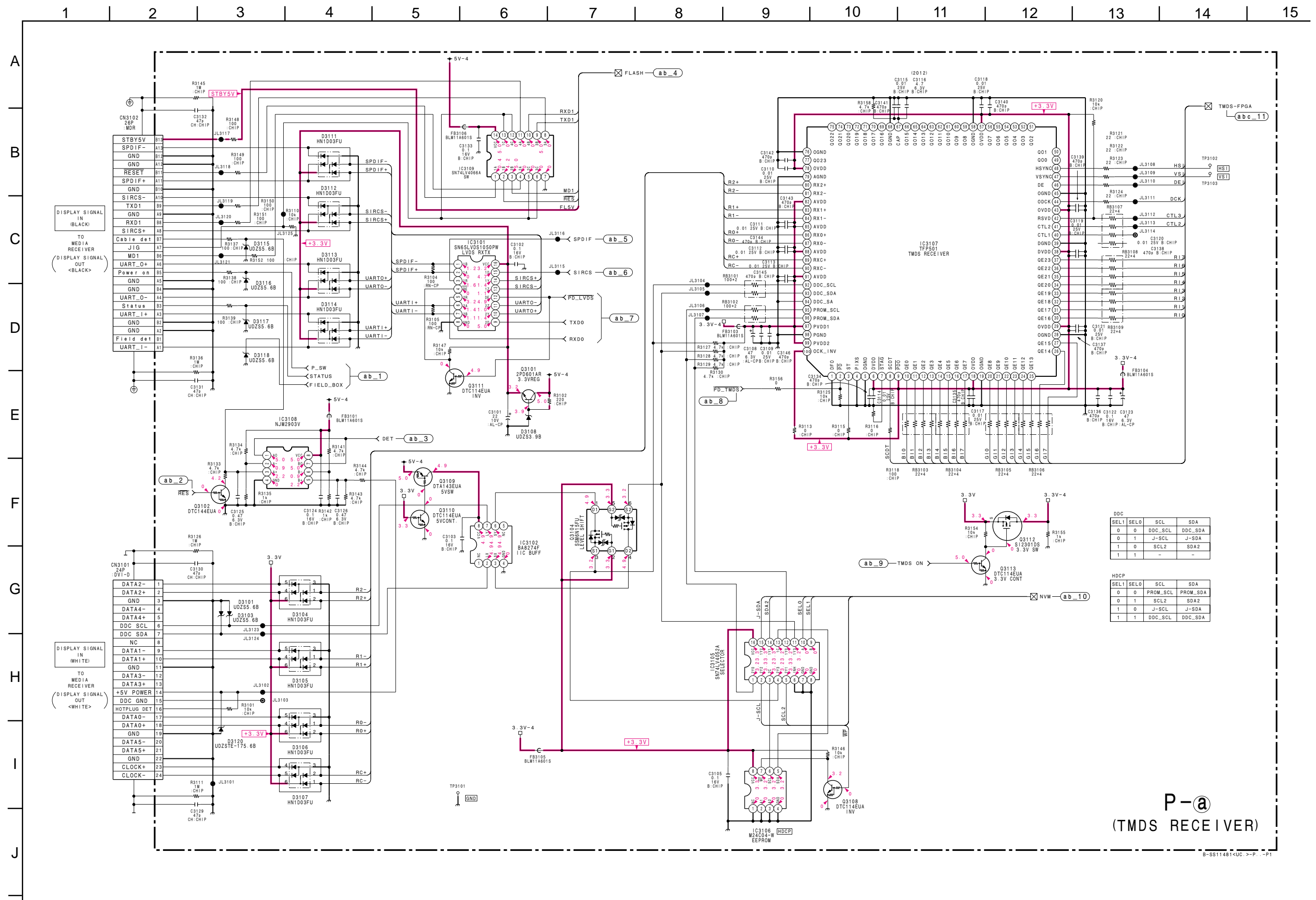
— K BOARD —



• K BOARD SEMICONDUCTOR LOCATION

IC		
(COMPONENT SIDE)	(CONDUCTOR SIDE)	
IC3001	B-1	
IC3002	A-1	
IC3003	A-2	
IC3004	B-1	
IC3201	B-5	
TRANSISTOR		
(COMPONENT SIDE)	(CONDUCTOR SIDE)	*
Q3001	B-1	②
Q3002		

(3) Schematic Diagrams of P Board



DDC

SEL1	SEL0	SCL	SDA
0	0	DDC_SCL	DDC_SDA
0	1	J-SCL2	J-SDA2
1	0	SCL2	SDA2
1	1	-	-

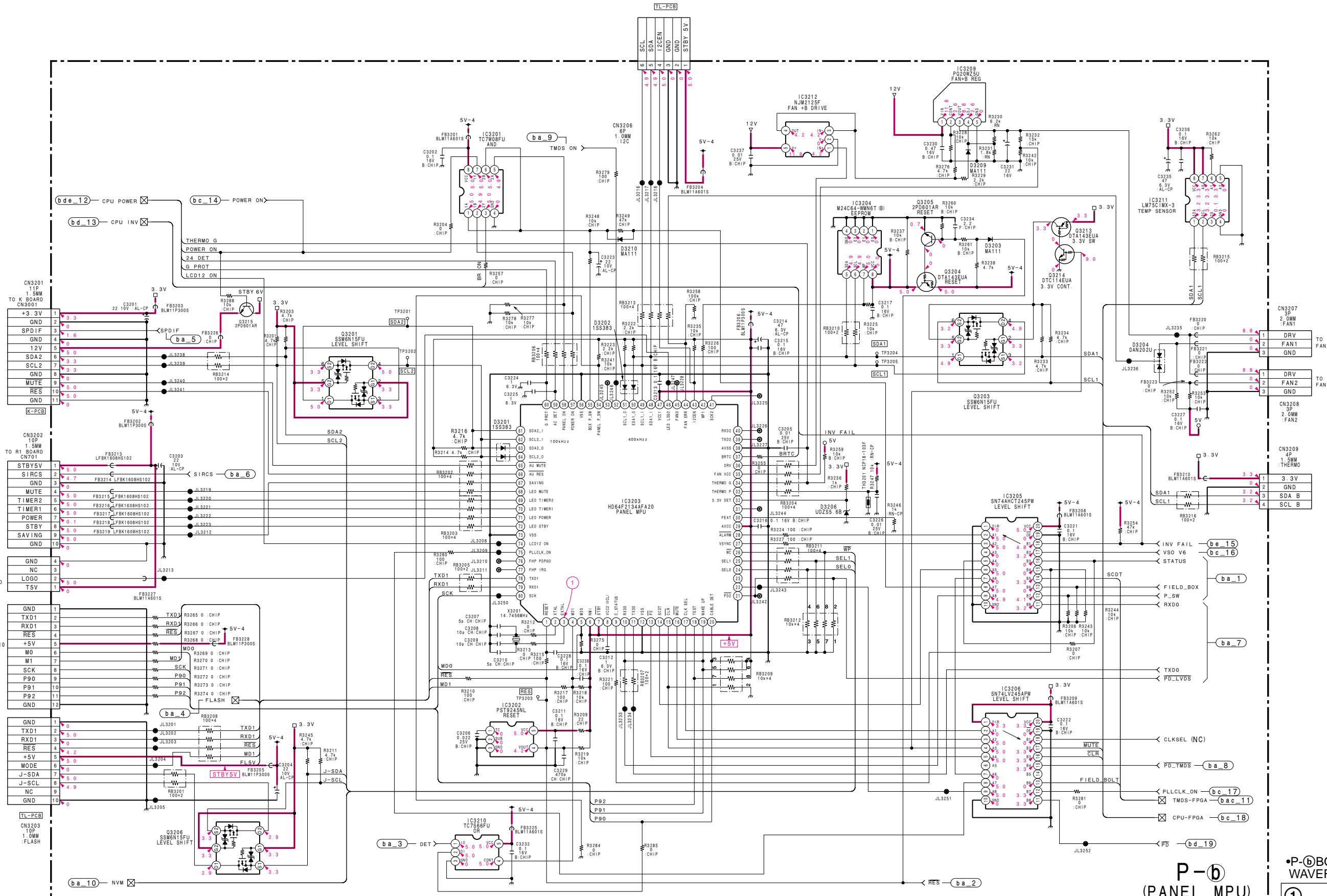
HDCP

SEL1	SEL0	SCL	SDA
0	0	PROM_SCL	PROM_SDA
0	1	SCL2	SDA2
1	0	J-SCL	J-SDA
1	1	DDC_SCL	DDC_SDA

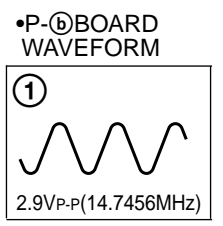
**P-a**  
(TMS RECEIVER)

B-8511481-UC-3-P1-P1

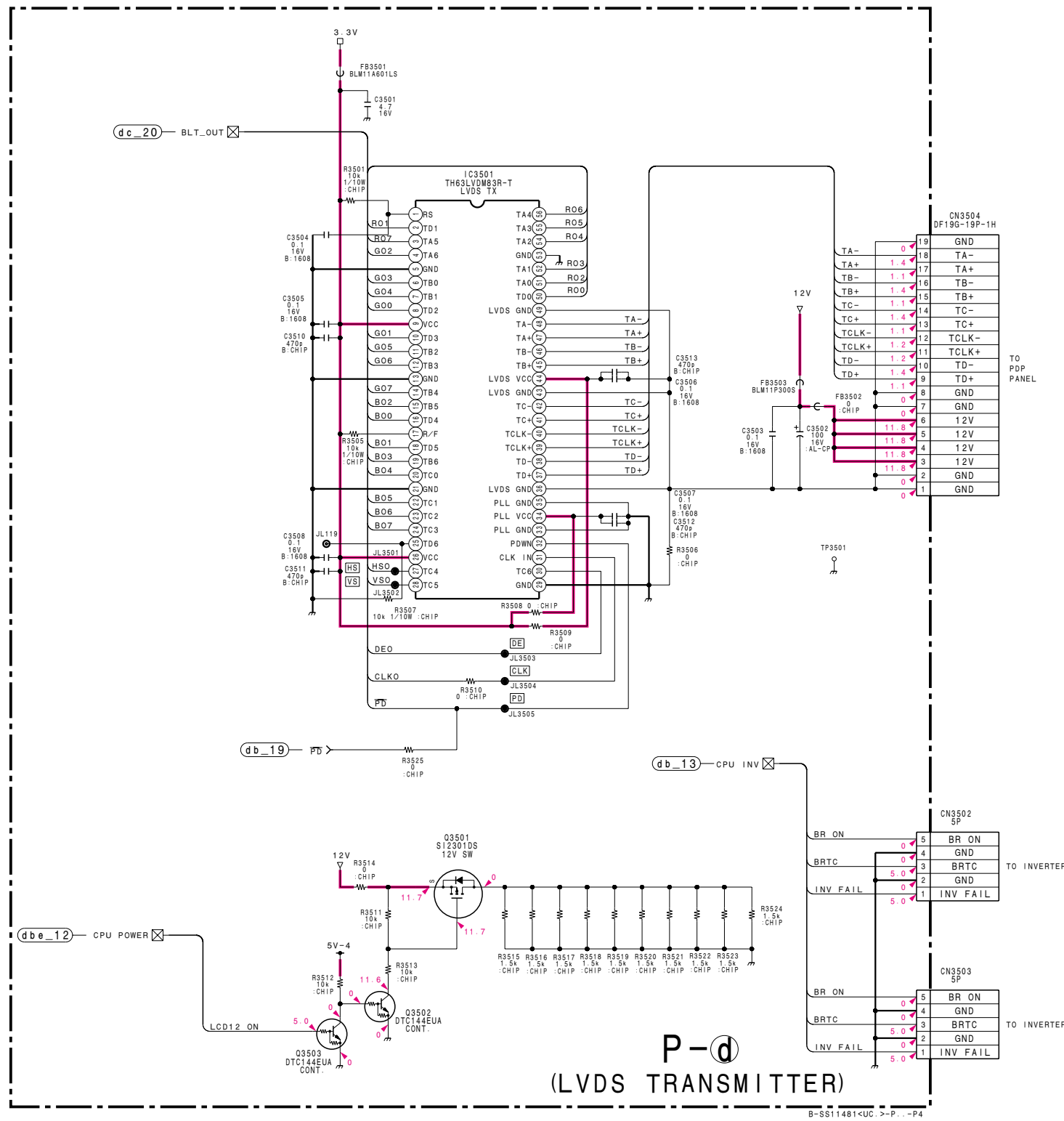


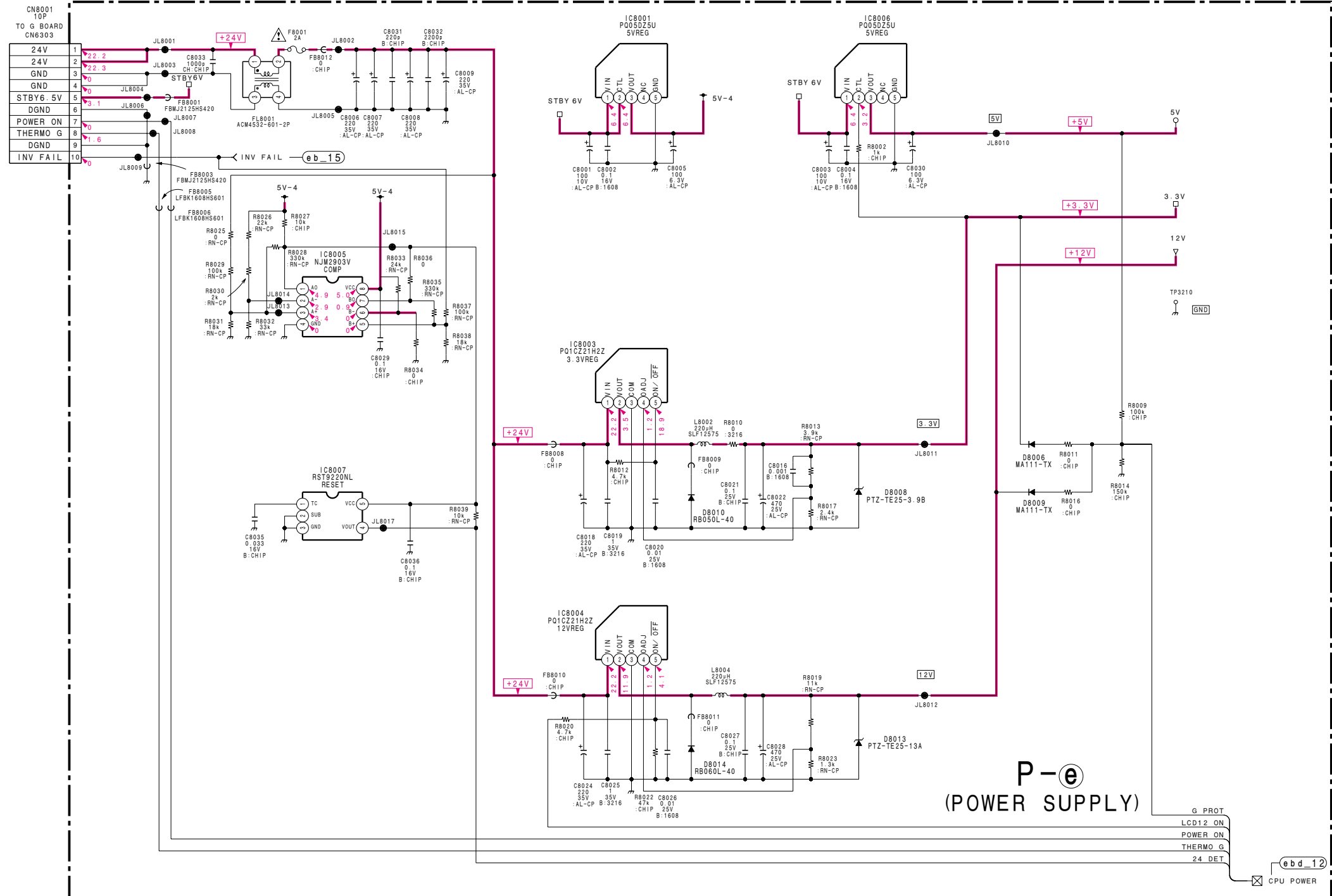


P-b (PANEL MPU)





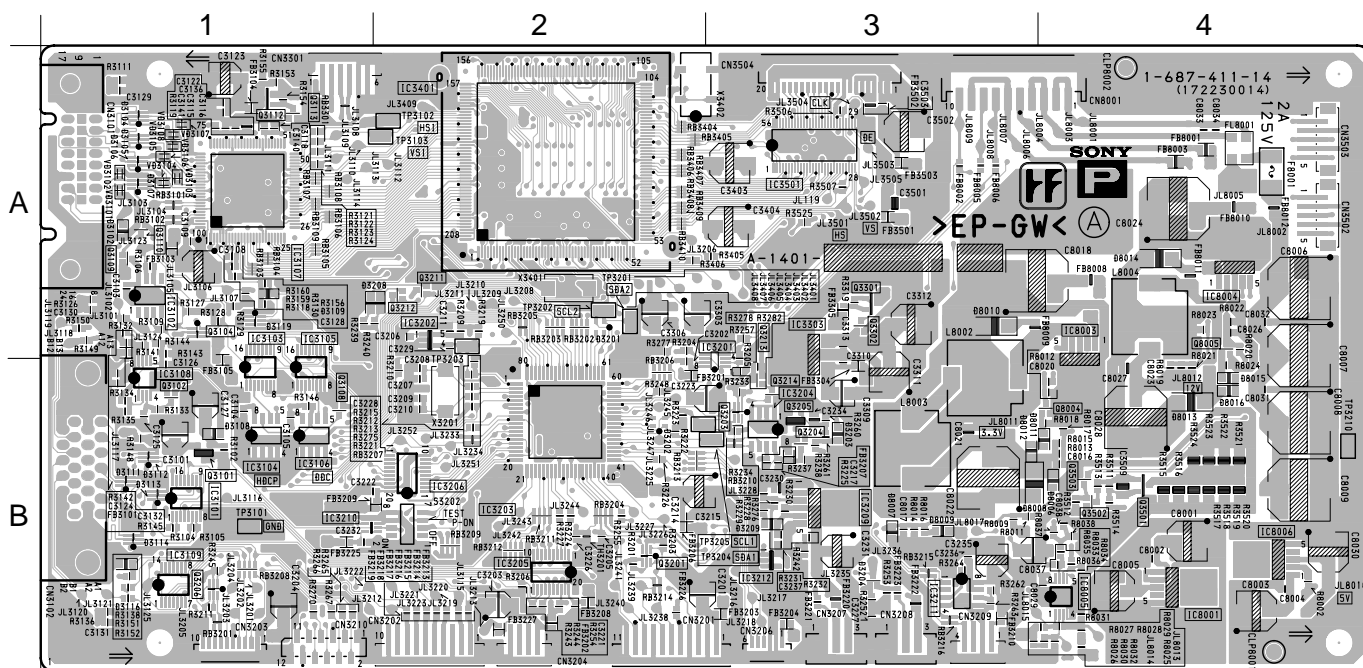




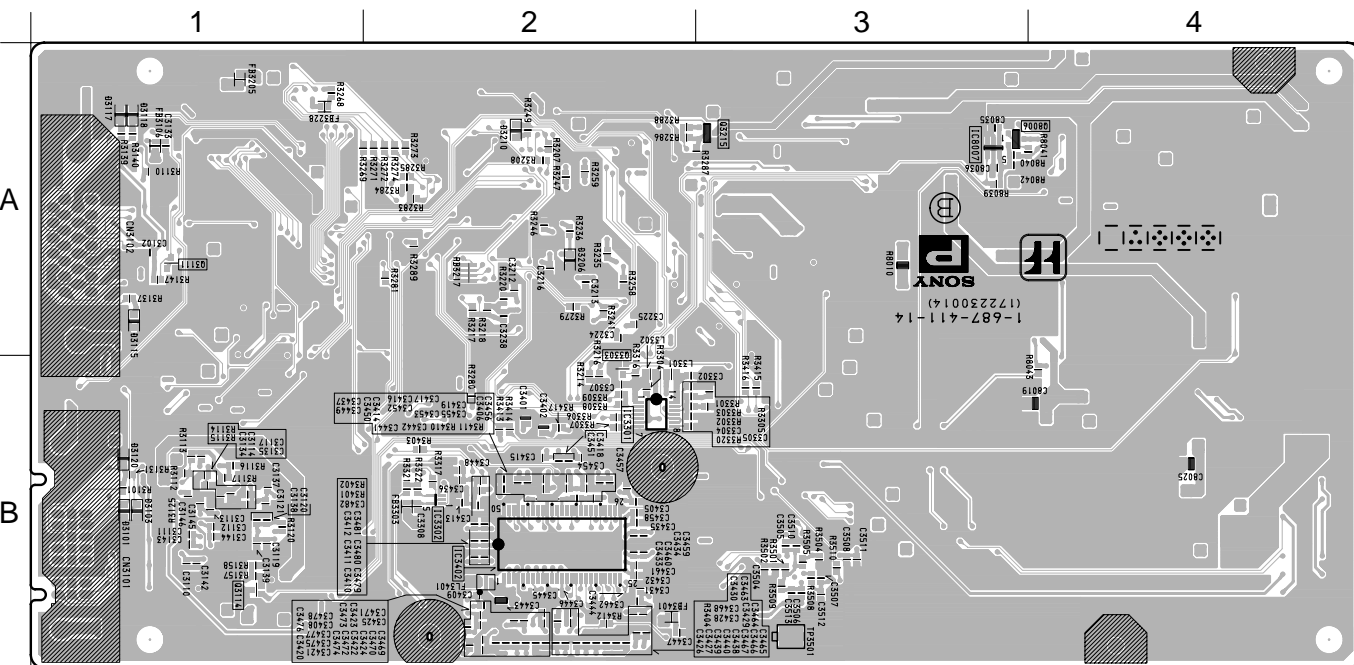
B-SS11481<UC.>-P.-.P5

**P** [TMD5 RECEIVER, PANEL MPU, LCD DRIVE, LVDS TRANSMITTER, POWR SUPPLY]

— P BOARD —



<COMPONENT SIDE>



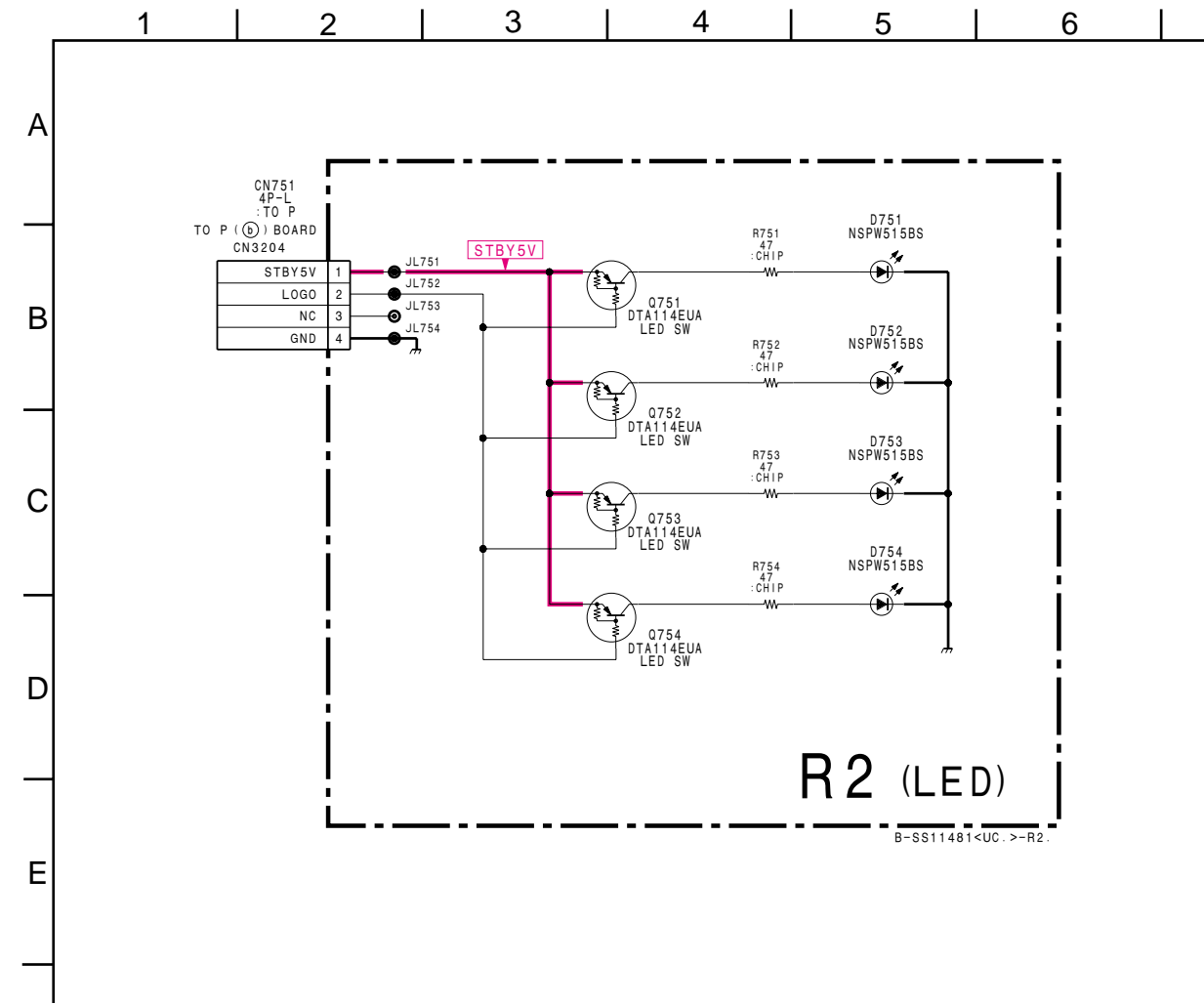
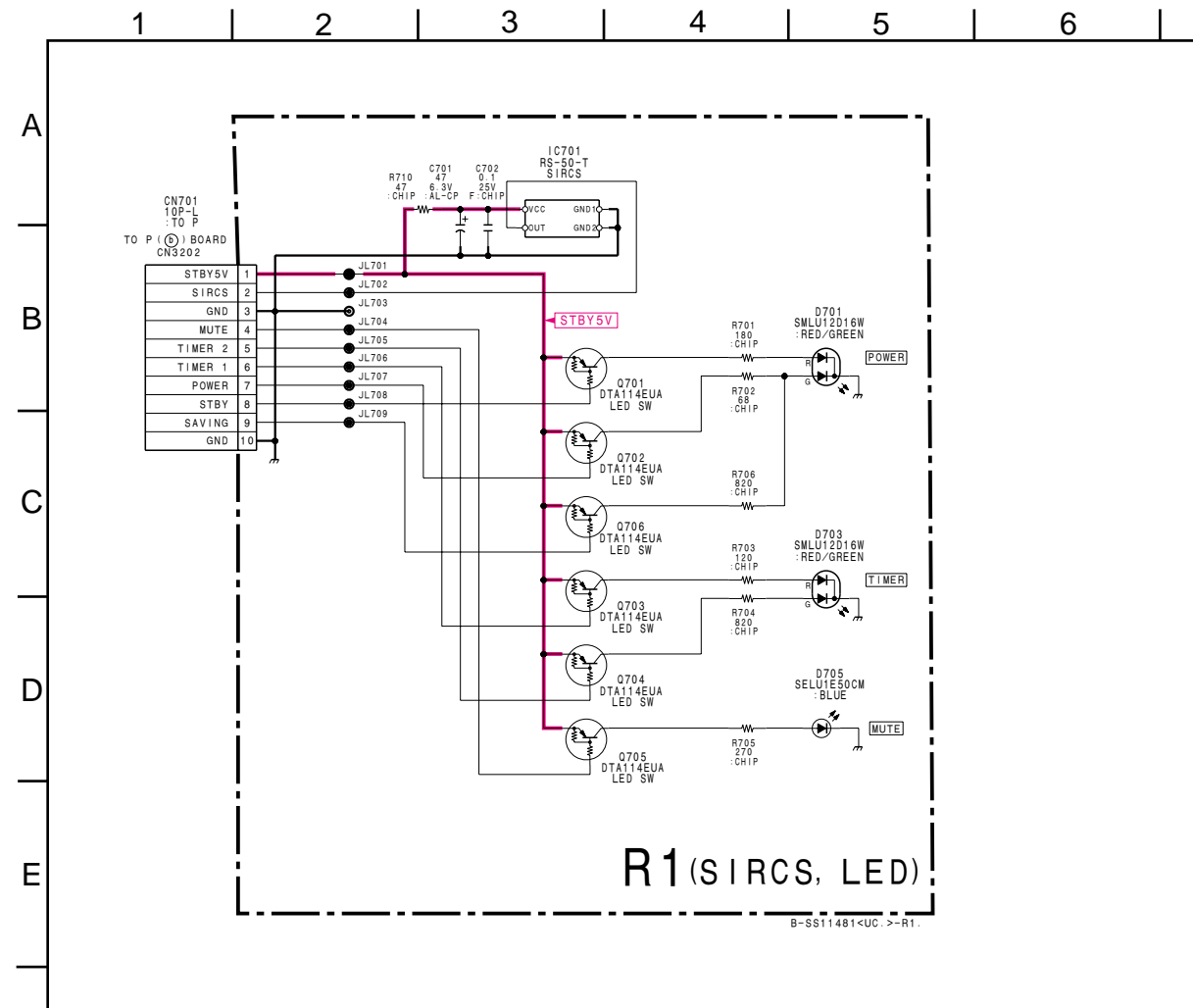
<CONDUCTOR SIDE>

• P BOARD SEMICONDUCTOR LOCATION

IC		TRANSISTOR			DIODE		
(COMPONENT SIDE)	(CONDUCTOR SIDE)	(COMPONENT SIDE)	(CONDUCTOR SIDE)	*	(COMPONENT SIDE)	(CONDUCTOR SIDE)	*
IC3101	B-1	Q3101	B-1	-	D3101	B-1	③
IC3102	A-1	Q3102	B-1	②	D3103	B-1	③
IC3105	B-1	Q3104	A-1	-	D3104	A-1	-
IC3106	B-1	Q3108	B-1	②	D3105	A-1	-
IC3107	A-1	Q3109	A-1	②	D3106	A-1	-
IC3108	B-1	Q3110	A-1	②	D3107	A-1	-
IC3109	B-1	Q3111	A-1	②	D3108	B-1	③
IC3201	B-3	Q3112	A-1	③	D3111	B-1	-
IC3202	A-2	Q3113	A-1	②	D3112	B-1	-
IC3203	B-2	Q3201	B-2	-	D3113	B-1	-
IC3204	B-3	Q3203	B-3	-	D3114	B-1	-
IC3205	B-2	Q3204	B-3	②	D3115	B-1	-
IC3206	B-2	Q3205	B-3	②	D3115	A-1	③
IC3209	B-3	Q3206	B-1	-	D3116	B-1	③
IC3210	B-1	Q3213	B-3	②	D3117	A-1	③
IC3211	B-3	Q3214	B-3	②	D3118	A-1	③
IC3212	B-3	Q3215	B-3	②	D3120	B-1	③
IC3301	B-2	Q3301	A-3	③	D3201	A-2	-
IC3302	B-2	Q3302	A-3	②	D3202	B-2	-
IC3303	A-3	Q3303	A-3	②	D3203	B-3	③
IC3401	A-2	Q3303	B-2	②	D3204	B-3	③
IC3402	B-2	Q3501	B-4	③	D3206	A-2	③
IC3501	A-3	Q3502	B-4	②	D3209	B-3	③
IC8001	B-4	Q3503	B-4	②	D3210	B-3	③
IC8003	B-4	Q8006	A-3	②	D8006	B-4	③
IC8004	A-4				D8008	B-3	③
IC8005	B-4				D8009	B-3	③
IC8006	B-4				D8010	A-3	③
					D8013	B-4	③
					D8014	A-4	③

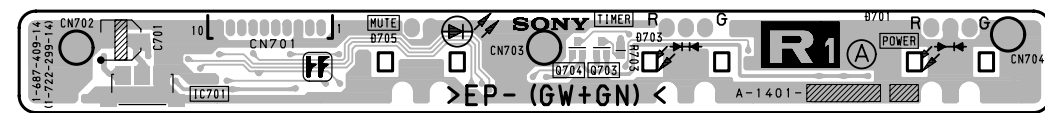
\*: Refer to Terminal name of semiconductors in silk screen printed circuit (see page 3-17)

(4) Schematic Diagrams of R1 and R2 Boards

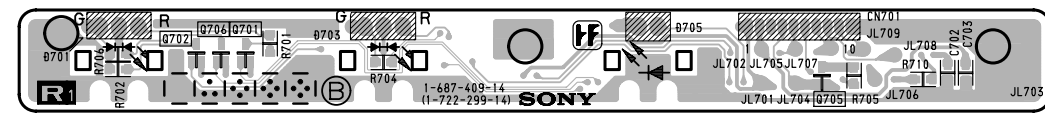


**R1** [SIRCS, LED]

— R1 BOARD —



<COMPONENT SIDE>



<CONDUCTOR SIDE>

**R1 BOARD**

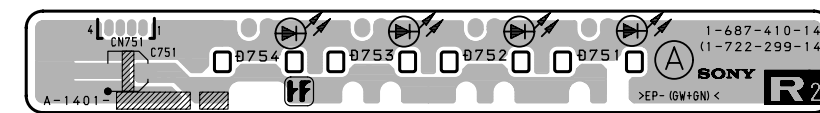
Terminal name of semiconductors in silk screen printed circuit (\*)

Ref.	*
Q701, Q702, Q705, Q706	①
Q703, Q704	①
D701, D703, D705	

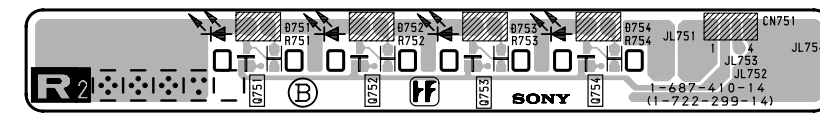
※: Refer to Terminal name of semiconductors in silk screen printed circuit (see page 3-17)

**R2** [LED]

— R2 BOARD —



<COMPONENT SIDE>



<CONDUCTOR SIDE>

**R2 BOARD**

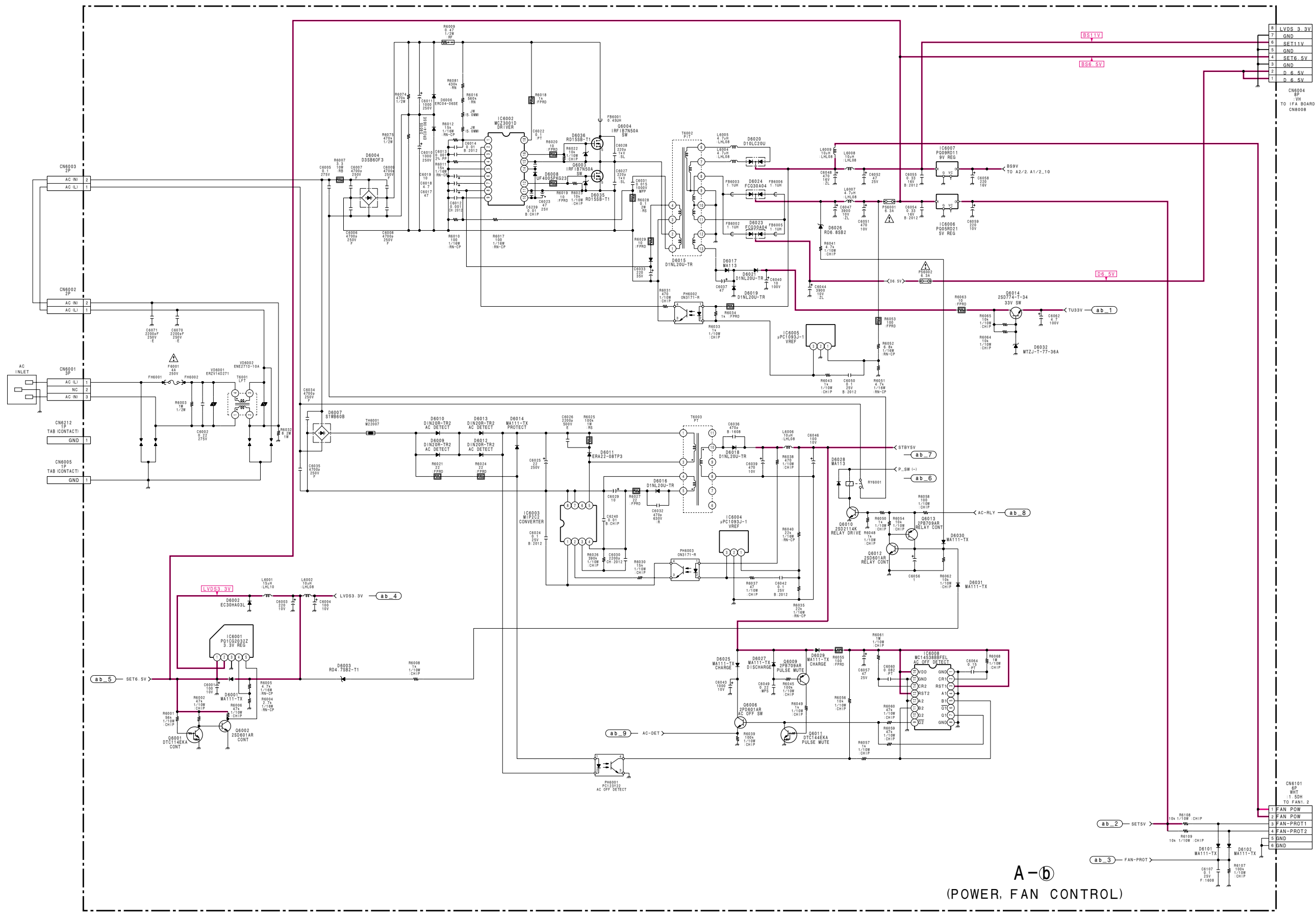
Terminal name of semiconductors in silk screen printed circuit (\*)

Ref.	*
Q751-Q754	①
D751-D754	-

※: Refer to Terminal name of semiconductors in silk screen printed circuit (see page 3-17)







4	LVD3_3.3V
7	GND
5	SETLV
4	SET6_5V
3	GND
2	D_6_5V
1	D_6_5V

CN6004  
5P  
TO IFA BOARD  
CN6008

1	FAN POW
2	FAN POW
3	FAN-PROT1
4	FAN-PROT2
5	GND
6	GND

CN6101  
6P  
1.5SH  
TO FAN1\_2

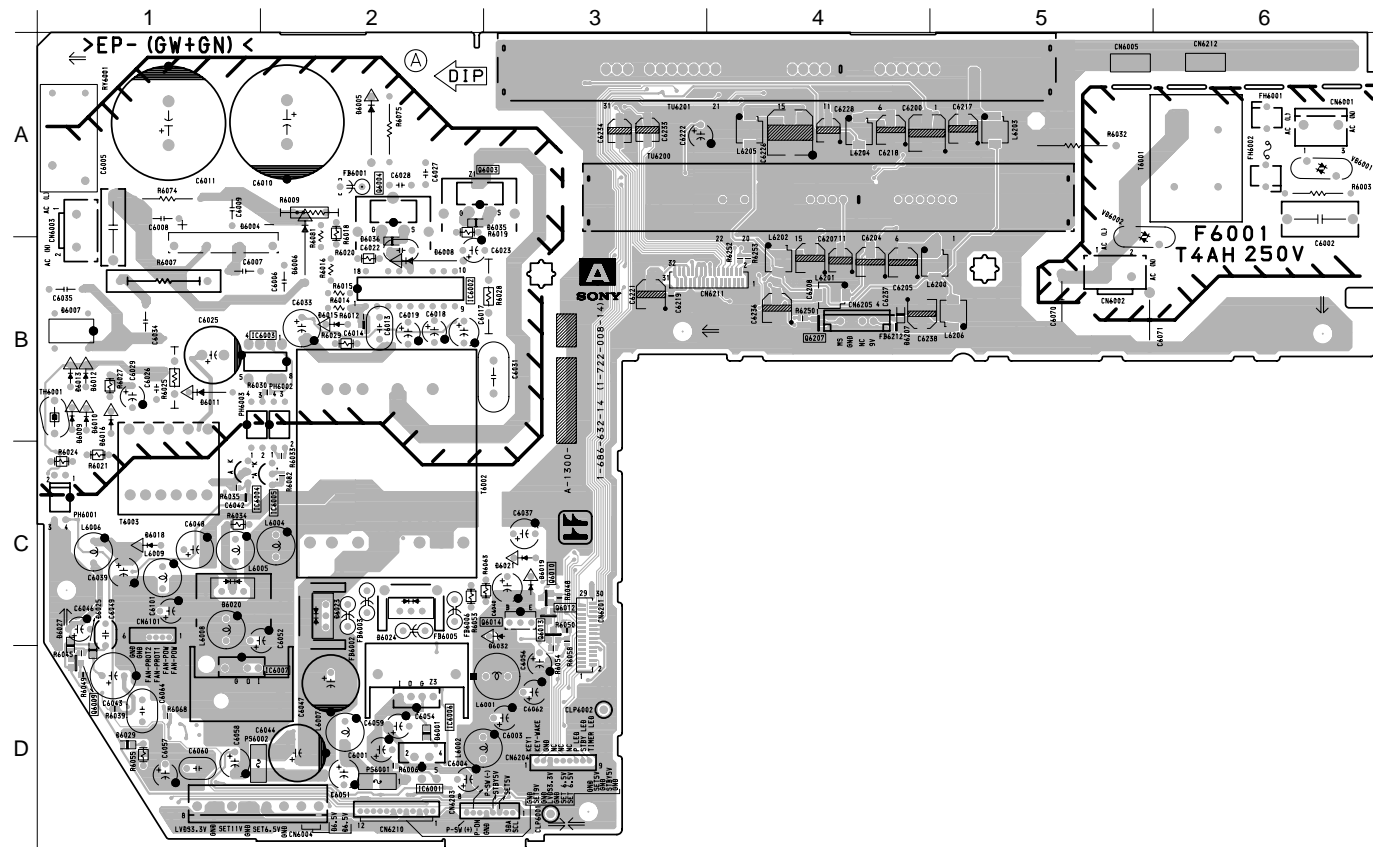
A-6  
(POWER, FAN CONTROL)

B-58235<UC> >A. -P2

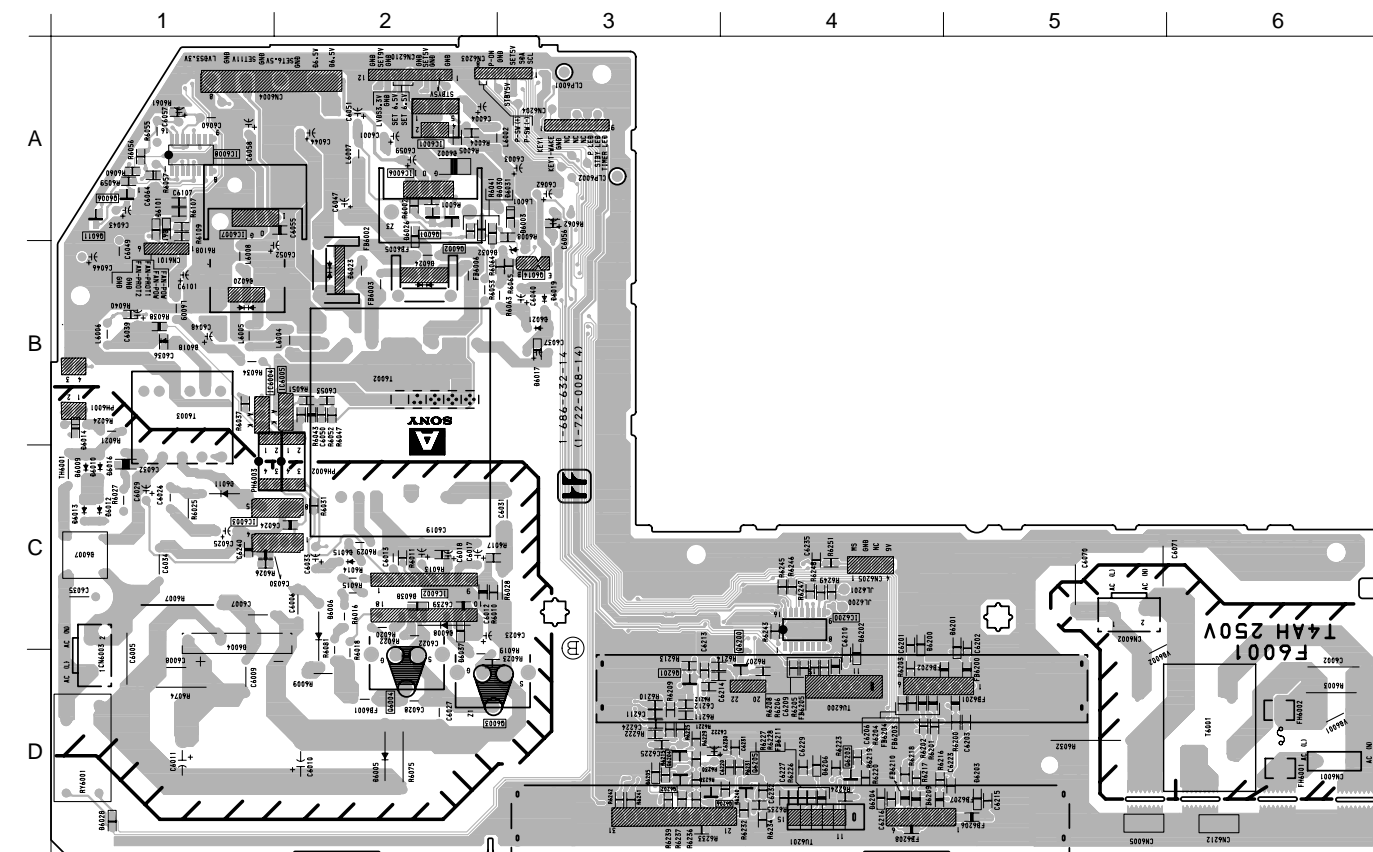


**A** [ TUNER, POWER, FAN CONTROL ]

— A BOARD —



<COMPONENT SIDE>



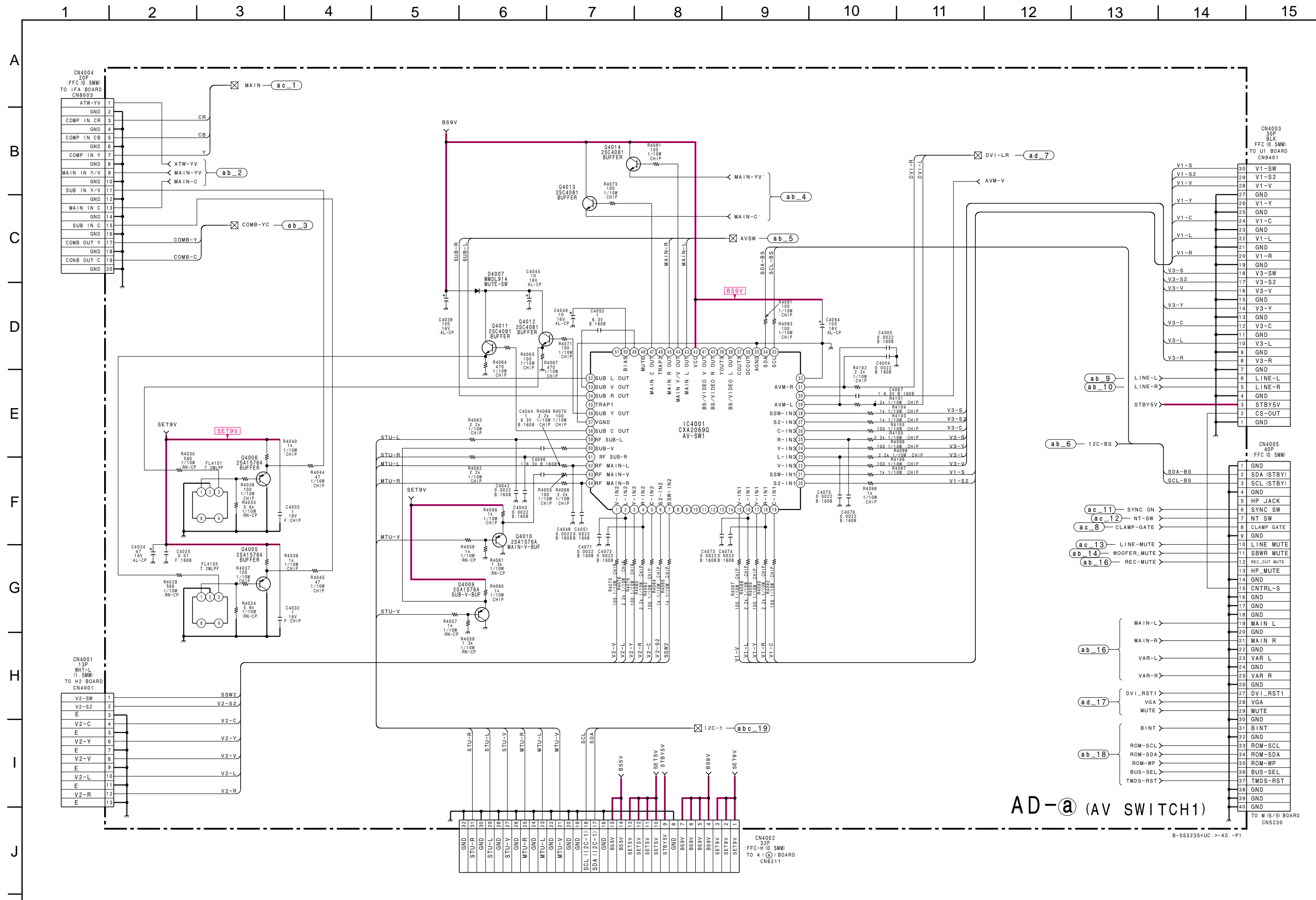
<CONDUCTOR SIDE>

• A BOARD SEMICONDUCTOR LOCATION

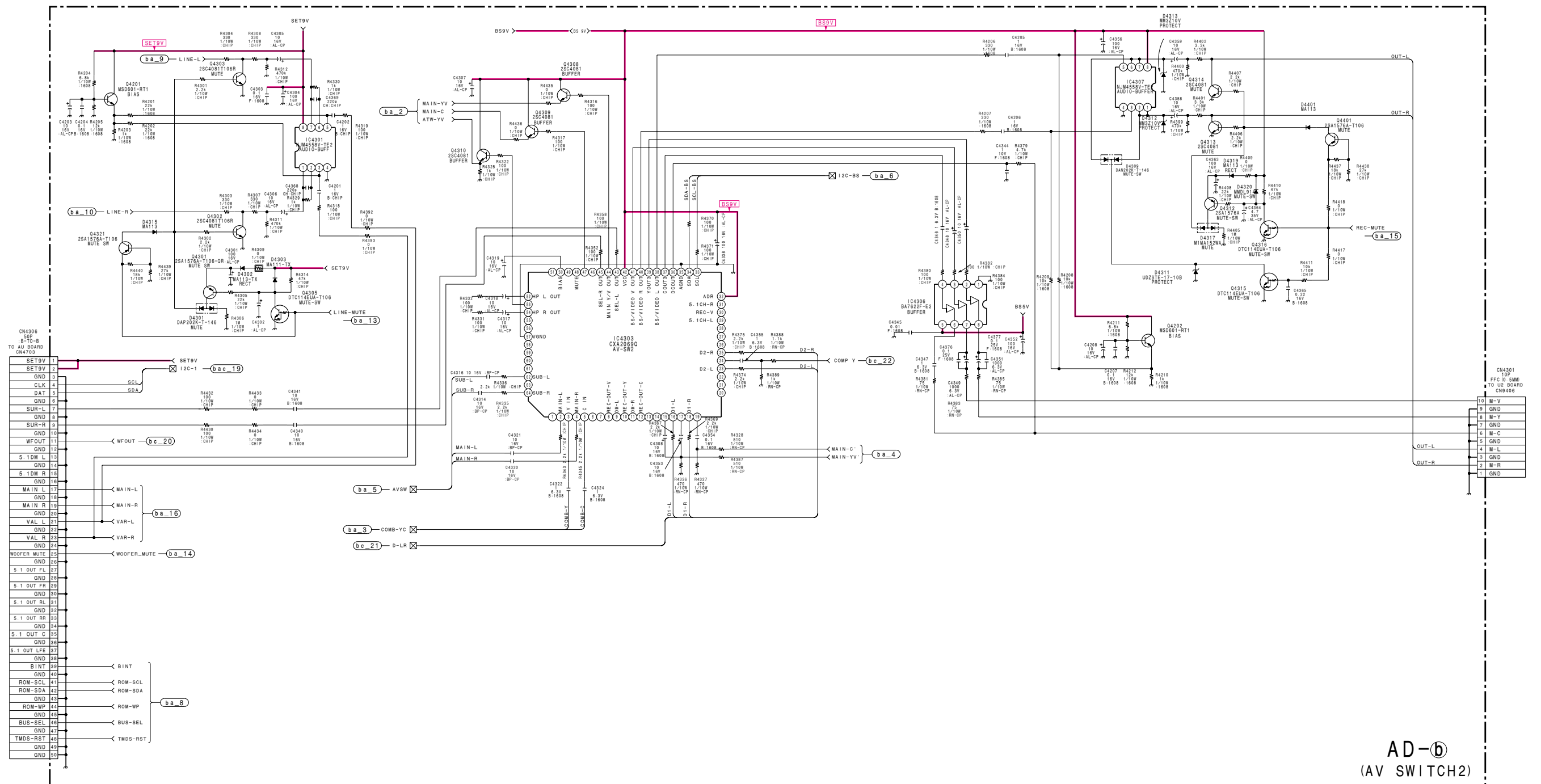
IC			DIODE		
(COMPONENT SIDE)	(CONDUCTOR SIDE)	*	(COMPONENT SIDE)	(CONDUCTOR SIDE)	*
IC6001	D-2		D6001	D-2	③
IC6002	B-2		D6002	A-2	③
IC6003	B-2		D6003	A-3	③
IC6004	C-1		D6004	B-1	-
IC6005	C-2		D6005	A-2	-
IC6006	D-2		D6006	B-2	-
IC6007	D-1		D6007	B-1	-
IC6008	A-1		D6008	B-2	-
IC6200	C-4		D6009	B-1	-
TRANSISTOR			D6010	B-1	-
(COMPONENT SIDE)	(CONDUCTOR SIDE)	*	D6011	B-1	-
Q6001	A-2	①	D6012	B-1	-
Q6002	A-2	①	D6013	B-1	-
Q6003	A-2	-	D6014	B-1	③
Q6004	A-2	-	D6015	B-2	-
Q6006	A-1	①	D6016	B-1	-
Q6009	D-1	②	D6017	B-3	③
Q6010	C-3	②	D6018	C-1	-
Q6011	A-1	①	D6019	C-3	-
Q6012	C-3	②	D6020	C-1	-
Q6013	C-3	②	D6021	C-3	-
Q6014	C-3	-	D6023	C-2	-
Q6200	D-4	①	D6024	C-2	-
Q6201	D-3	①	D6025	D-1	③
Q6202	D-3	①	D6026	A-2	③
Q6203	D-4	①	D6027	D-1	③
Q6204	D-3	①	D6028	D-1	③
Q6205	D-4	①	D6029	D-1	③
Q6206	D-3	①	D6030	A-2	③
Q6207	B-4	②	D6031	A-2	③
			D6032	C-3	-
			D6035	A-2	③
			D6036	B-2	③
			D6101	A-1	③
			D6102	A-1	③
			D6205	D-3	③

※: Refer to Terminal name of semiconductors in silk screen printed circuit (see page 3-17)

(2) Schematic Diagrams of AD Board



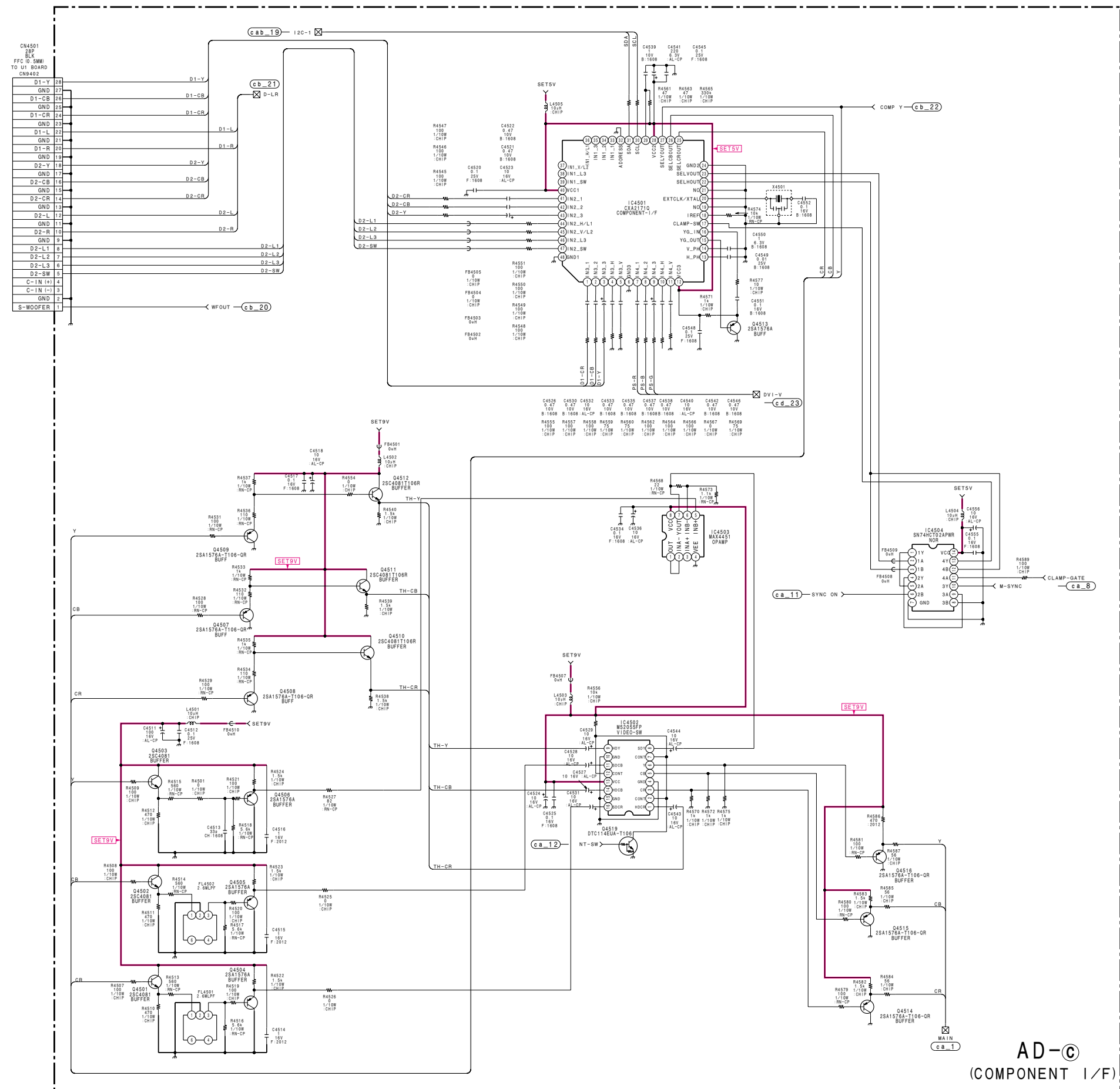
AD-a (AV SWITCH1)



AD-6  
(AV SWITCH2)

B-55235UC-7-AD-7P

A  
B  
C  
D  
E  
F  
G  
H  
I  
J



AD-C  
(COMPONENT 1/F)

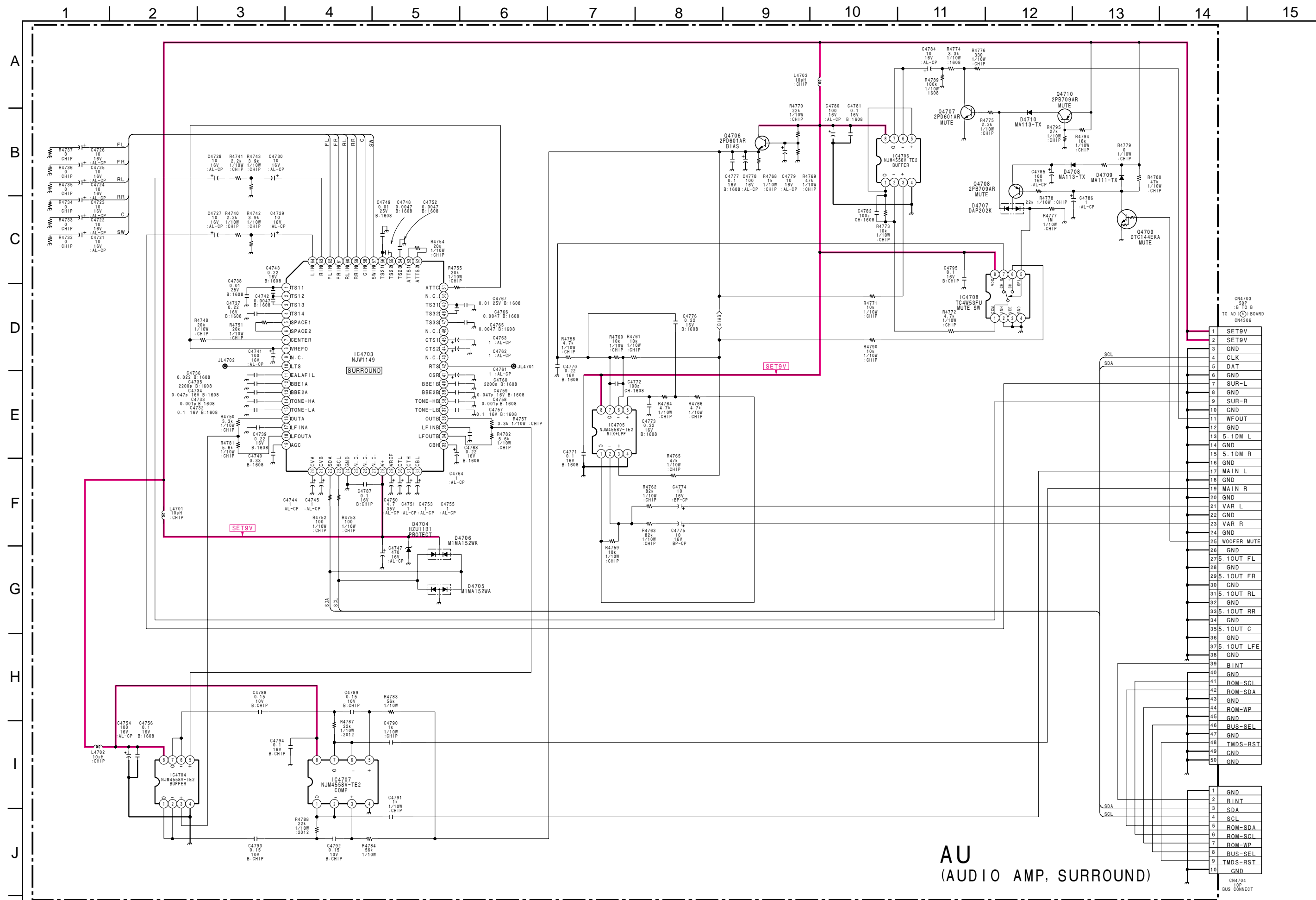
B-883235-UC -Y-AD -P3







(3) Schematic Diagram of AU Board

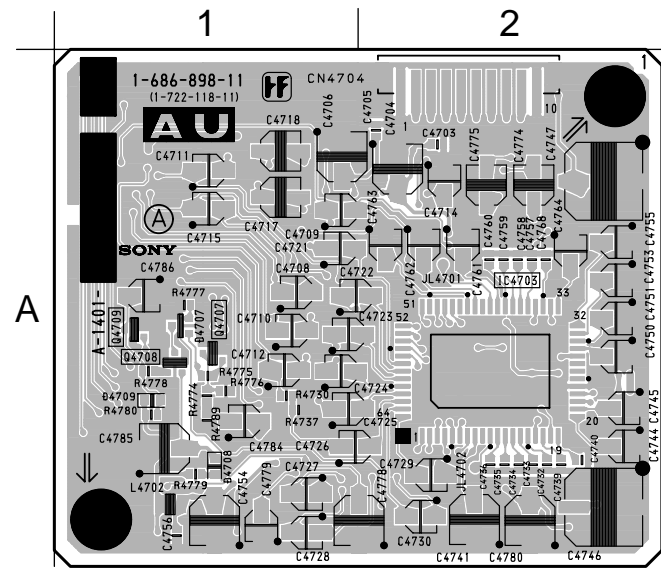


**AU**  
(AUDIO AMP, SURROUND)

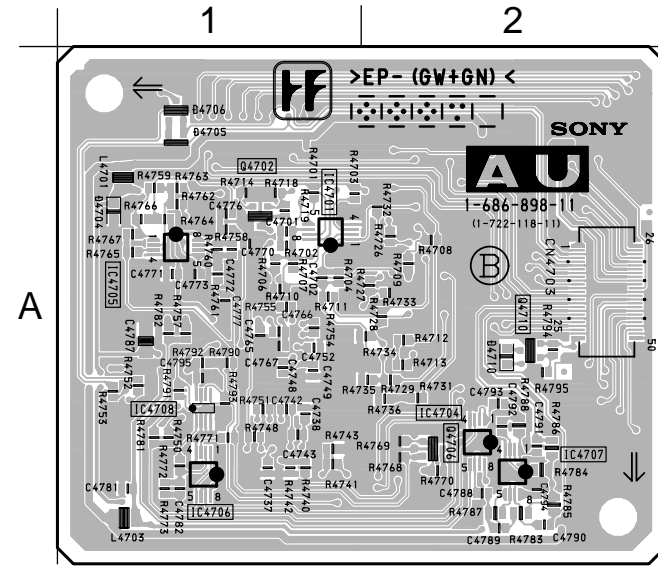
1	SET9V
2	SET9V
3	GND
4	CLK
5	DAT
6	GND
7	SUR-L
8	GND
9	SUR-R
10	GND
11	WFOUT
12	GND
13	5.1DM L
14	GND
15	5.1DM R
16	GND
17	MAIN L
18	GND
19	MAIN R
20	GND
21	VAR L
22	GND
23	VAR R
24	GND
25	WOOFER MUTE
26	GND
27	5.1OUT FL
28	GND
29	5.1OUT FR
30	GND
31	5.1OUT RL
32	GND
33	5.1OUT RR
34	GND
35	5.1OUT C
36	GND
37	5.1OUT LFE
38	GND
39	B.INT
40	GND
41	ROM-SCL
42	ROM-SDA
43	GND
44	ROM-WP
45	GND
46	BUS-SEL
47	GND
48	TMDS-RST
49	GND
50	GND

**AU** [ AUDIO AMP, SURROUND ]

— AU BOARD —



<COMPONENT SIDE>



<CONDUCTOR SIDE>

• AU BOARD SEMICONDUCTOR LOCATION

IC		
(COMPONENT SIDE)	(CONDUCTOR SIDE)	
IC4703	A-2	
IC4704		A-2
IC4705		A-1
IC4706		A-1
IC4707		A-2
IC4708		A-1

TRANSISTOR		
(COMPONENT SIDE)	(CONDUCTOR SIDE)	*
Q4706	A-2	②
Q4707	A-1	②
Q4708	A-1	②
Q4709	A-1	②
Q4710		A-2 ②

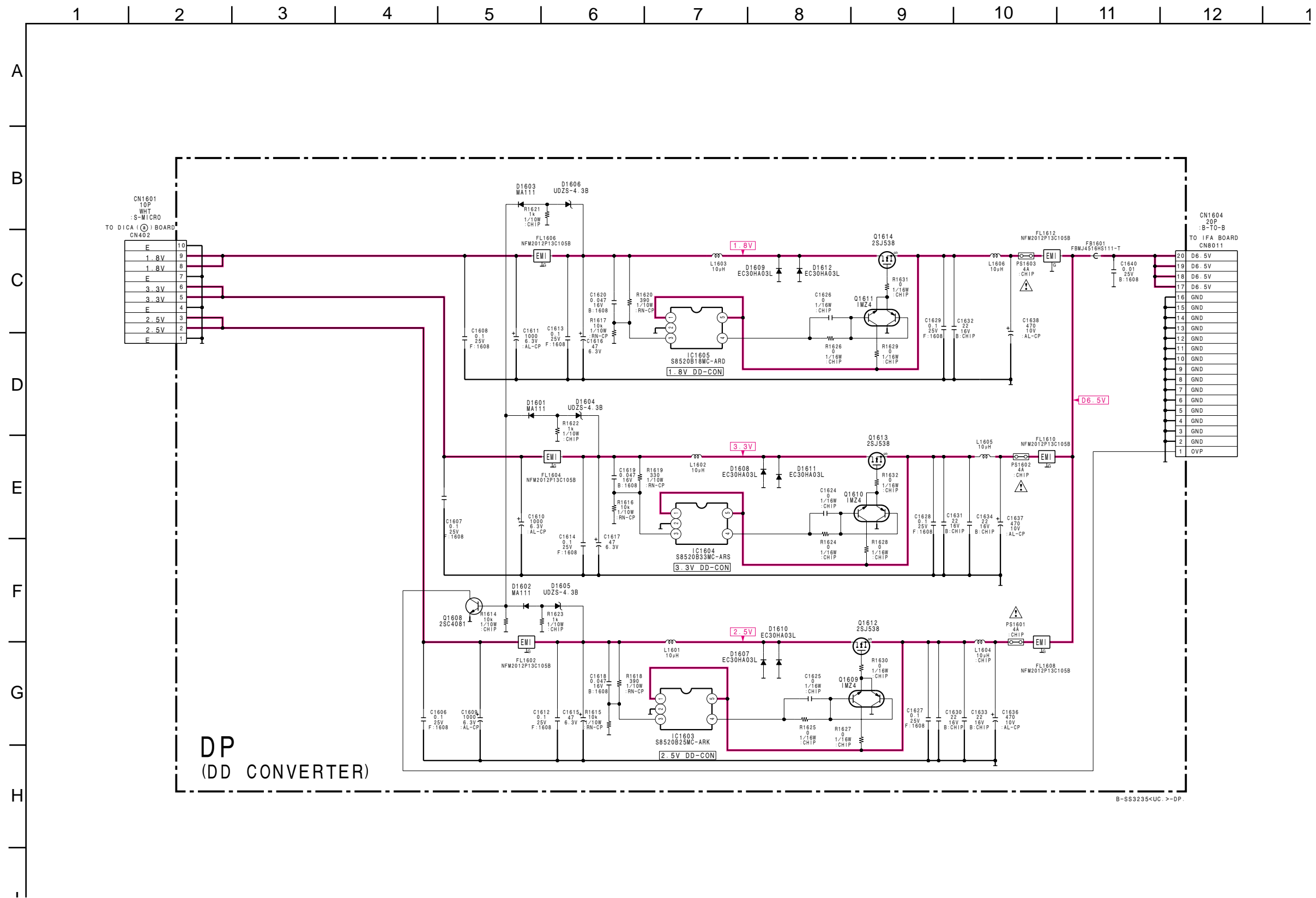
  

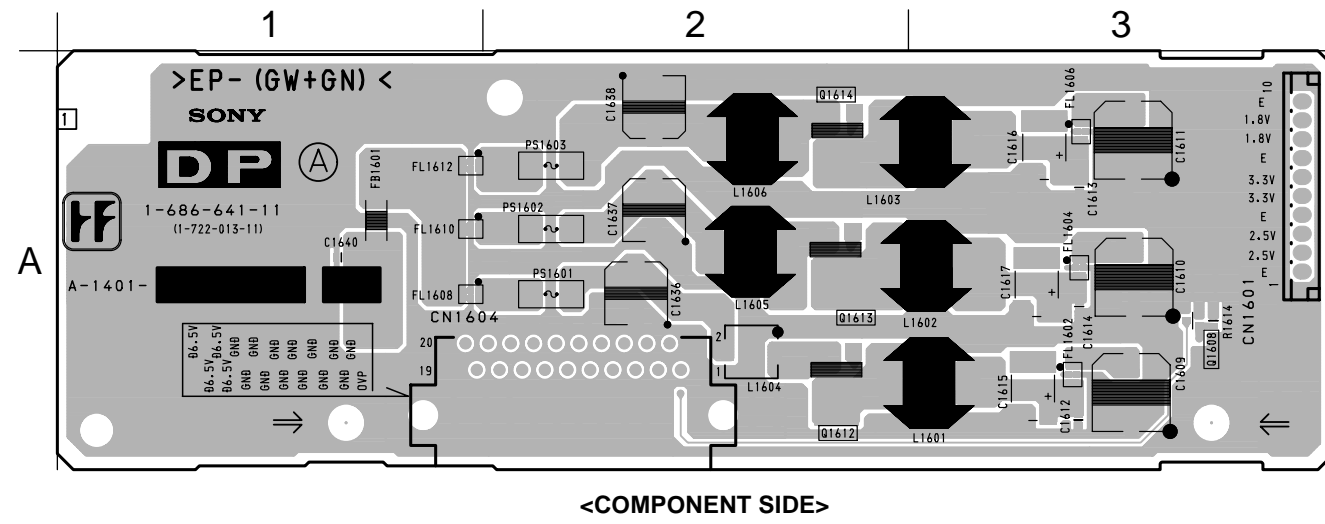
DIODE		
(COMPONENT SIDE)	(CONDUCTOR SIDE)	*
D4704	A-1	③
D4705	A-1	⑩
D4706	A-1	⑨
D4707	A-1	⑪
D4708	A-1	③
D4709	A-1	③
D4710	A-2	③

\*: Refer to Terminal name of semiconductors in silk screen printed circuit (see page 3-17)

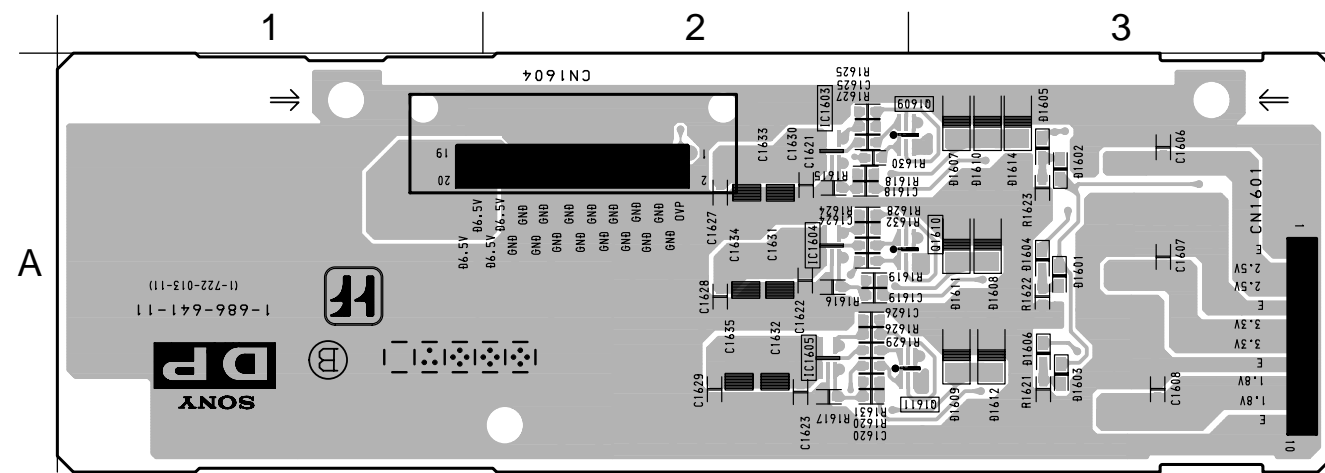


(4) Schematic Diagram of DP Board





<COMPONENT SIDE>



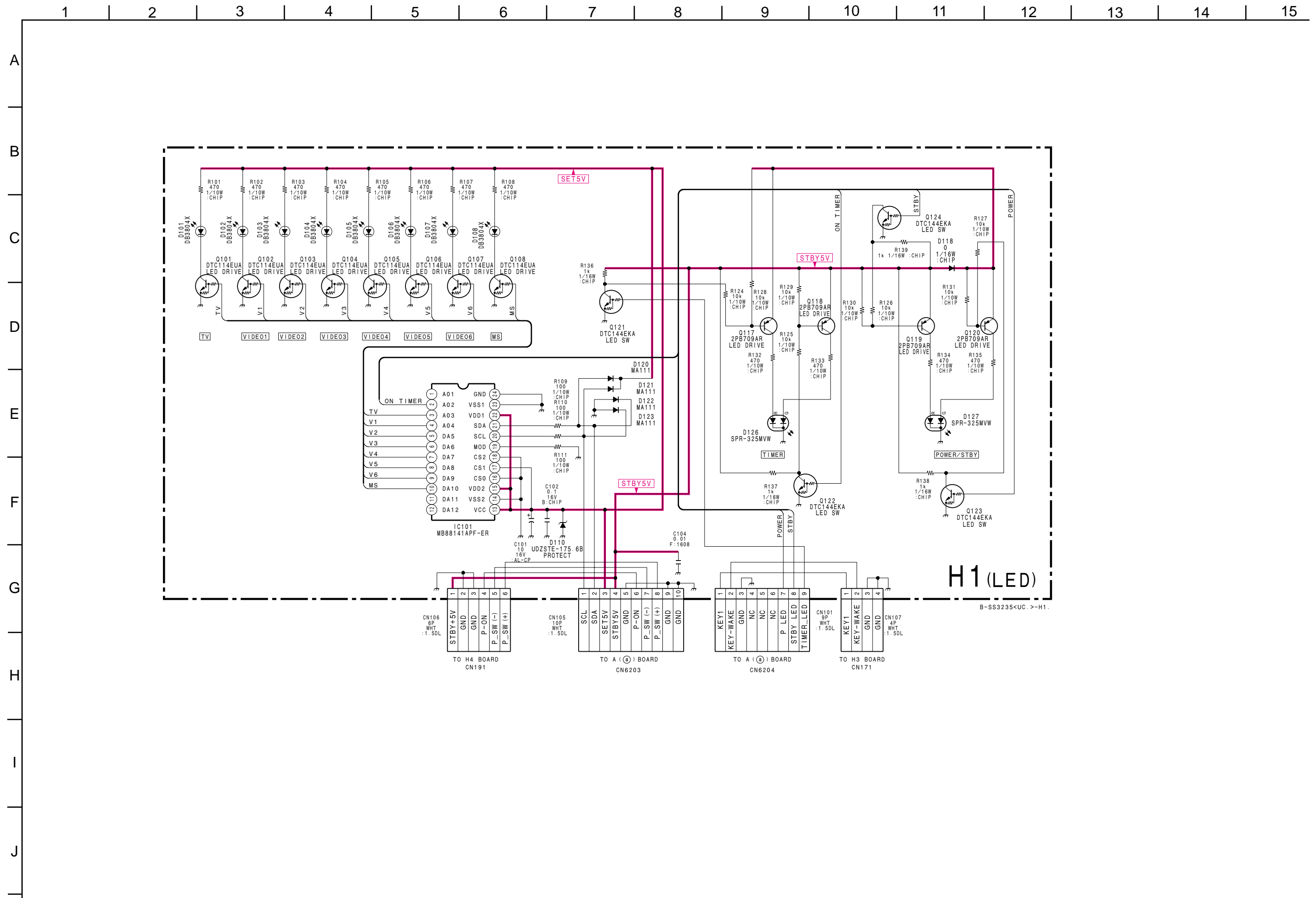
<CONDUCTOR SIDE>

• DP BOARD SEMICONDUCTOR LOCATION

IC		
(COMPONENT SIDE)	(CONDUCTOR SIDE)	
IC1603	A-2	
IC1604	A-2	
IC1605	A-2	
TRANSISTOR		
(COMPONENT SIDE)	(CONDUCTOR SIDE)	*
Q1608	A-3	②
Q1609	A-2	⑳
Q1610	A-2	⑳
Q1611	A-2	⑳
Q1612	A-2	⑬
Q1613	A-2	⑬
Q1614	A-2	⑬
DIODE		
(COMPONENT SIDE)	(CONDUCTOR SIDE)	*
D1601	A-3	③
D1602	A-3	③
D1603	A-3	③
D1604	A-3	③
D1605	A-3	③
D1606	A-3	③
D1607	A-3	③
D1608	A-3	③
D1609	A-3	③
D1610	A-3	③
D1611	A-3	③
D1612	A-3	③

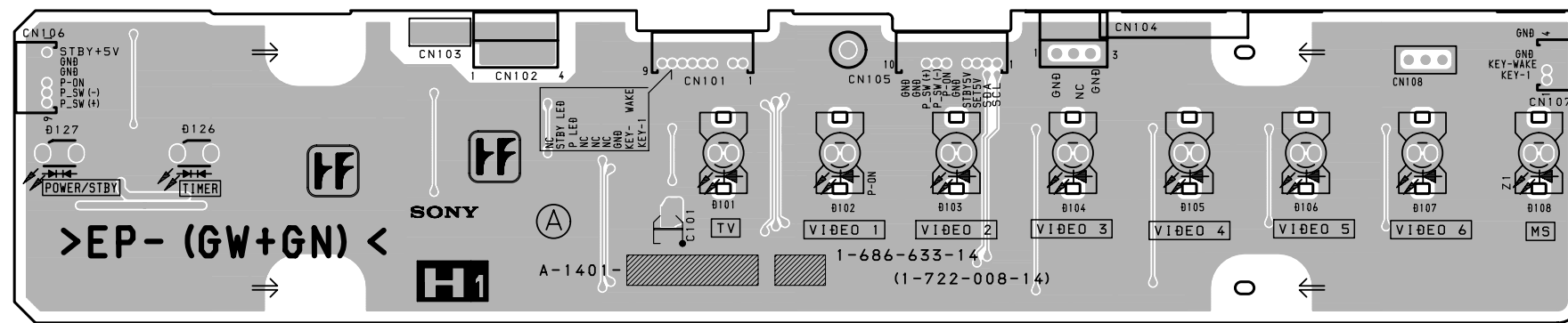
\*: Refer Terminal name of semiconductors in silkscreen printed circuit (see page 3-17)

(5) Schematic Diagram of H1 Board

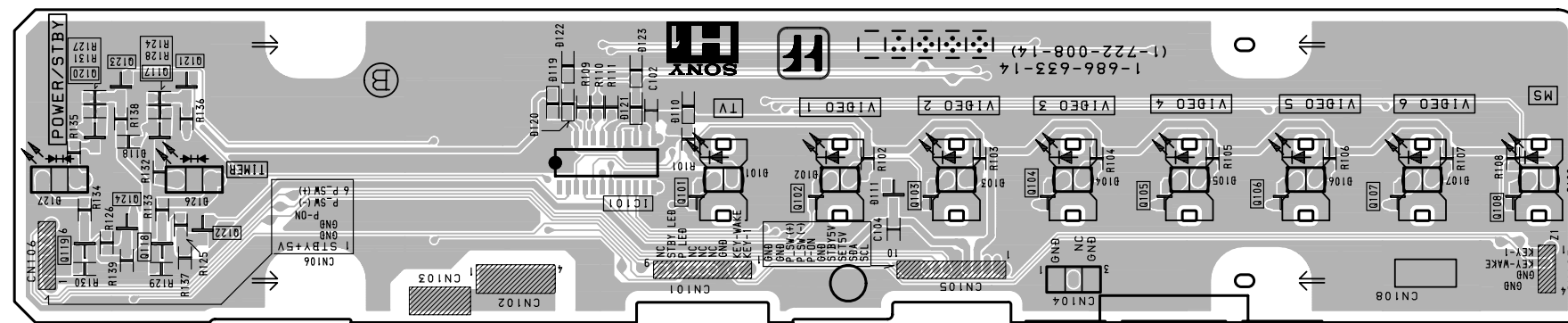


# H1 [LED]

— H1 BOARD —



<COMPONENT SIDE>



<CONDUCTOR SIDE>

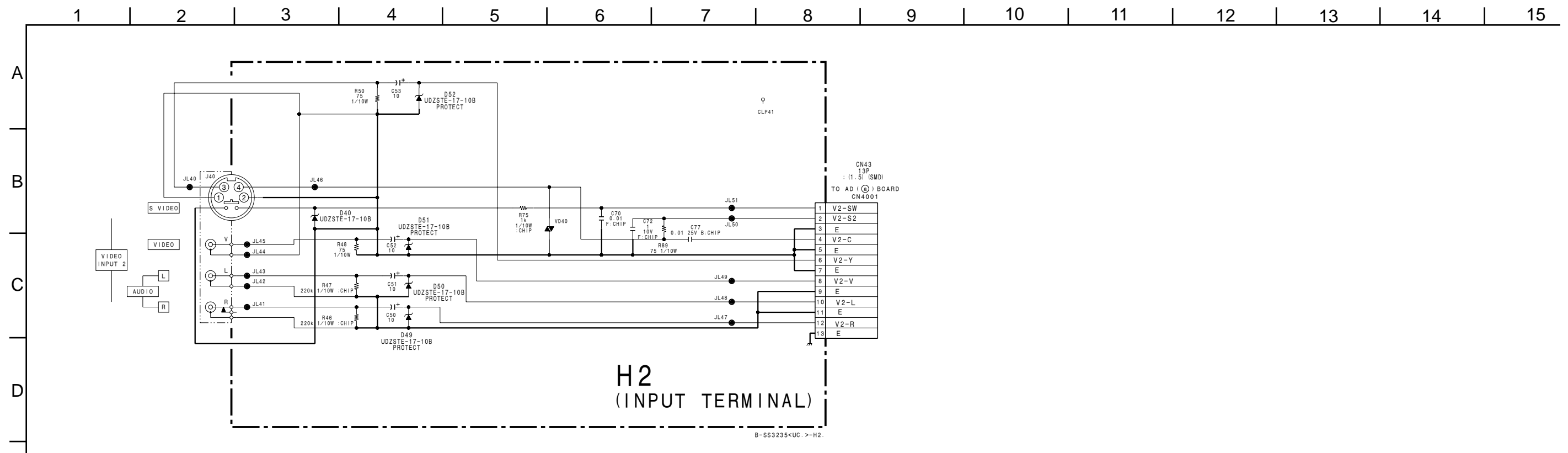
## H1 BOARD

Terminal name of semiconductors in silk screen printed circuit (\*)

Ref.	*
Q101 - Q108	①
Q117 - Q124	①
D101 - D108	-
D118, D126, D127	-
D110, D120 - D123	③

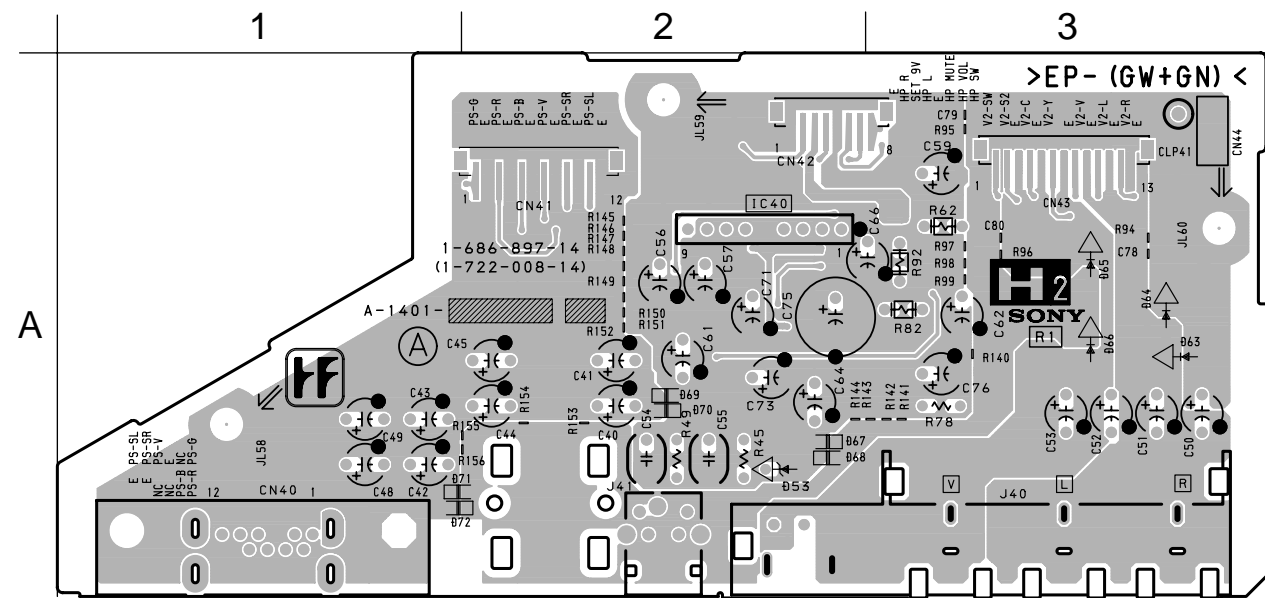
※: Refer to Terminal name of semiconductors in silk screen printed circuit (see page 3-17)

(6) Schematic Diagram of H2 Board

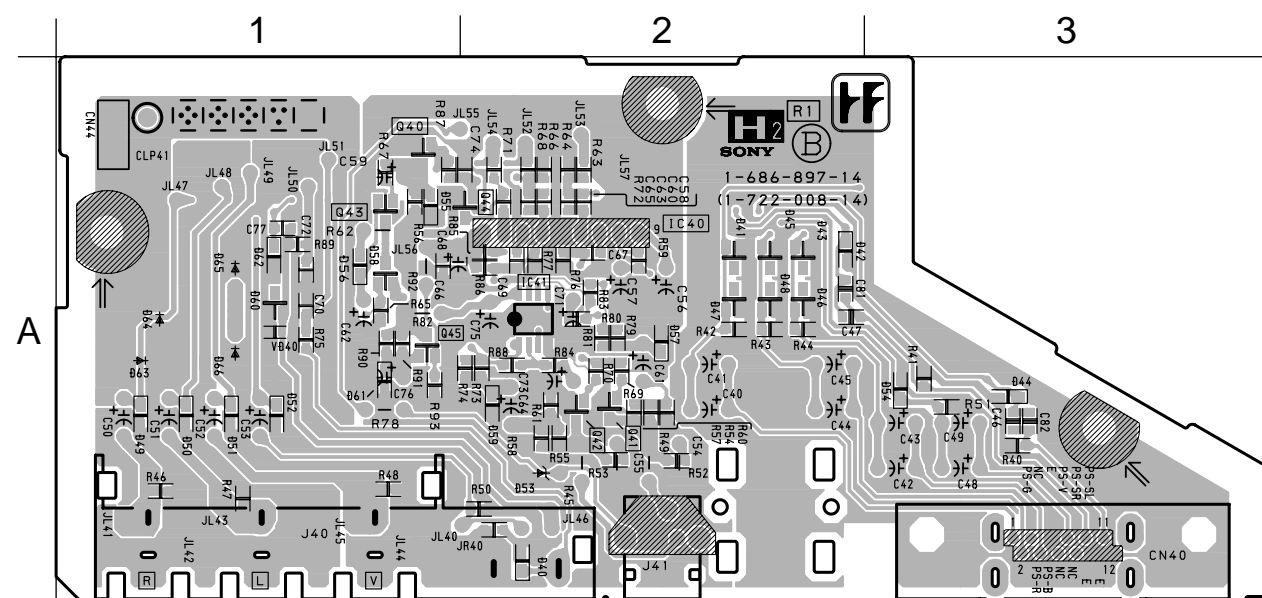


**H2** [ INPUT TERMINAL ]

— H2 BOARD —



<COMPONENT SIDE>



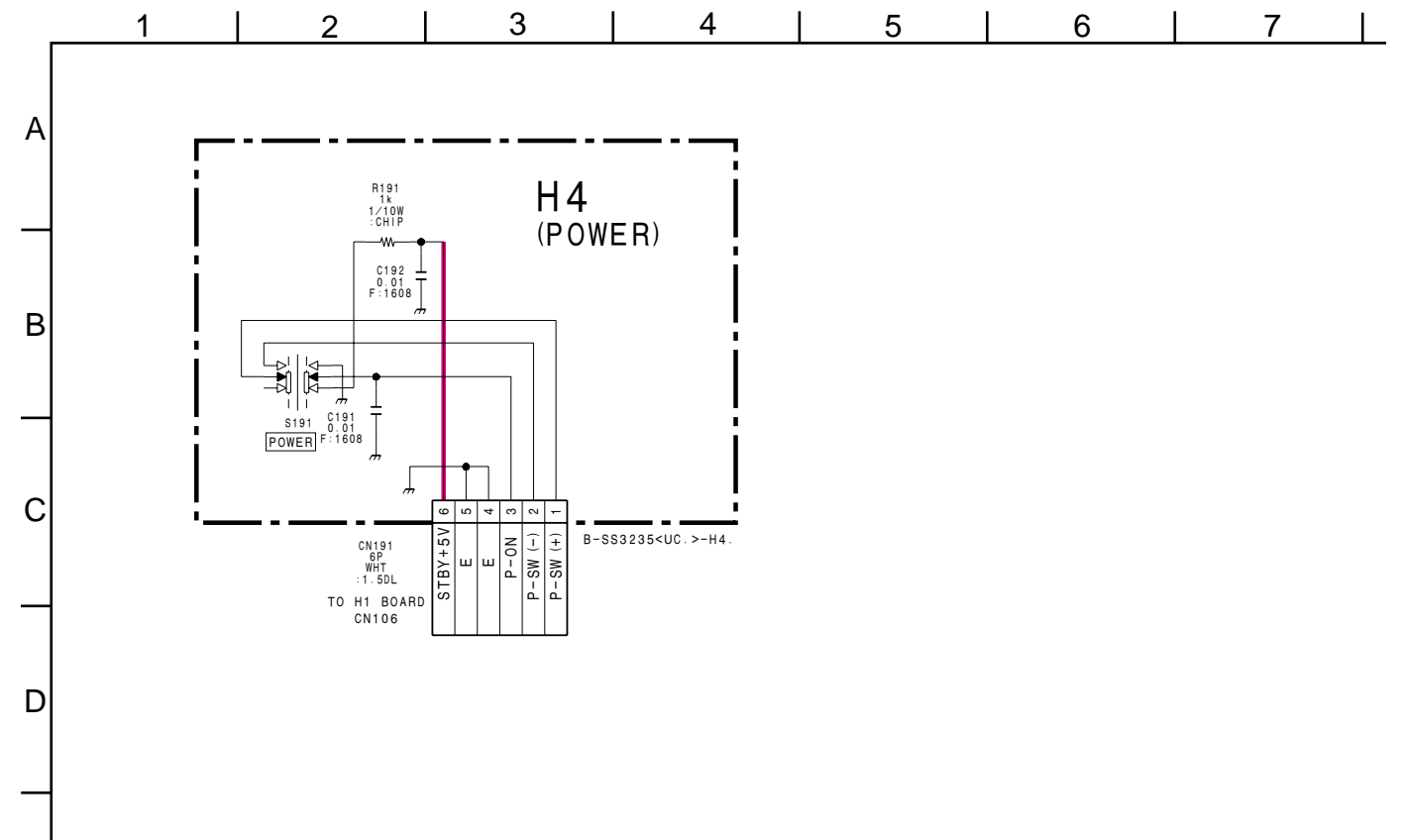
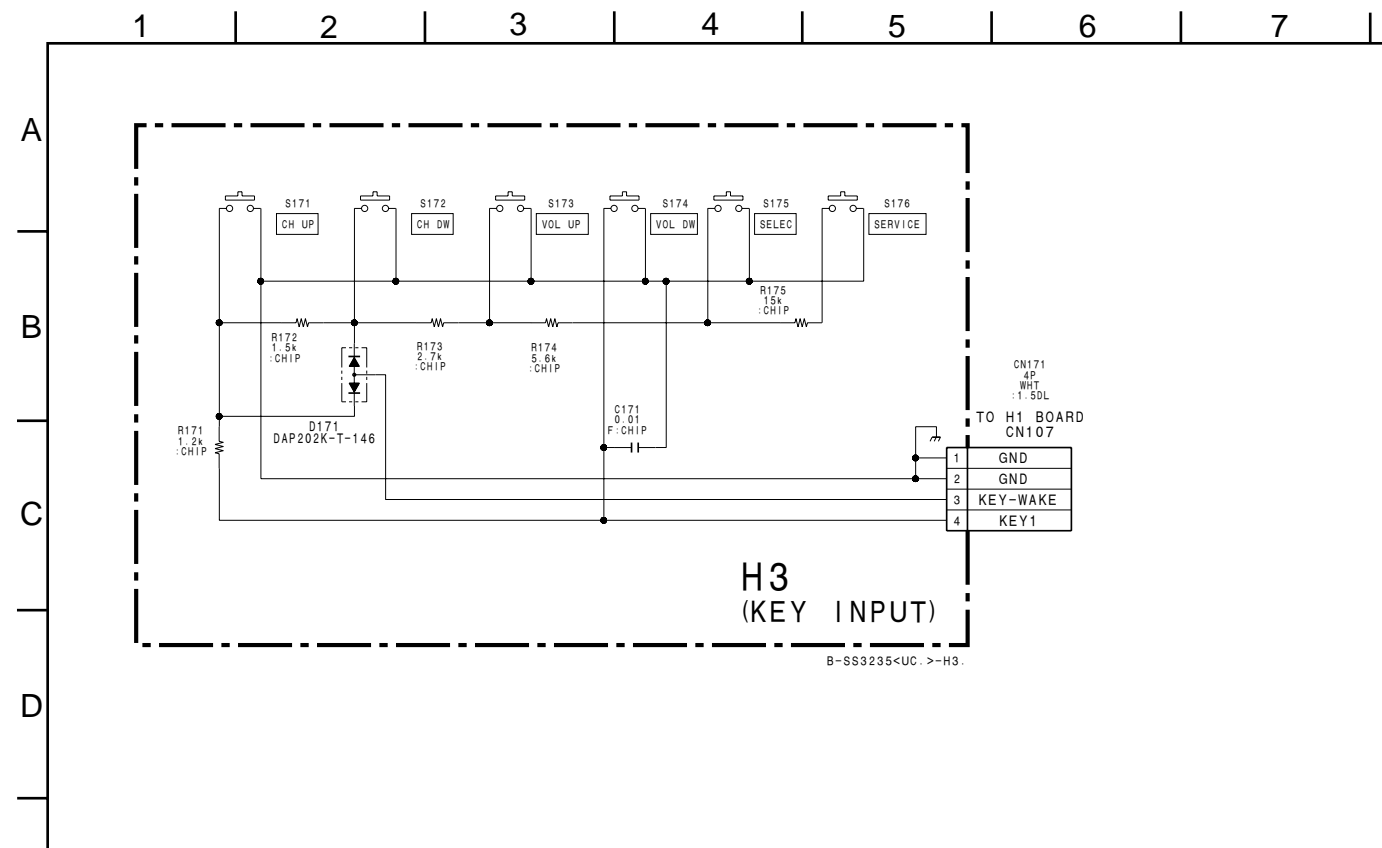
<CONDUCTOR SIDE>

• H2 BOARD SEMICONDUCTOR LOCATION

DIODE	
(COMPONENT SIDE)	(CONDUCTOR SIDE) *
D40	A-2 (3)
D49	A-1 (3)
D50	A-1 (3)
D51	A-1 (3)
D52	A-1 (3)

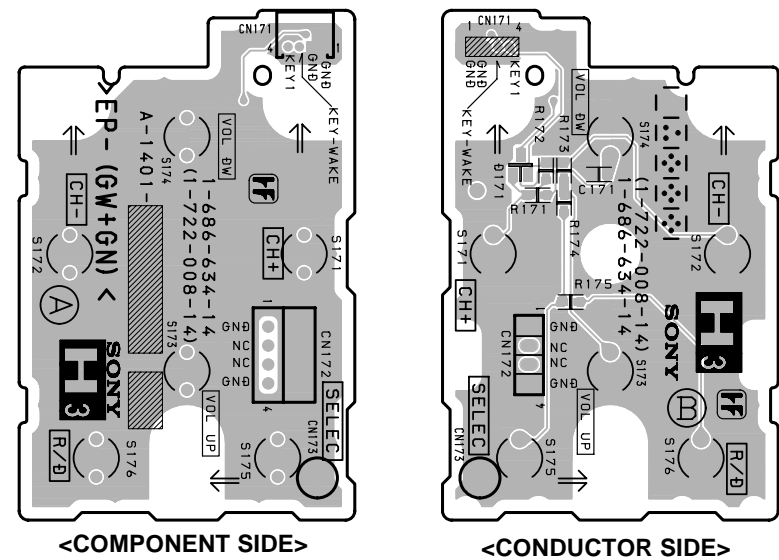
\*: Refer to Terminal name of semiconductors in silk screen printed circuit (see page 3-17)

(7) Schematic Diagrams of H3 AND H4 Boards



**H3** [ KEY INPUT ]

— H3 BOARD —



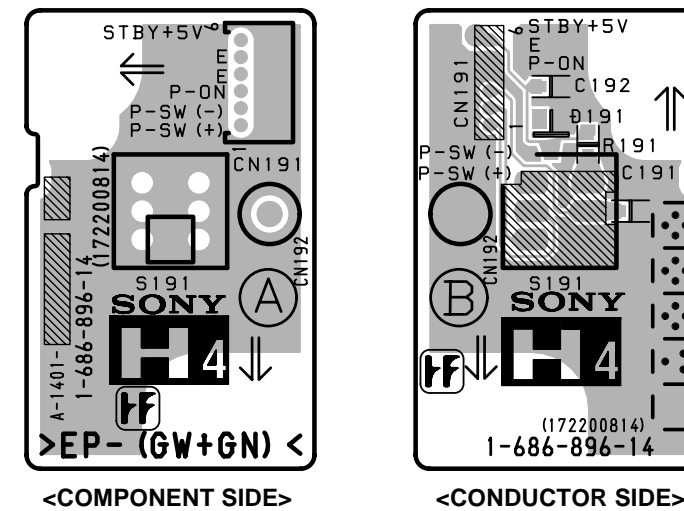
**H3 BOARD**  
Terminal name of semiconductors in silk screen printed circuit (\*)

Ref.	*
D171	⑩

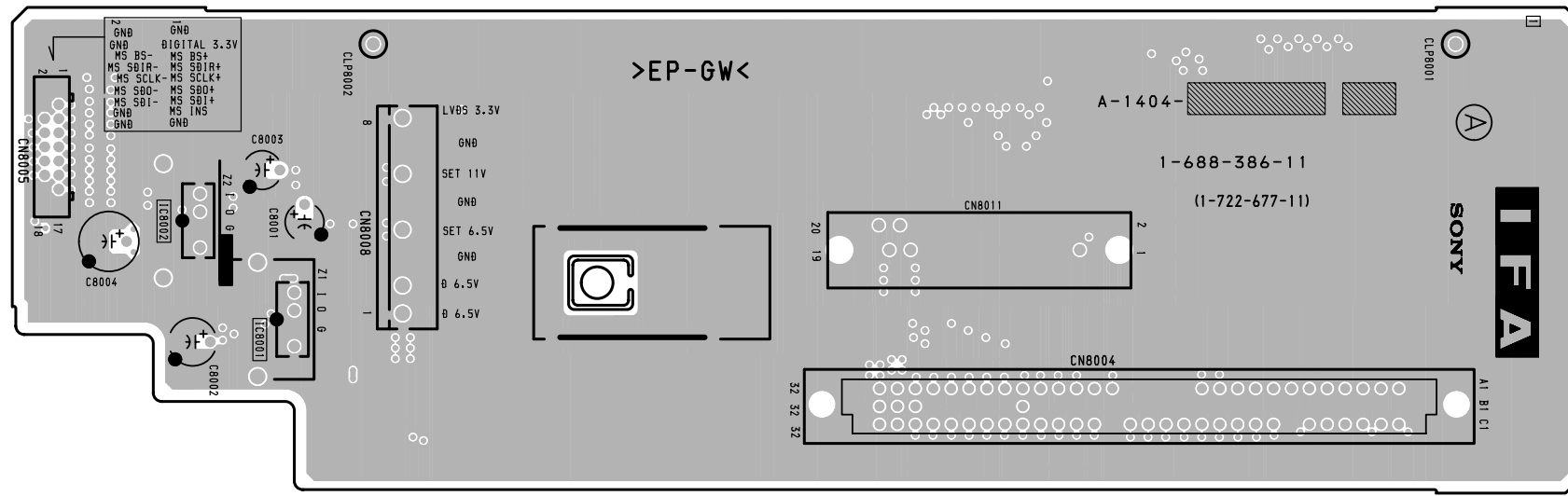
※: Refer to Terminal name of semiconductors in silk screen printed circuit (see page 3-17)

**H4** [ POWER ]

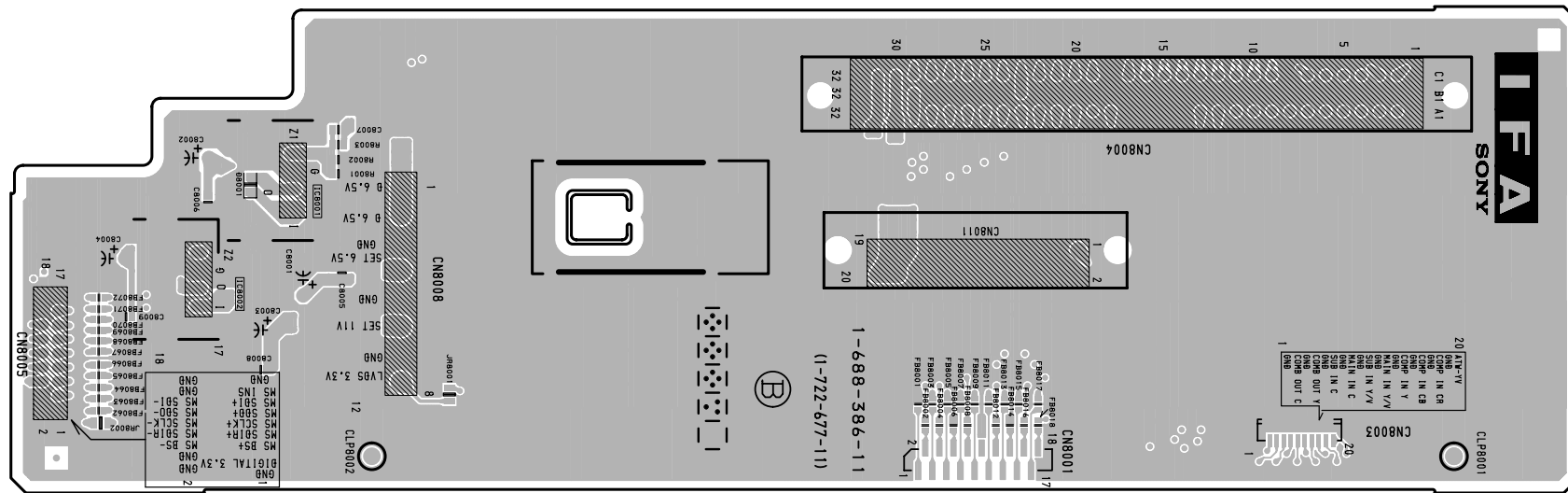
— H4 BOARD —







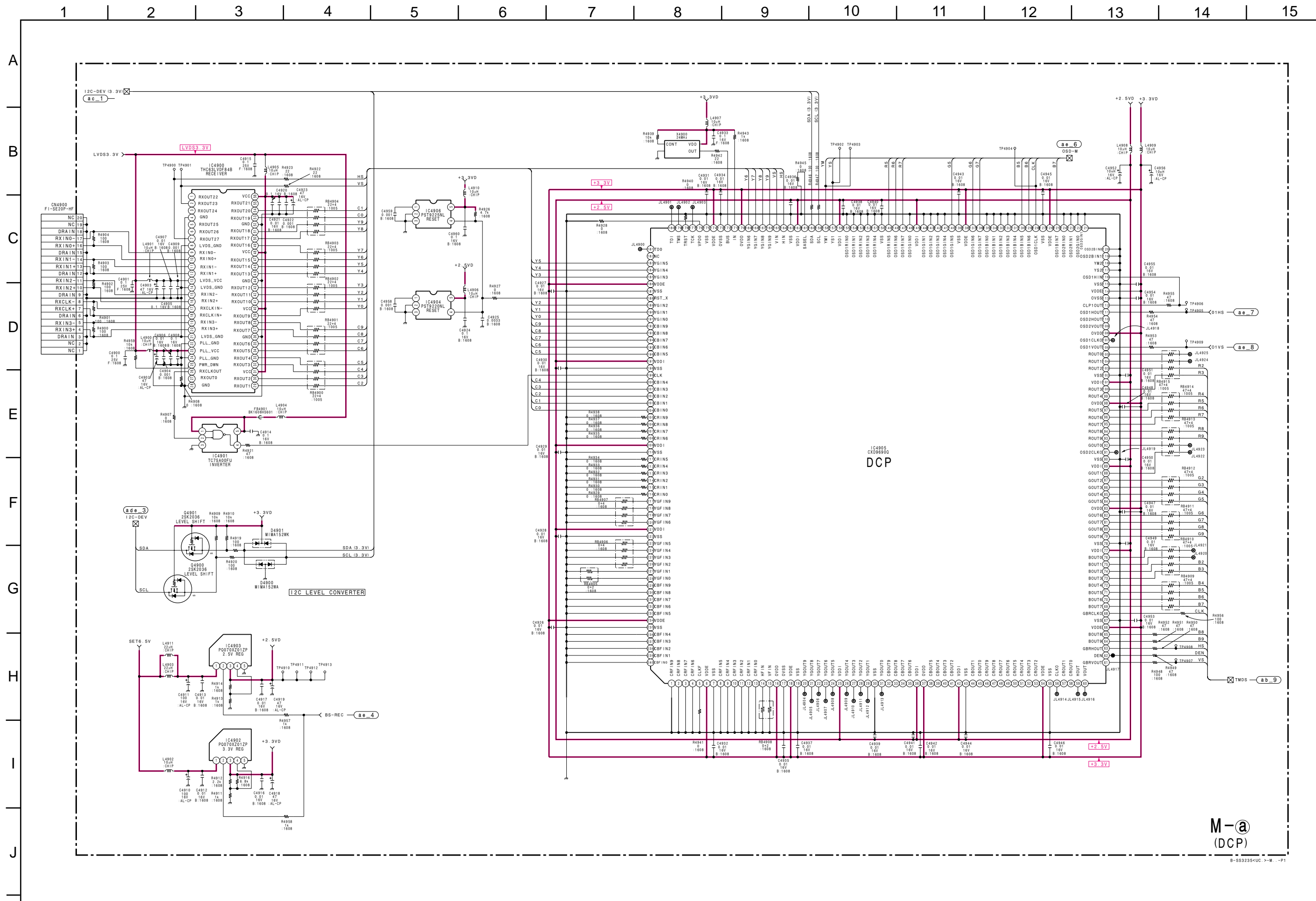
<COMPONENT SIDE>



<CONDUCTOR SIDE>

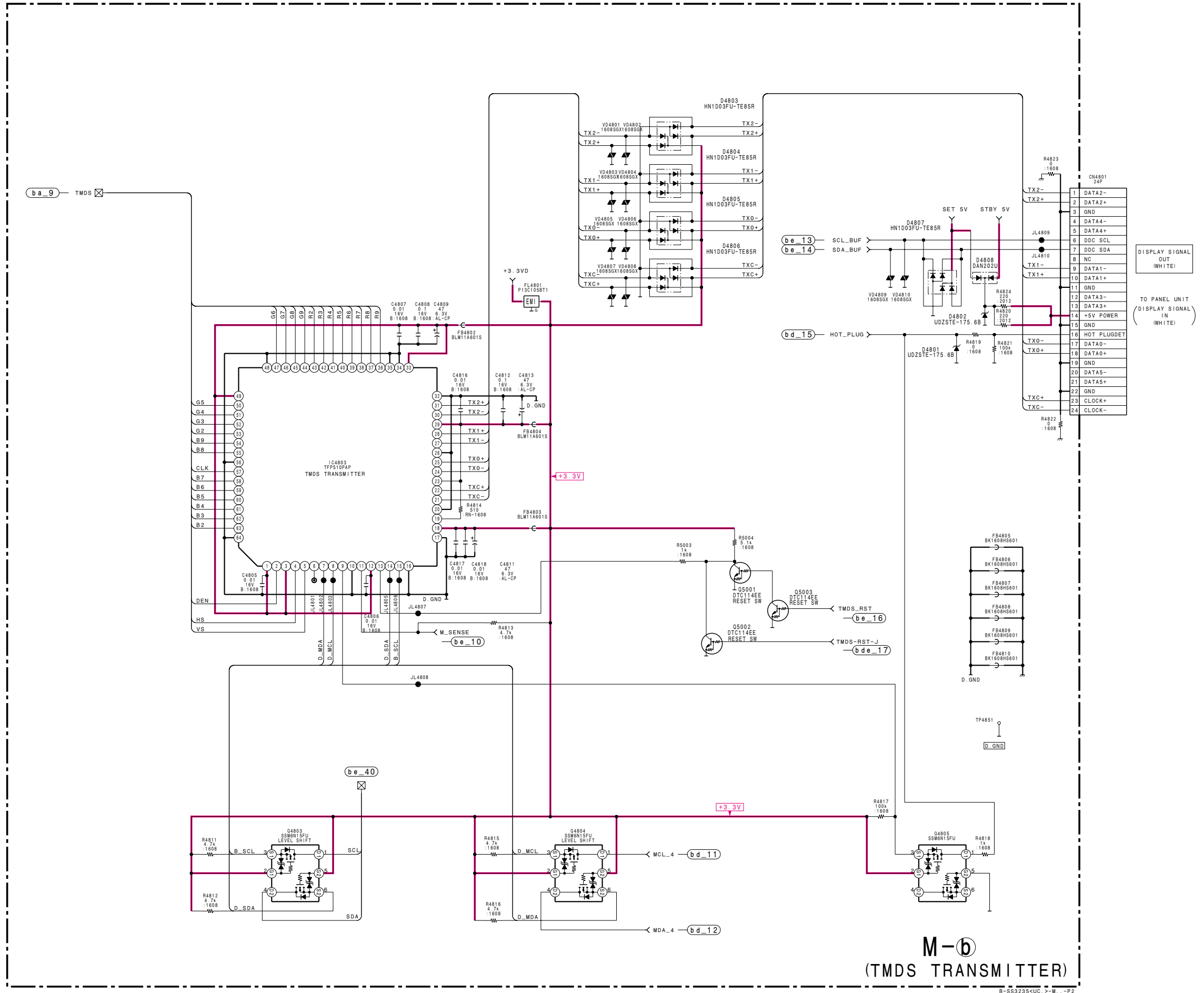


(9) Schematic Diagrams of M Board



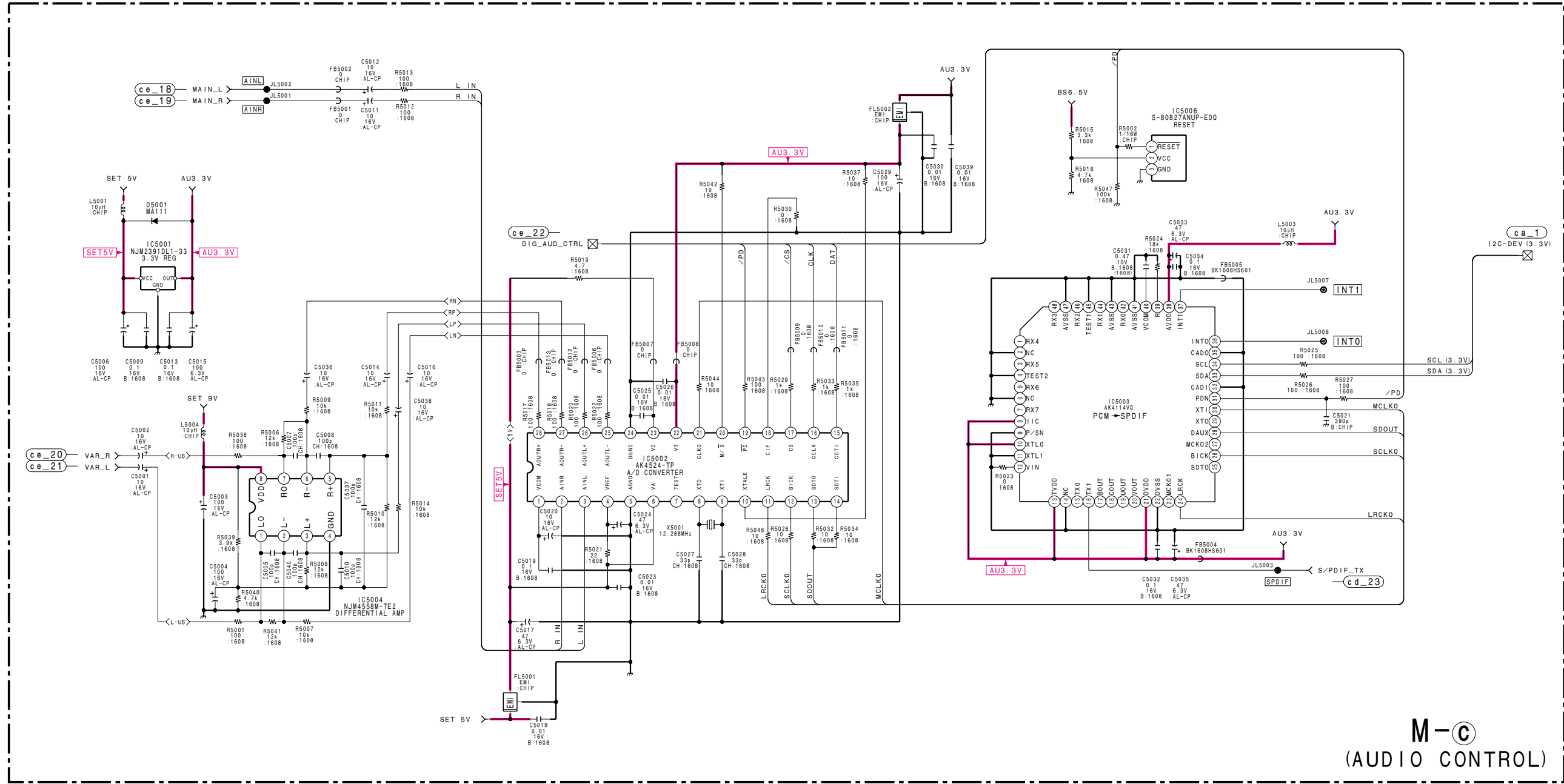
M-a  
(DCP)

B-563235-UC -> B -P1



**M-b**  
(TMDS TRANSMITTER)

B-553235<UC>-M--P2



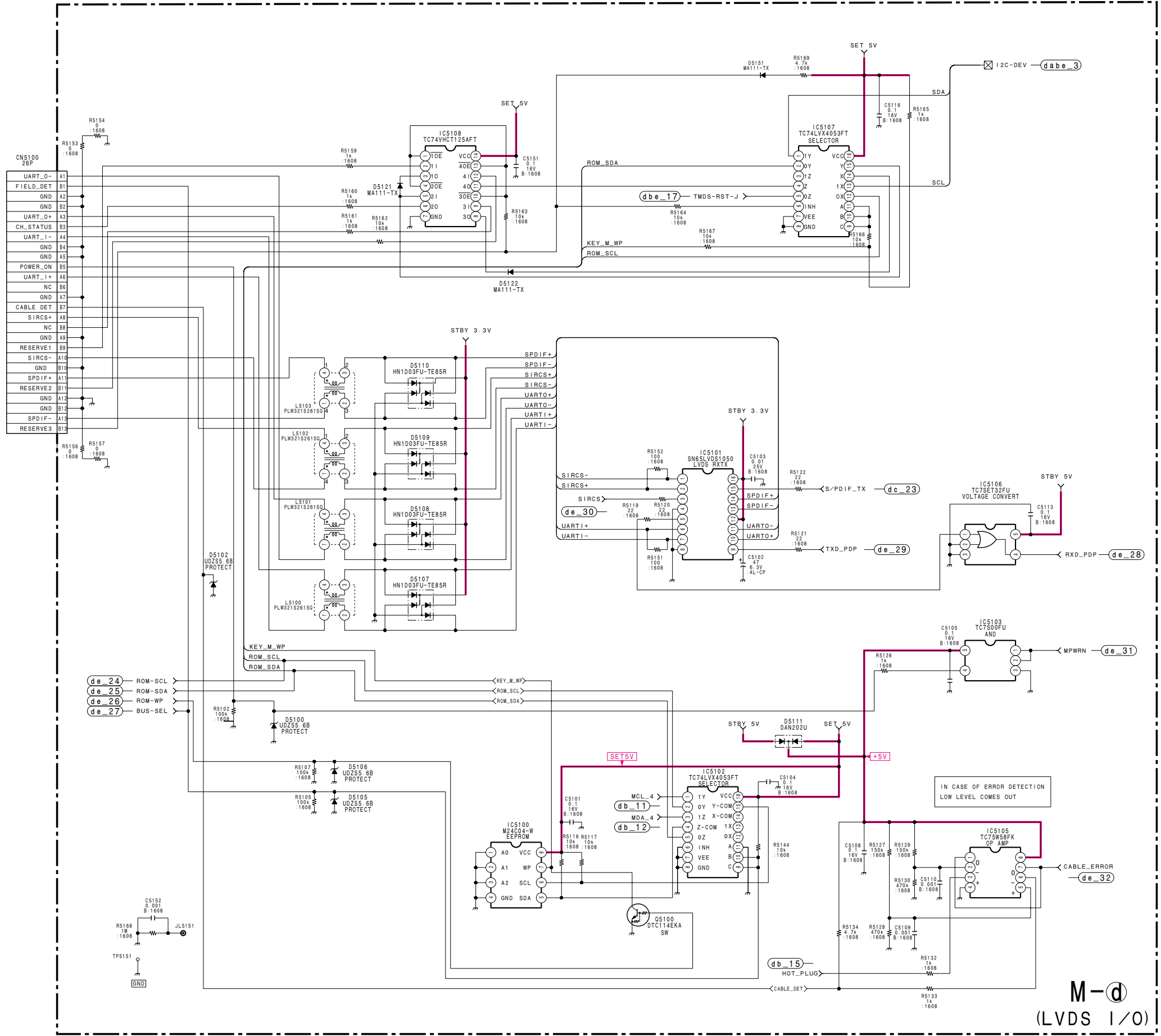
**M-C**  
(AUDIO CONTROL)

B-SS3235UC -> M - P3

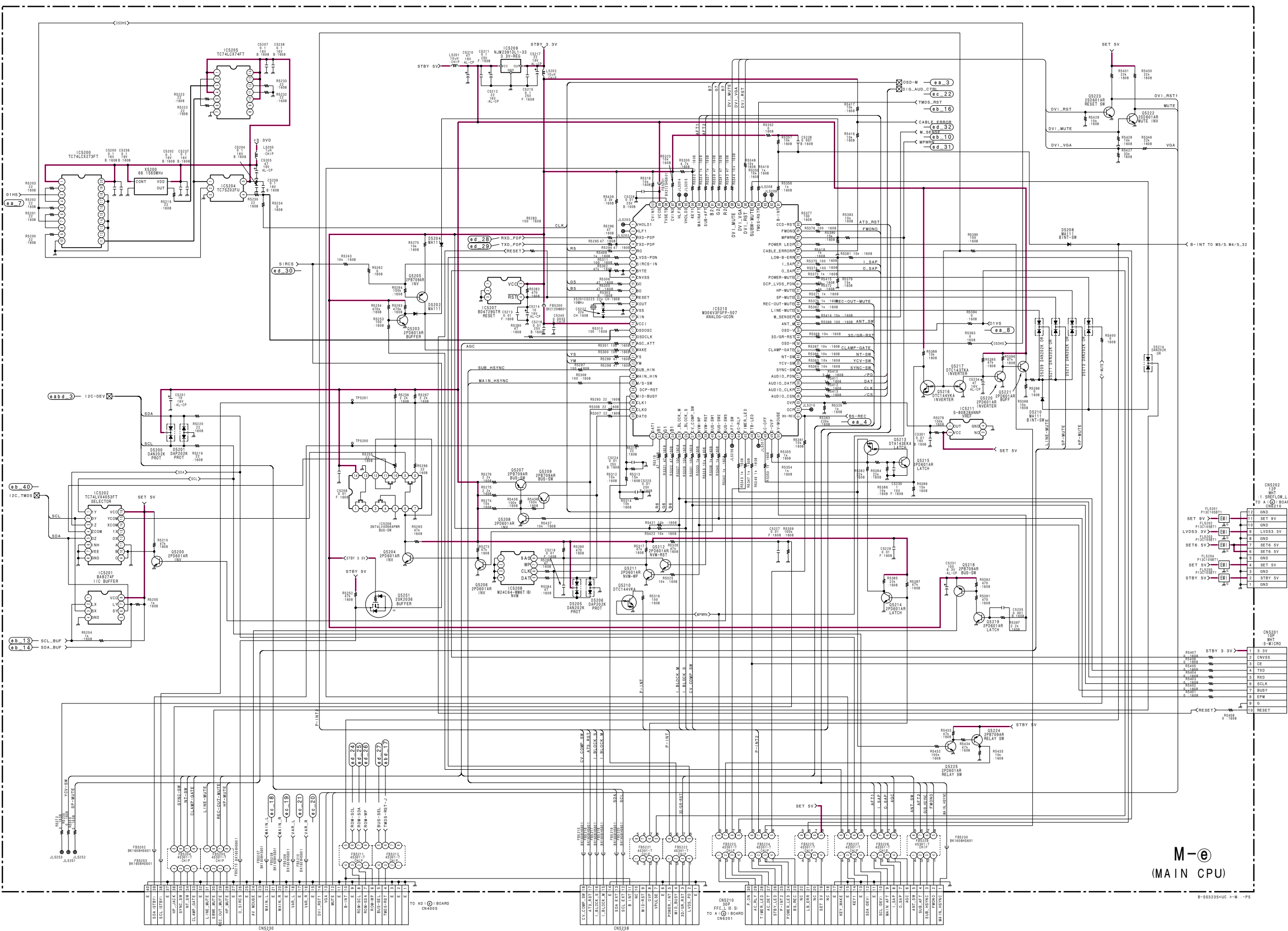
A  
B  
C  
D  
E  
F  
G  
H  
I  
J

TO PANEL UNIT (DISPLAY SIGNAL IN (BLACK))

CNS100	26P
UART_0-	A1
FIELD_DET	B1
GND	A2
GND	B2
UART_0+	A3
CH_STATUS	B3
GND	A4
GND	B4
UART_1-	A4
GND	A5
GND	B5
POWER_ON	B5
UART_1+	A6
NC	B6
GND	A7
GND	B7
CABLE_DET	B7
SIRCS+	A8
NC	B8
GND	A9
GND	B9
RESERVE1	B9
SIRCS-	A10
GND	B10
SPDIF+	A11
RESERVE2	B11
GND	A12
GND	B12
SPDIF-	A13
RESERVE3	B13



**M-d**  
**(LVDS I/O)**

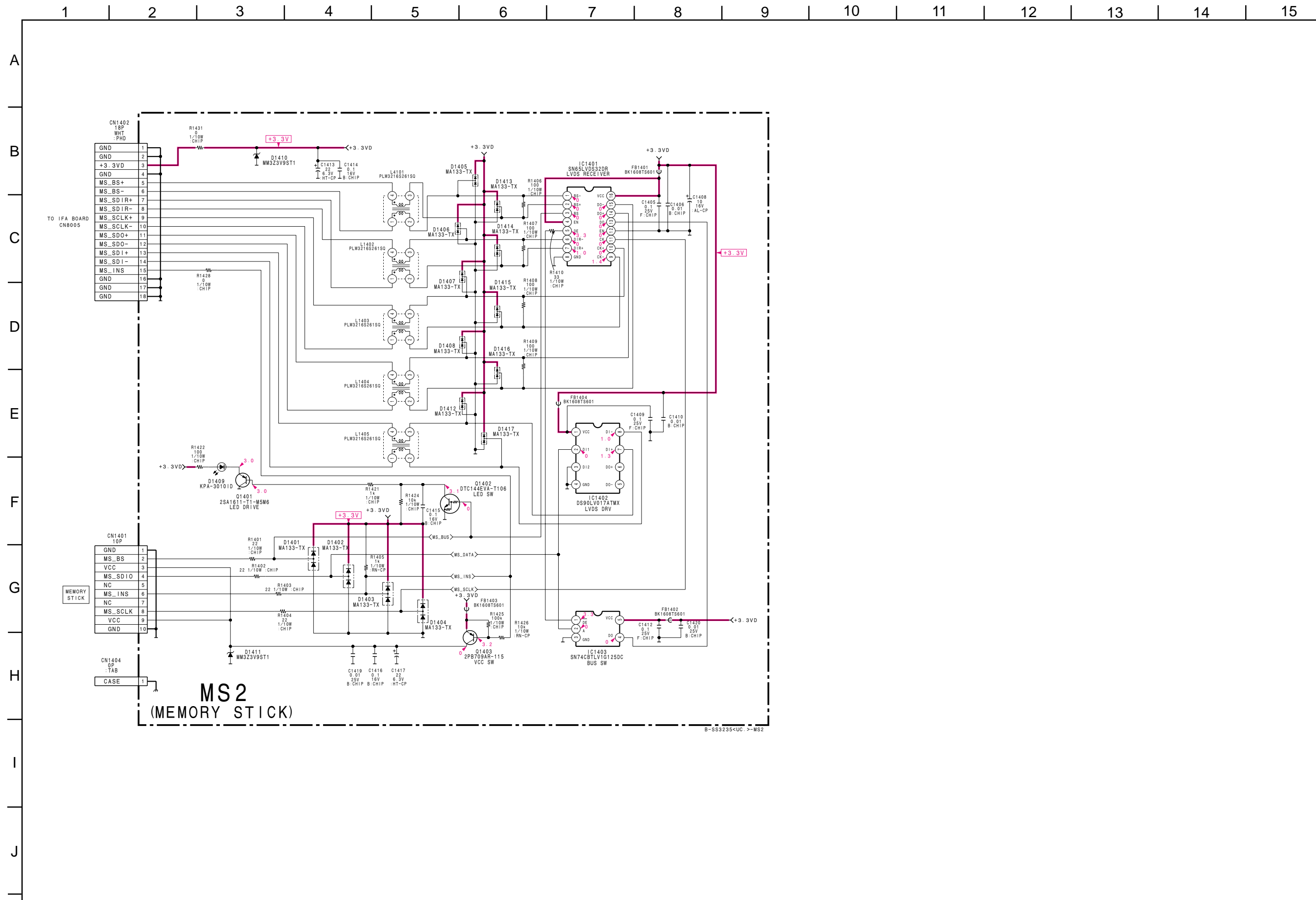


M-Ⓢ  
(MAIN CPU)



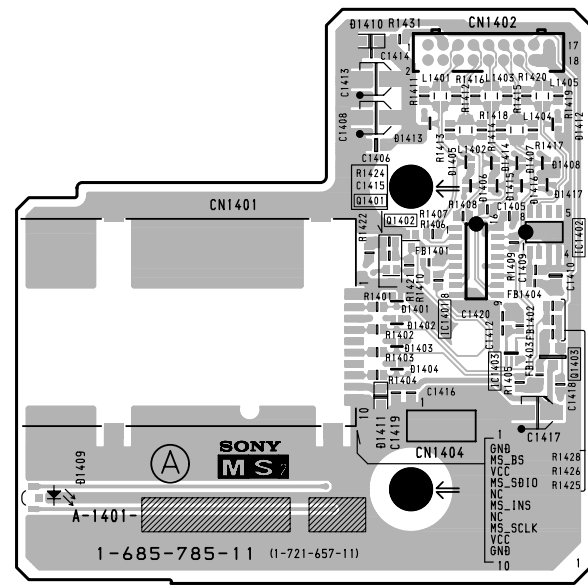


(10) Schematic Diagram of MS2 Board

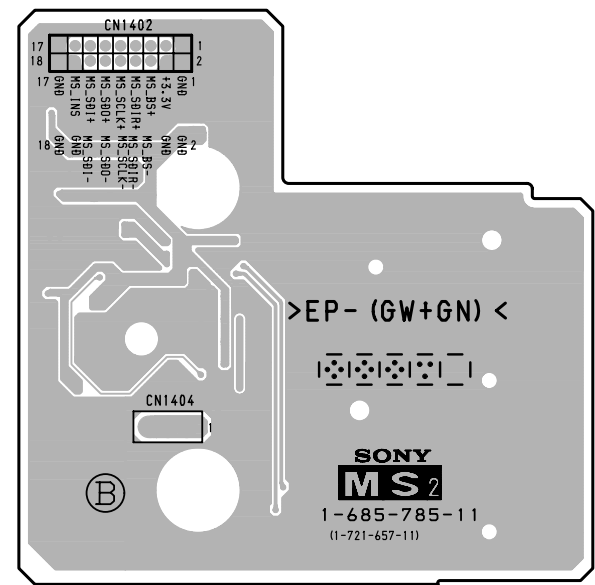


# MS2 [ MEMORY STICK ]

— MS2 BOARD —



<COMPONENT SIDE>



<CONDUCTOR SIDE>

## MS2 BOARD

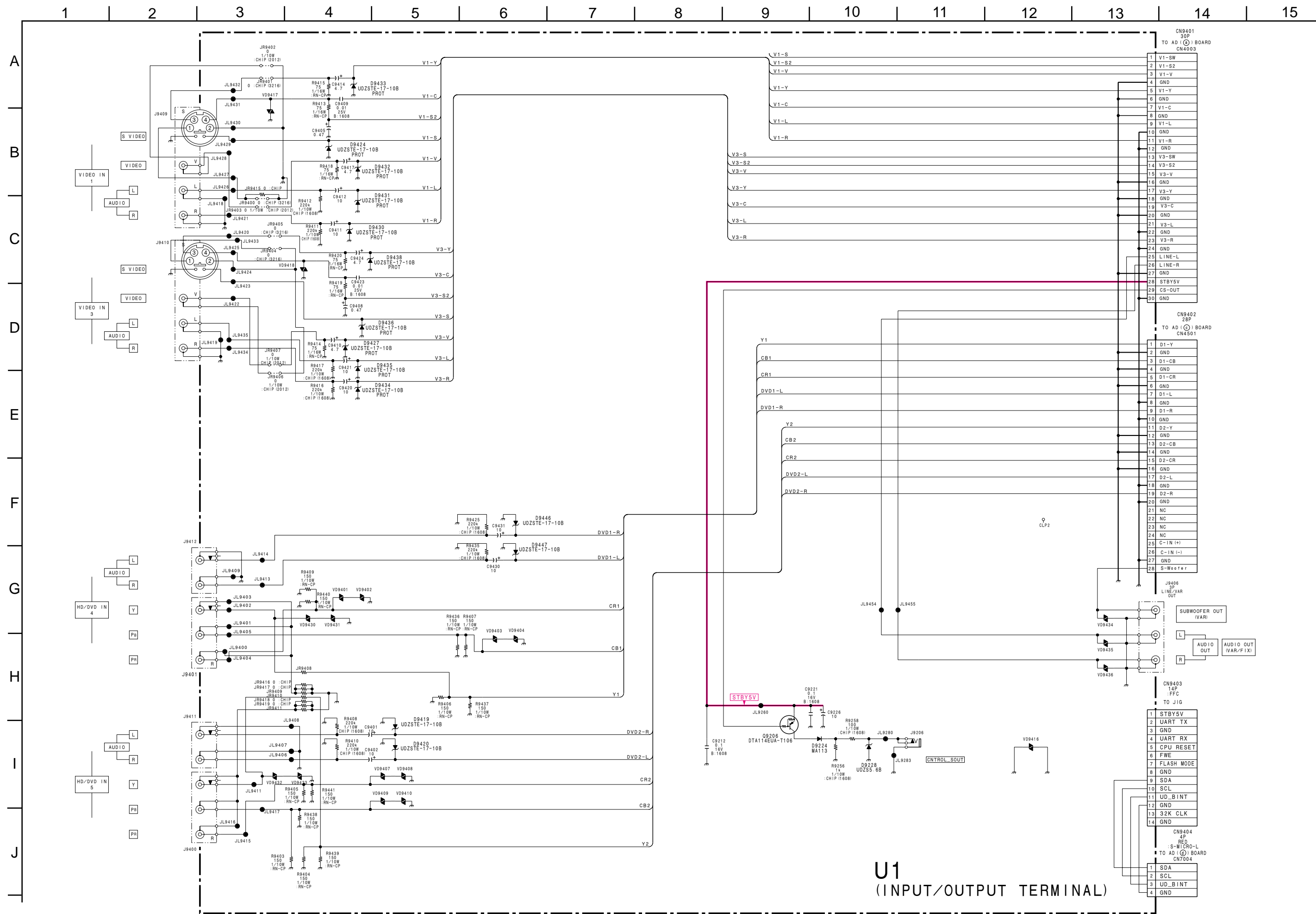
Terminal name of semiconductors in silk screen printed circuit (\*)

Ref.	*
Q1401 - Q1403	②
D1401 - D1408	⑦
D1412 - D1417	③
D1410, D1411	③
D1409	-

\*: Refer to Terminal name of semiconductors in silk screen printed circuit (see page 3-17)



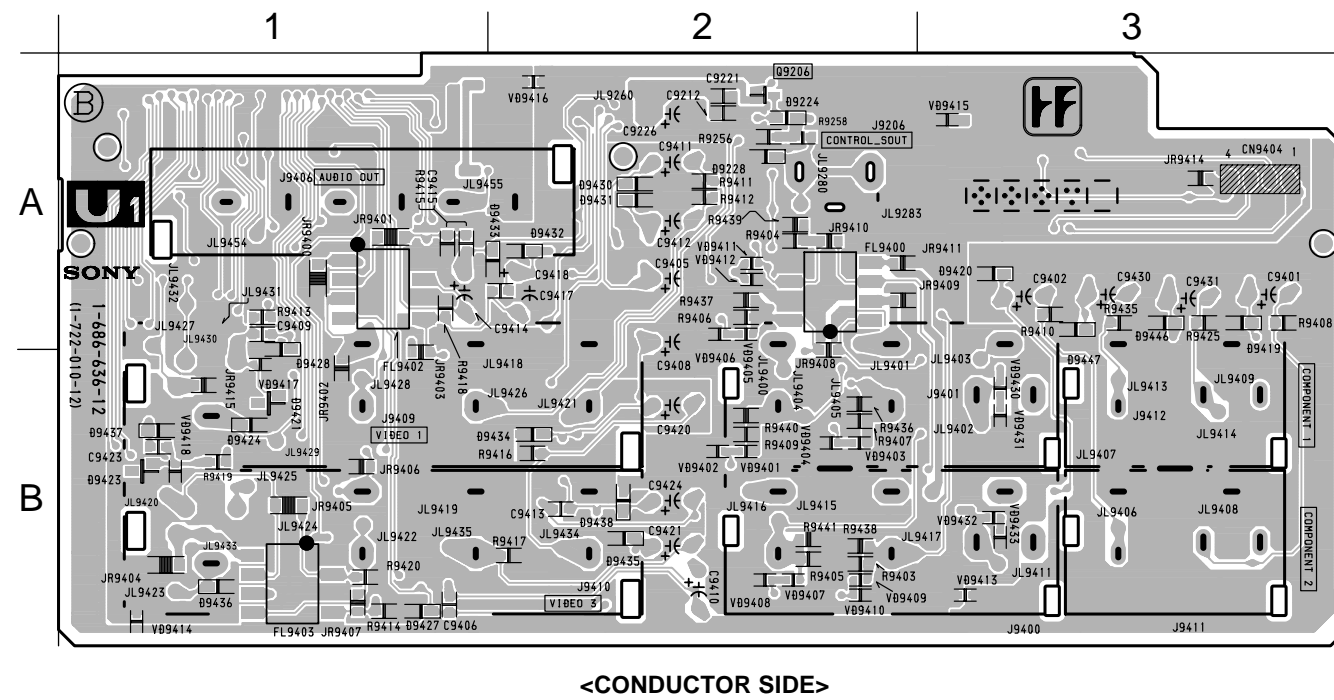
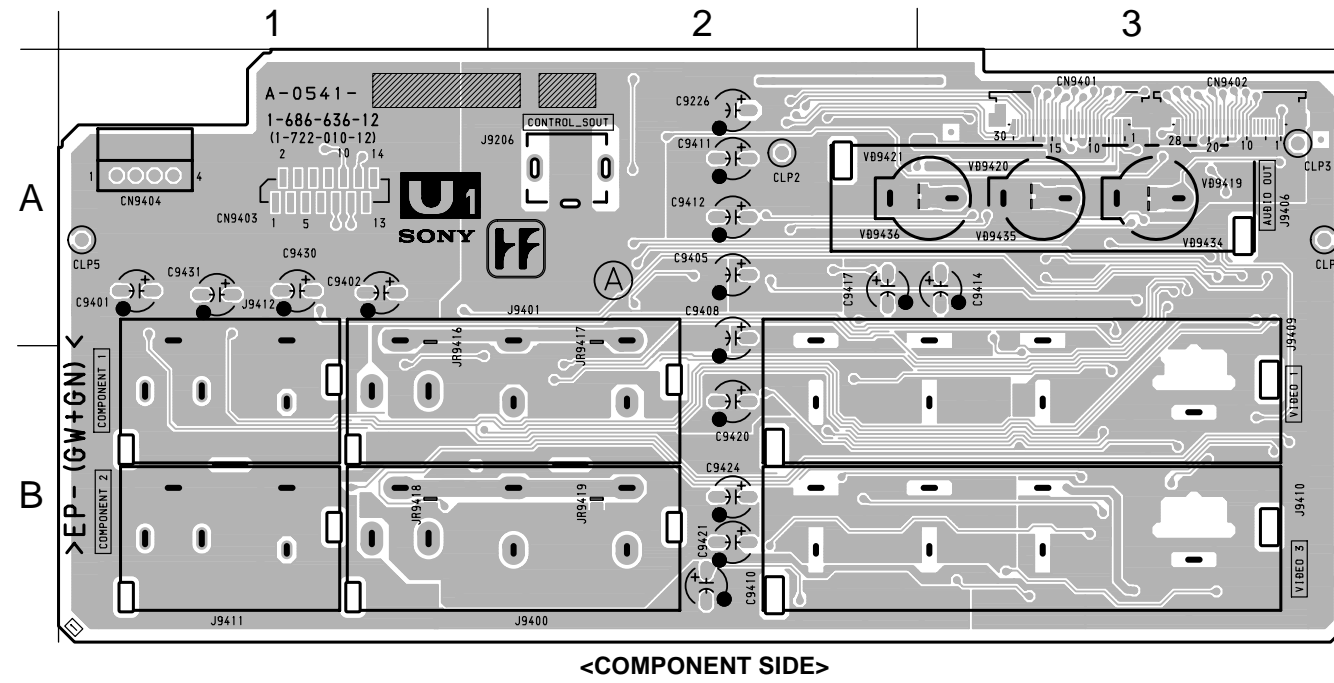
(11) Schematic Diagram of U1 Board



B-SS3235<UC>->U1

# U1 [ INPUT/OUTPUT TERMINAL ]

— U1 BOARD —

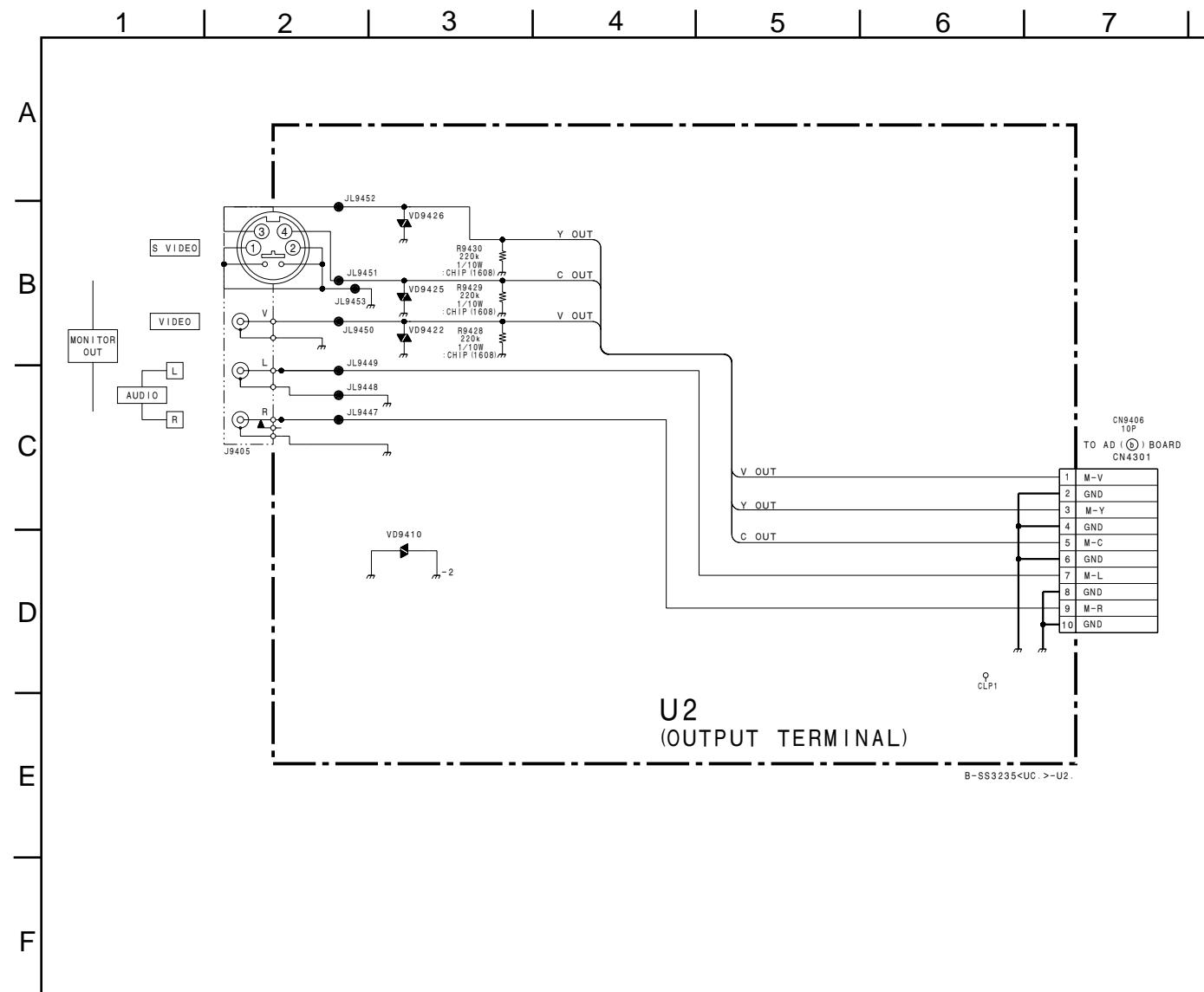


## • U1 BOARD SEMICONDUCTOR LOCATION

TRANSISTOR		
(COMPONENT SIDE)	(CONDUCTOR SIDE) *	
Q9206	A-2	①
DIODE		
(COMPONENT SIDE)	(CONDUCTOR SIDE) *	
D9224	A-2	②
D9228	A-2	③
D9419	A-3	④
D9420	A-3	⑤
D9424	B-1	⑥
D9427	B-1	⑦
D9430	A-2	⑧
D9431	A-2	⑨
D9432	A-2	⑩
D9433	A-2	⑪
D9434	B-2	⑫
D9435	B-2	⑬
D9436	B-1	⑭
D9438	B-2	⑮
D9446	A-3	⑯
D9447	A-3	⑰

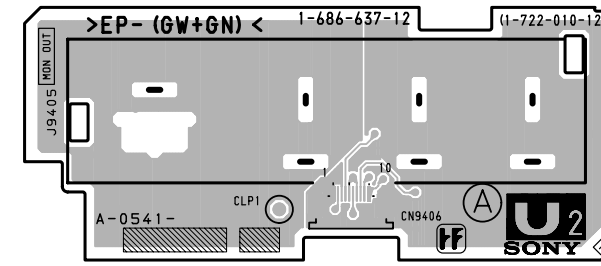
※: Refer Terminal name of semiconductors in silkscreen printed circuit (see page 3-17)

(12) Schematic Diagram of U2 Board

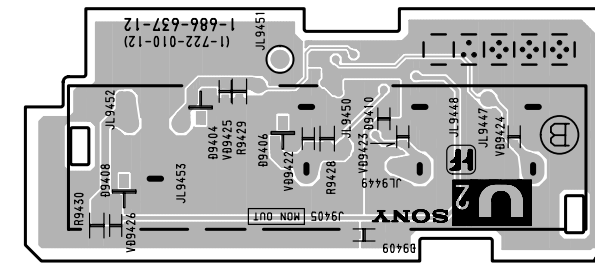


**U2** [ OUTPUT TERMINAL ]

— U2 BOARD —

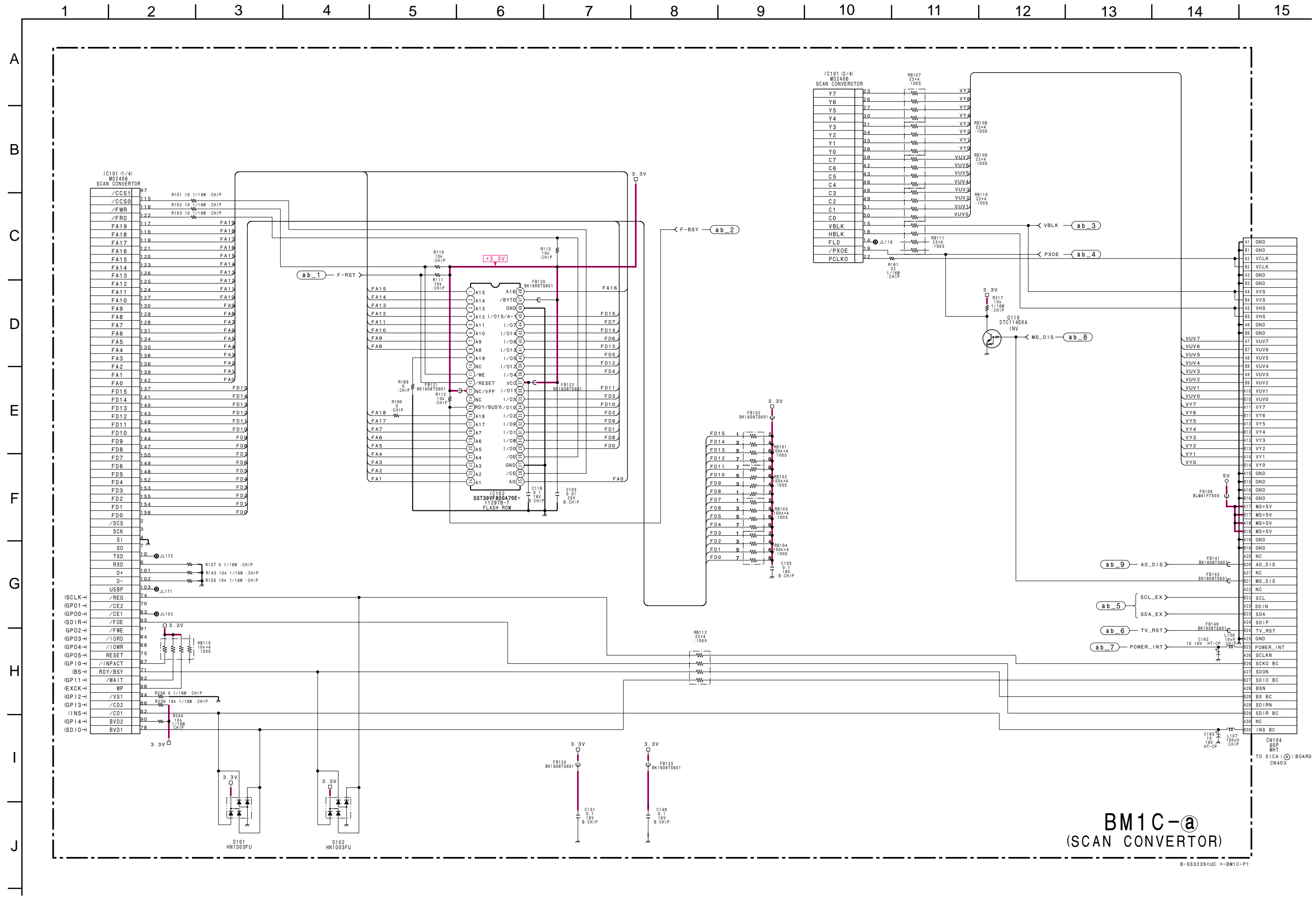


<COMPONENT SIDE>

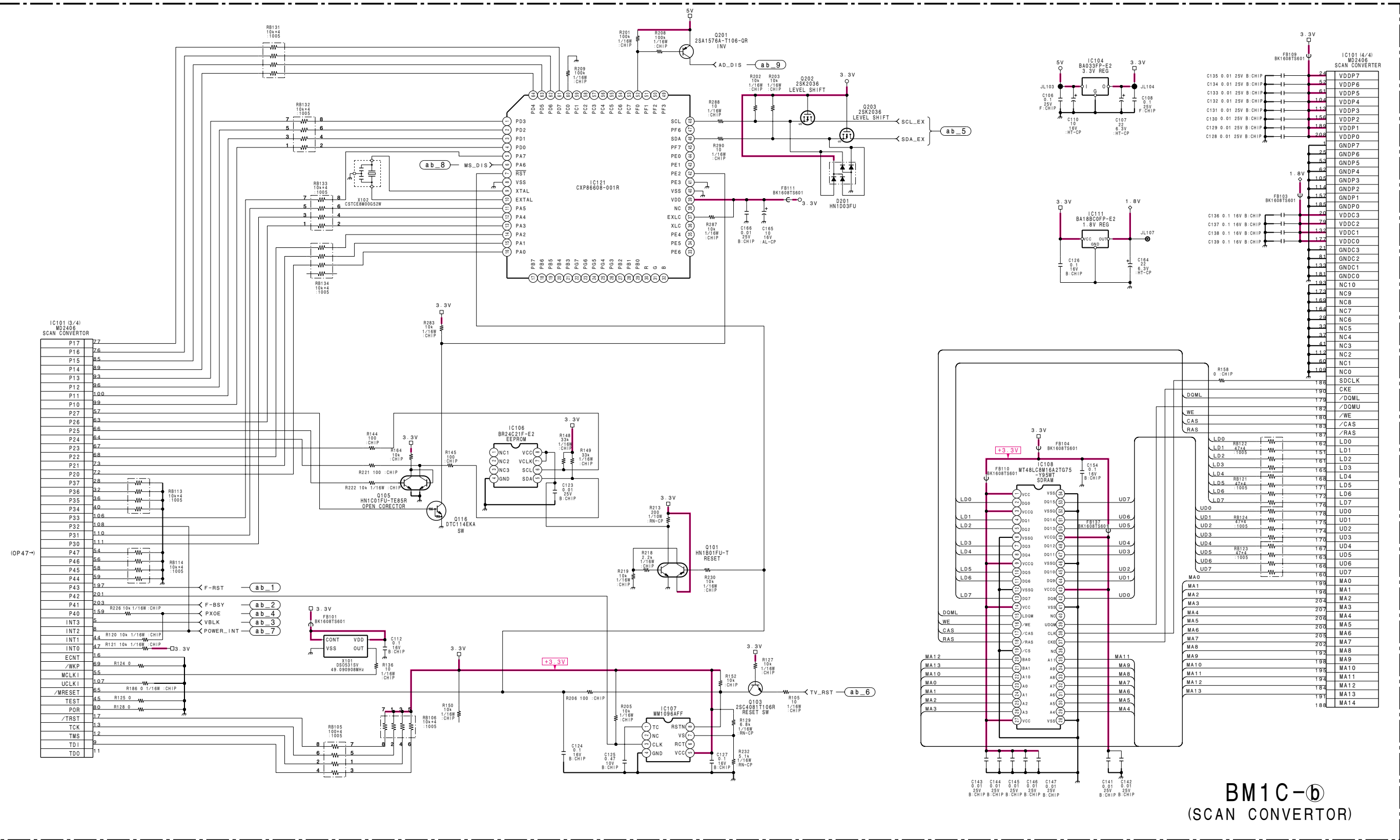


<CONDUCTOR SIDE>

(13) Schematic Diagrams of BM1C Board



**BM1C-a**  
(SCAN CONVERTOR)

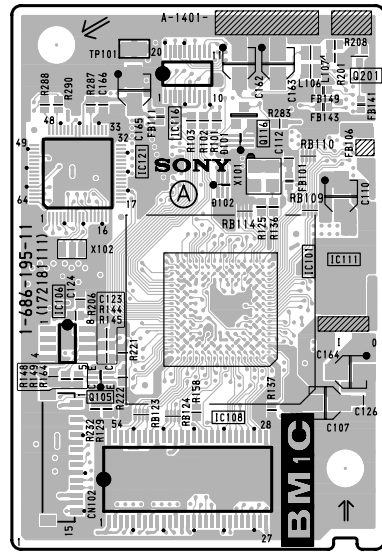


**BM1C-6**  
(SCAN CONVERTOR)

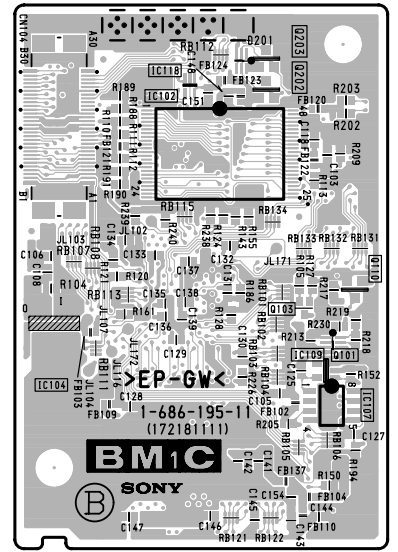
B-SS3235-CUC -> BM1C-P2

# BM1C [ SCAN CONVERTER ]

— BM1C BOARD —



<COMPONENT SIDE>



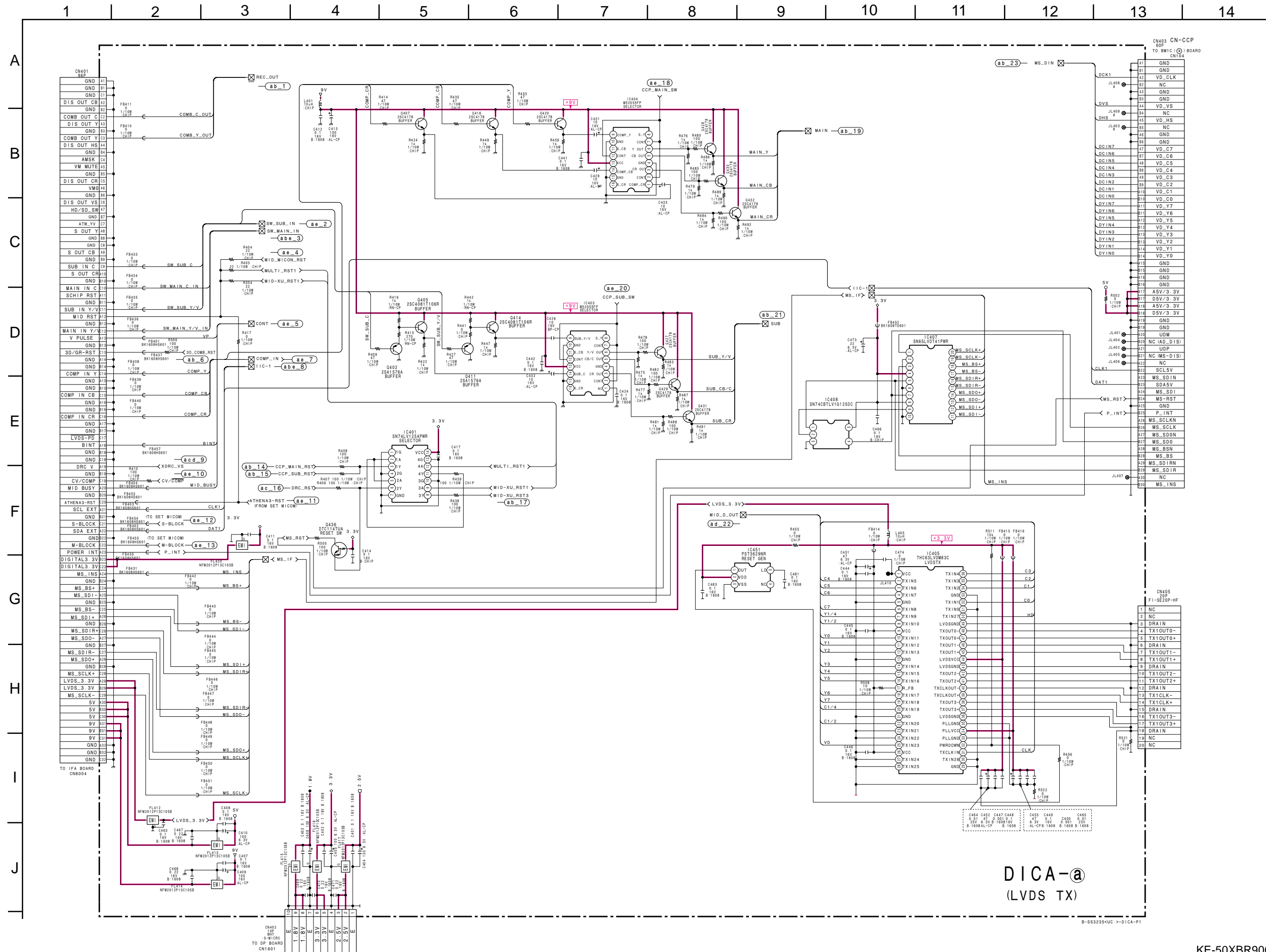
<CONDUCTOR SIDE>

**BM1C BOARD**  
Terminal name of semiconductors in silk screen printed circuit (\*)

Ref.	*
Q101, Q103, Q110, Q116, Q201	②
Q202, Q203	⑬
Q105	⑰

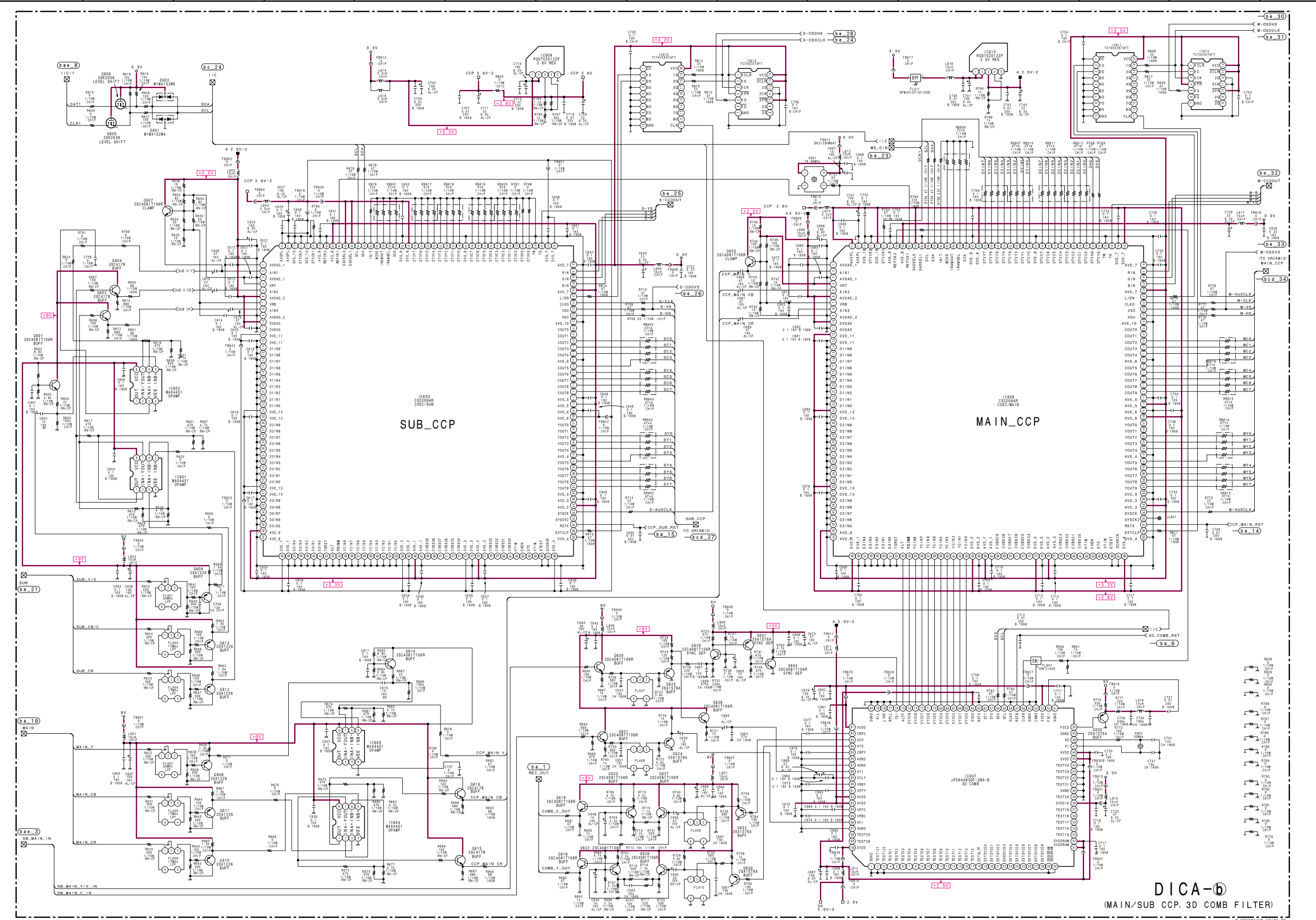
※: Refer to Terminal name of semiconductors in silk screen printed circuit (see page 3-17)

(14) Schematic Diagrams of DICA Board



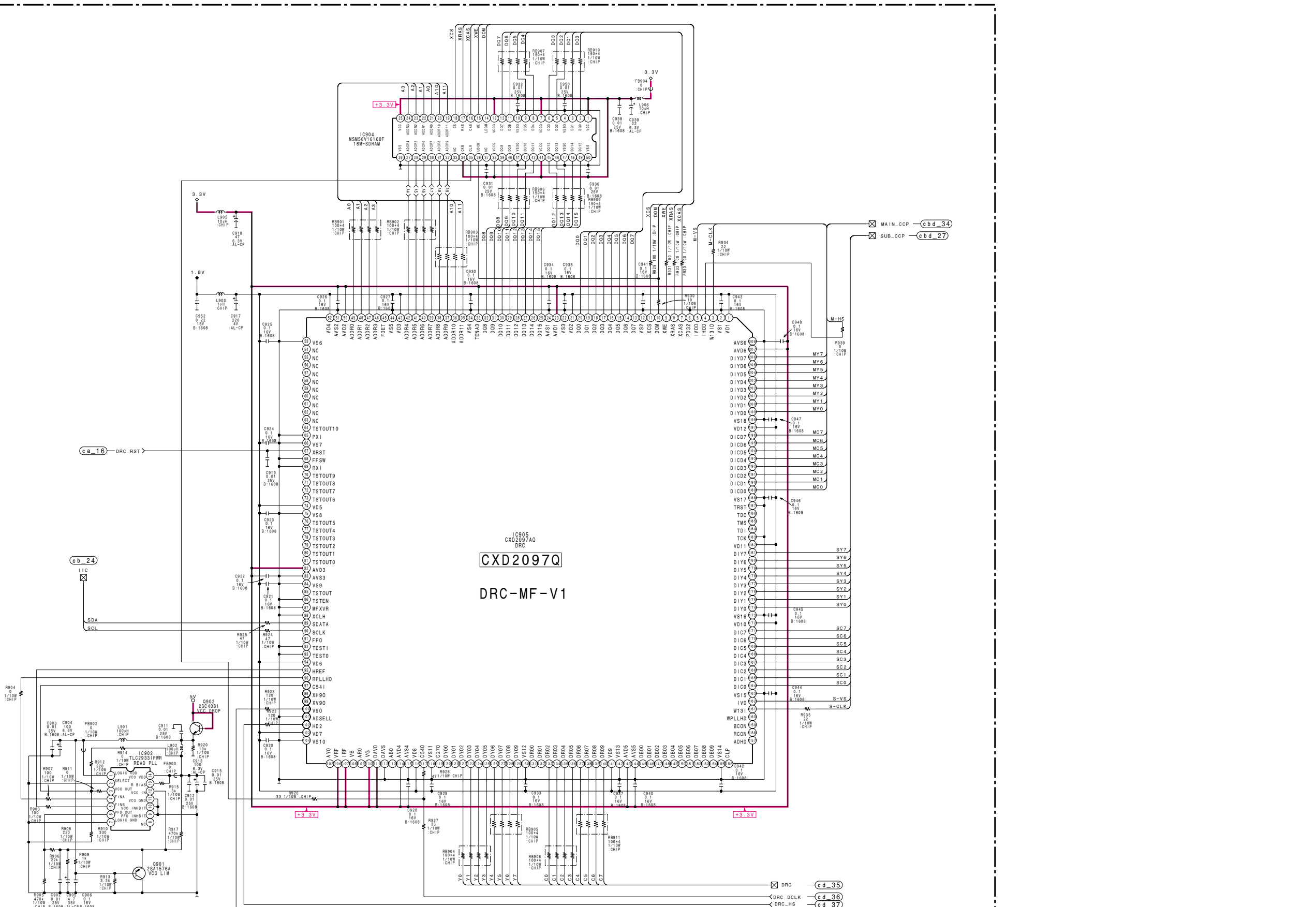
DICA-a  
(LVDS TX)





DICA-6 (MAIN/SUB CCP, 3D COMB FILTER)



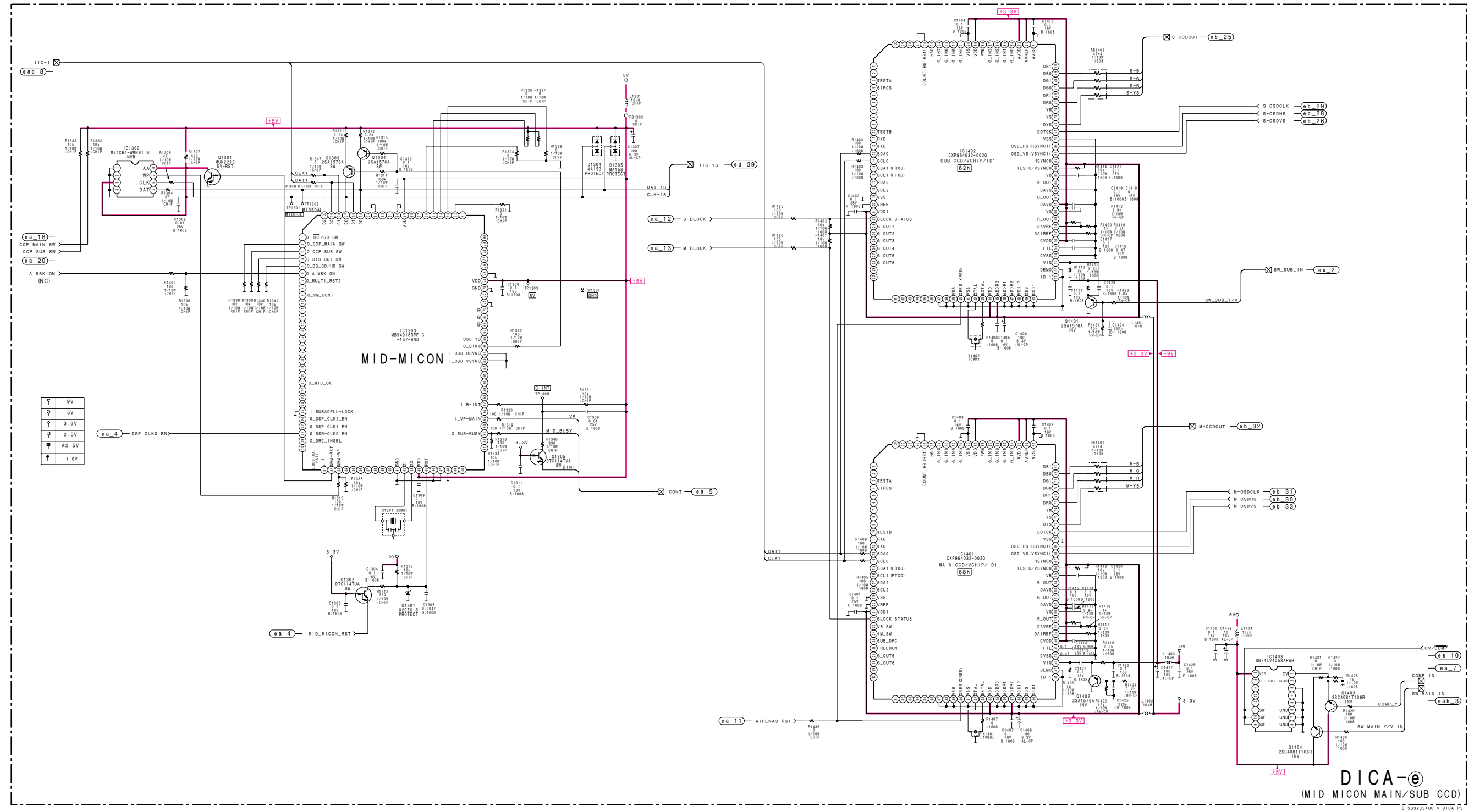


IC905  
CXD2097AQ  
DRC  
**CXD2097Q**  
DRC-MF-V1

**DICA-©**  
(DRC-MF)

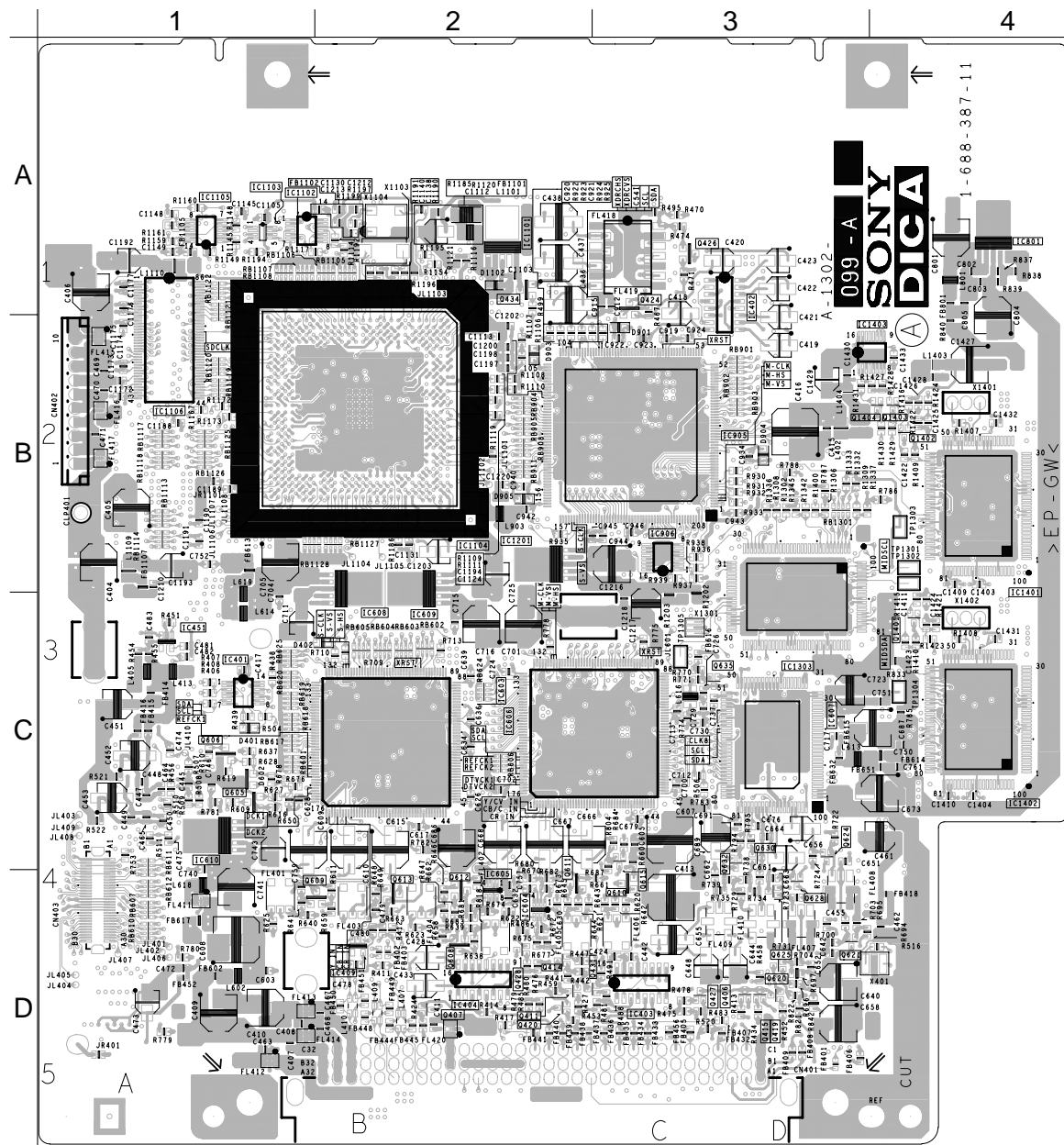
B-55325<UC> ->C1CA-P3



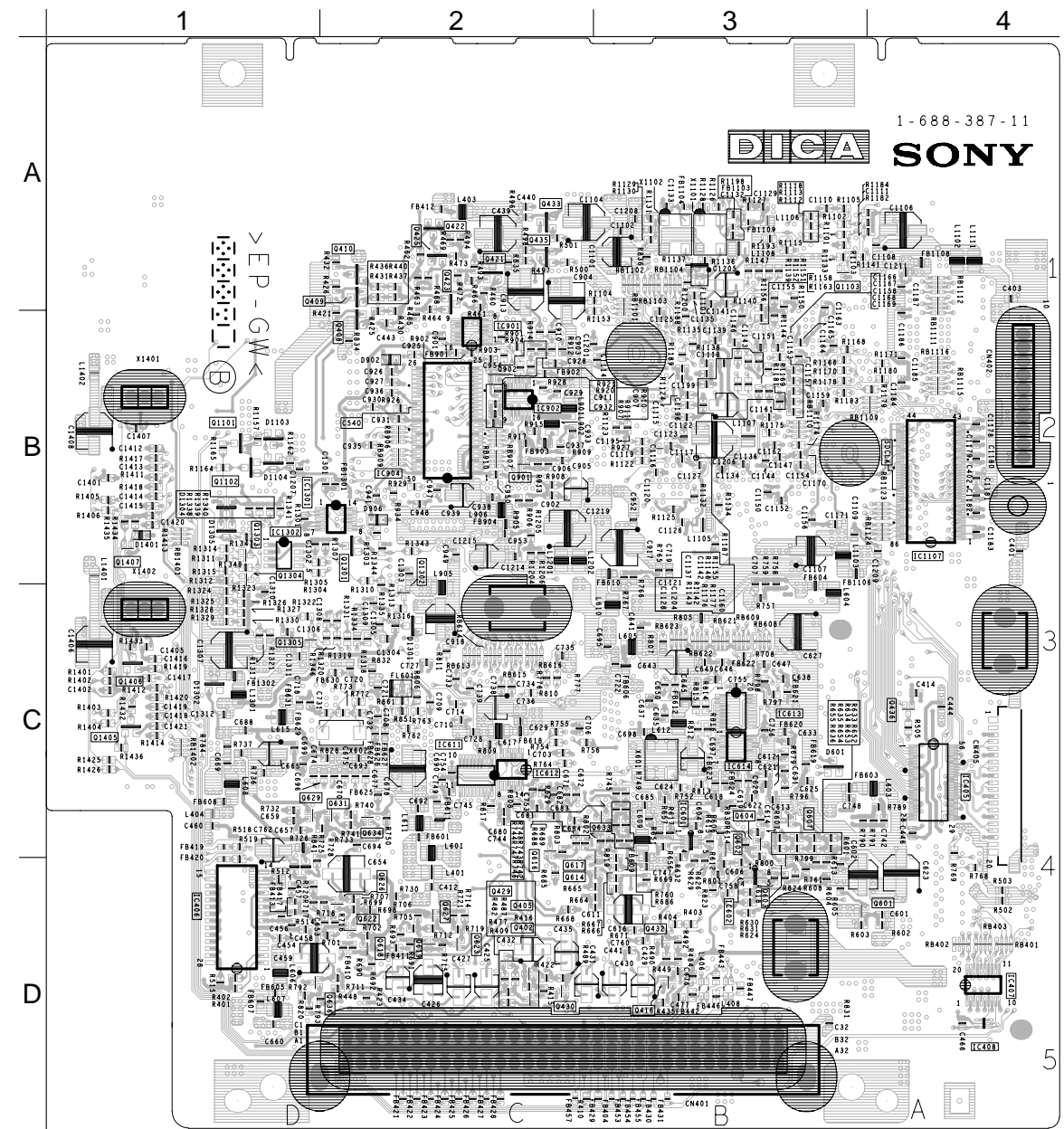


**DICA-©**  
(MID MICON MAIN/SUB CCD)  
R-833234UC 5-D1CA-F5

— DICA BOARD —



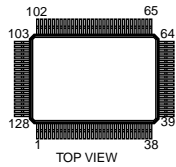
<COMPONENT SIDE>



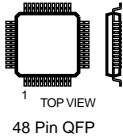
<CONDUCTOR SIDE>

### 3-5. SEMICONDUCTORS

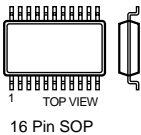
AD9888XS-170\_AD80073



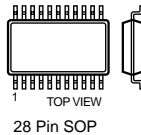
AK4114VQ-L  
CXA2163AQ-T6  
CXA2163Q-T6  
CXA2171Q-T6  
MC141627FT



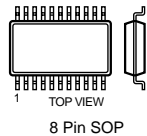
AK4352VT-E2  
MC74LVX4052DTR2  
MC74LVXT4053DTR2  
NJM2123V(Te2)  
SN65LVDS1050PWR  
SN74LV4052APWR  
"TC4052BF(EL,N)"  
TC74VHC123AFT(EL)  
TC74VHC153FT(EL)



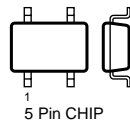
AK4524



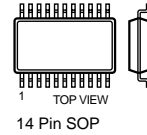
BA033F-E2  
DS90LV018ATMX  
LM393DT  
M24128-BWMN6T  
M24C02-WMN6T(A)  
M24C04-WMN6T(A)  
M24C16-MN6T  
M24C64-WMN6T(B)  
MM1096AFF  
NJM2374AM-TE2  
NJM2903V(Te2)  
NJM4558V-TE2  
SI-3025LSA-TL  
TC4W66F(Te12R)  
TC4W66F-TE12L  
TC7W08FU  
TC7W08FU(Te12R)  
TC7W53FU(Te12R)  
TC7WH00FU(Te12R)  
TC7WH74FU(Te12R)  
TC7WHU04FU(Te12R)  
UPC339G2-E2



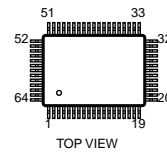
BA033FP-E2  
BA05FP-E2  
BA09FP-E2  
BA25BC0FP-E2  
NJM2125F(Te2)  
PST9245NL  
SN74AHC1G00DCKR  
TC7S66FU(Te85R)  
TC7SET02FU(Te85R)  
TC7SET32FU(Te85R)  
TC7SH04FU  
TC7SH04FU-TE85R  
TC7SH08FU-TE85R  
TC7SH14FU-TE85R  
TC7SU04FU(Te85R)  
TC7SZ125FU(Te85R)  
TC7SZ32FU(Te85R)



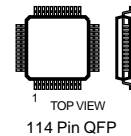
BA10324AF-E2  
BA8274F-E2  
LM339NS  
SN74ALVC00PWR  
SN74LV125APWR  
SN74LV4066APWR  
TC74VHC08FT(EL)  
TLC2932IPW-E20  
TLC2932IPWR



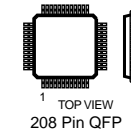
CXA2069Q-TL  
NJW1149



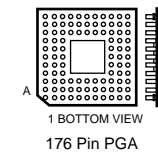
CXD9665Q



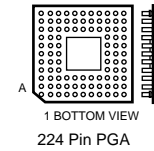
CXD9738R



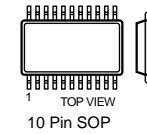
CXD9746GG



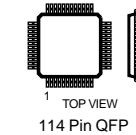
CXD9752GG



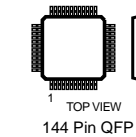
CY27027ZCT  
RV5C387A-E2



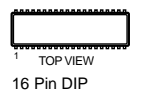
DS90C387VJDX  
SAA5665HL/M1D/0724  
TFP501PZP



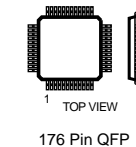
HD64F2377VFQ33V



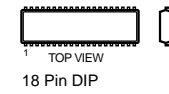
UC3854BN



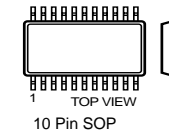
MB93491  
176Pin QFP



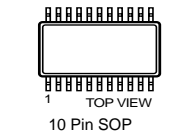
MCZ3001D  
MCZ3001DA



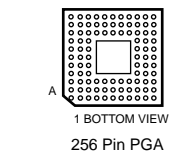
M52347FP-TE  
MK1714-01RT  
SN74AHCT245PWR  
SN74LV245APWR



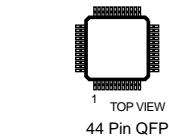
MB88141APF-ER  
TDA9178T/N1.118



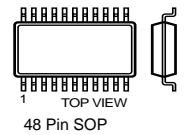
PW166B-20T



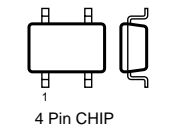
XC9572XL-10VQ44C



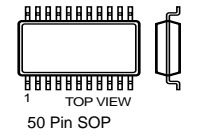
MBM29LV800TA-70PFTN-MR001



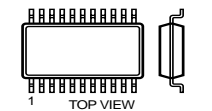
S-80828ANNP-EDR-T2  
S-80842ANNP-ED6-T2



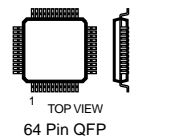
MSM56V16160F-8T4FM1



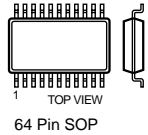
MT48LC8M16A2TG-75-Y95W



TFP510PAP

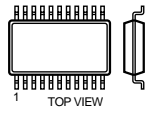


TLC2934IPWR  
TLC5733AIPM



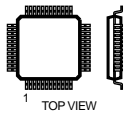
64 Pin SOP

MM1563DFBE  
MM1565AFBE



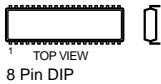
7 Pin SOP

HD64F2134AFA20V



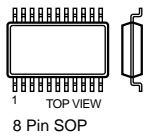
80 Pin QFP

MIP2C2  
TDA2822D013TR



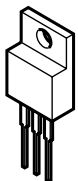
8 Pin DIP

MM1115XFBE  
8Pin SIP



8 Pin SIP

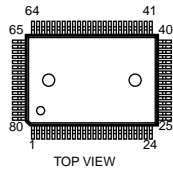
L88M05T-FA-TL  
TA78M09F(TE16L)



TL431CLP-Z

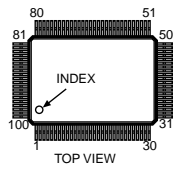


MSP3411G-QA-B10



TOP VIEW

UPD64083GF-3BA



TOP VIEW

UPC1093J-1-T

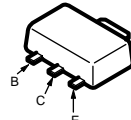


IRFIB7N50A-LF31



E  
C  
B

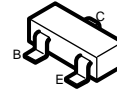
2SB1121-ST  
2SB1121-S-TD  
2SD1615A-GP  
2SD1621-S-TD  
2SD874A-R-TX  
2SK2036(TE85L)



B  
C  
E

2PB709AR-115  
2PD601AR-115  
2SA1037AK-T146-QR  
2SA1037AK-T146-R  
2SA1162-G  
2SA1226-E4  
2SA1226-T1E3E4  
2SA1576A-T106-QR  
2SA1774R  
2SA1774TL-QR  
2SC1623-L5L6  
2SC2412K-T-146-QR  
2SC2712-YG-TE85L  
2SC3624A-T1L15L16  
2SC4081-R  
2SC4081T106R  
2SC4178-F13F14-T1  
2SC4178-F14  
2SC4617R  
2SC4617TL-QR  
2SD2114KT146  
2SD601A-Q-TX  
DTA114EUA-T106

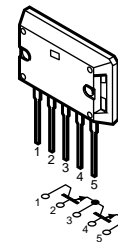
DTA114TE-TL  
DTC114EE-TL  
DTC114EKA-T146  
DTC114TE-TL  
DTC144EE-TL  
DTC144EUA-T106  
MUN2111T1  
MUN2211T1  
UN2111  
UN2211



C  
B  
E

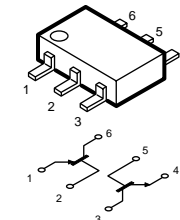
DTA143EUA-T106  
DTC114EUA-T106  
T146

2SC4213-AB-TE85L



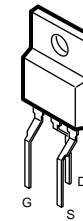
1  
2  
3  
4  
5

HN1B01FU-TE85R  
HN1C03FU-TE85R  
IRFI644G-LF36



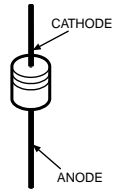
6  
5  
4  
3  
2  
1

2SK2662(LBS2SONY)



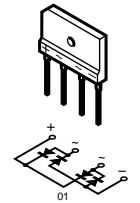
G  
S  
D

1SS119-25TD  
RD6.2FB2  
RD6.2F-T7B2



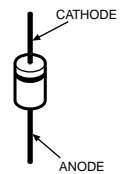
CATHODE  
ANODE

D10SBS4  
D3SB60F3



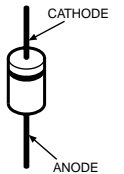
+  
-  
01

RM11A  
RM11C



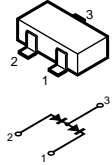
CATHODE  
ANODE

EG01CV1  
RD3.9SB2  
RD3.9SB2-T1  
RD4.7FB2  
RD4.7F-T7B2  
UF4005PKG23

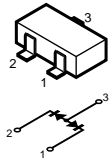


CATHODE  
ANODE

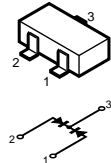
1SS226  
DAN217-T146  
MA153-TX  
MA157-TX



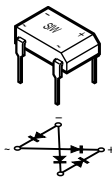
DAP202K-T146  
MA132WA-TX  
MA3075WA-(TX)  
MA3130WA-TX



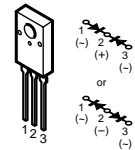
1SS184  
MA132WK-TX  
MA152WK-TX



DF06M-6031



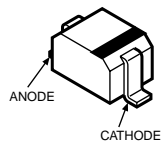
D8LC20U-4012



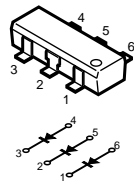
D10SC4M-F  
D8LD40-F1



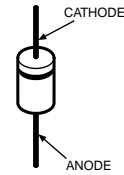
DTZ-TT11-6.8B  
HRU0103ATRF  
HZU6.8BTRF  
MA111-TX  
MA113-(TX)  
UDZSTE-1712B  
UDZSTE-1713B  
UDZSTE-1715B  
UDZSTE-173.6B  
UDZSTE-173.9B  
UDZSTE-175.1B  
UDZSTE-175.6B  
UDZSTE-176.8B  
UDZSTE-177.5B  
UDZSTE-178.2B  
UDZ-TE-17-7.5B  
UDZ-TE-17-8.2B



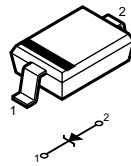
HN1D03FU-TE85R



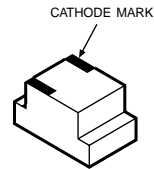
D1NL20U-TR  
D1NL20U-TR2



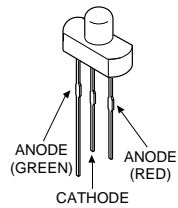
02DZ22-TPH3



SEC1901C



SPR-325MVW



## SECTION 4

### EXPLODED VIEWS

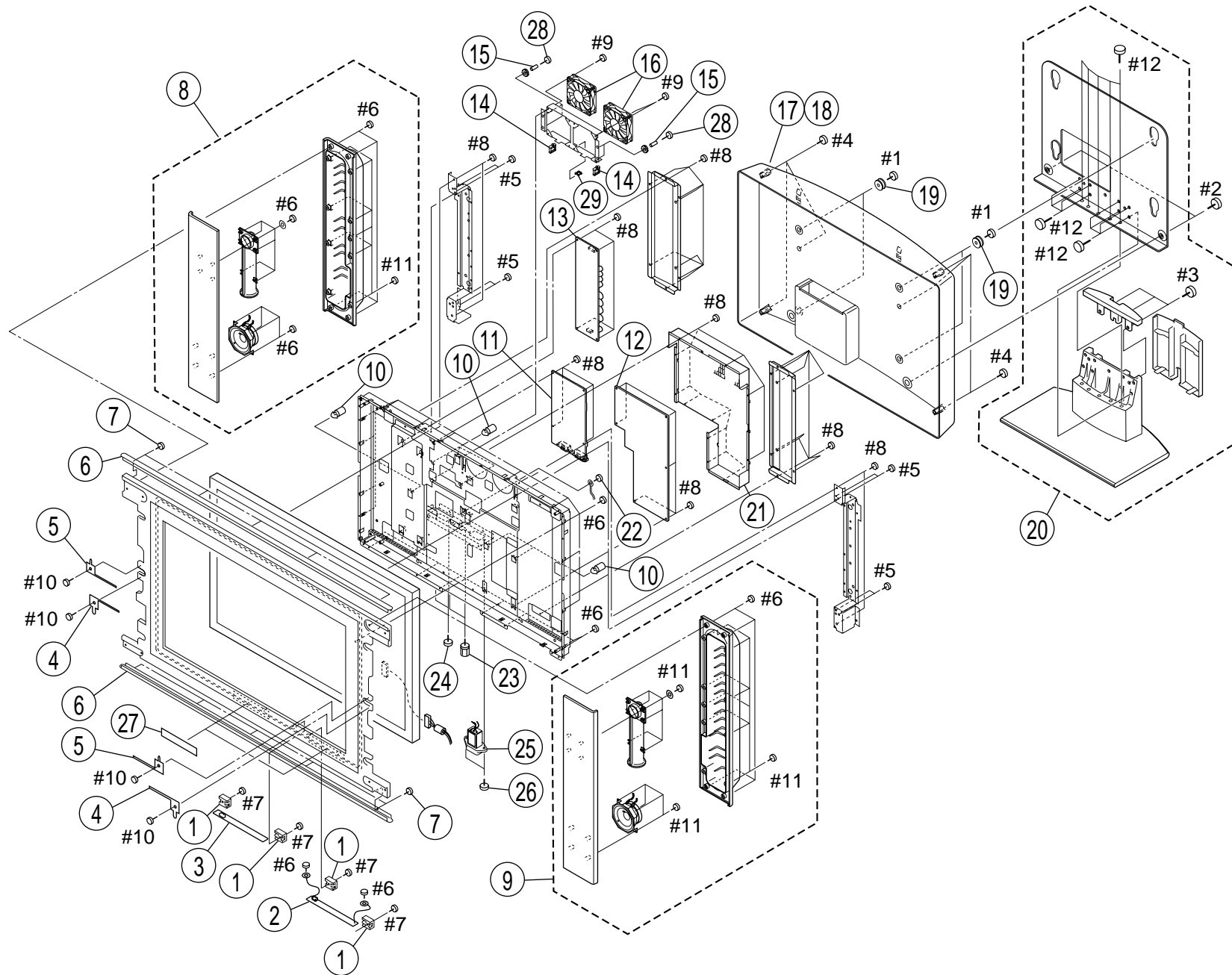
- Items with no part number and no description are not stocked because they are seldom required for routine service.
- The construction parts of an assembled part are indicated with a collation number in the remark column.
- Items marked " \* " are not stocked since they are seldom required for routine service. Some delay should be anticipated when ordering these items.

The components identified  $\triangle$  marked are critical for safety.  
Replace only with the part number specified.

Les composants identifiés par la marque  $\triangle$  sont critiques pour la sécurité.  
Ne les remplacer que par une pièce portant le numéro spécifié.



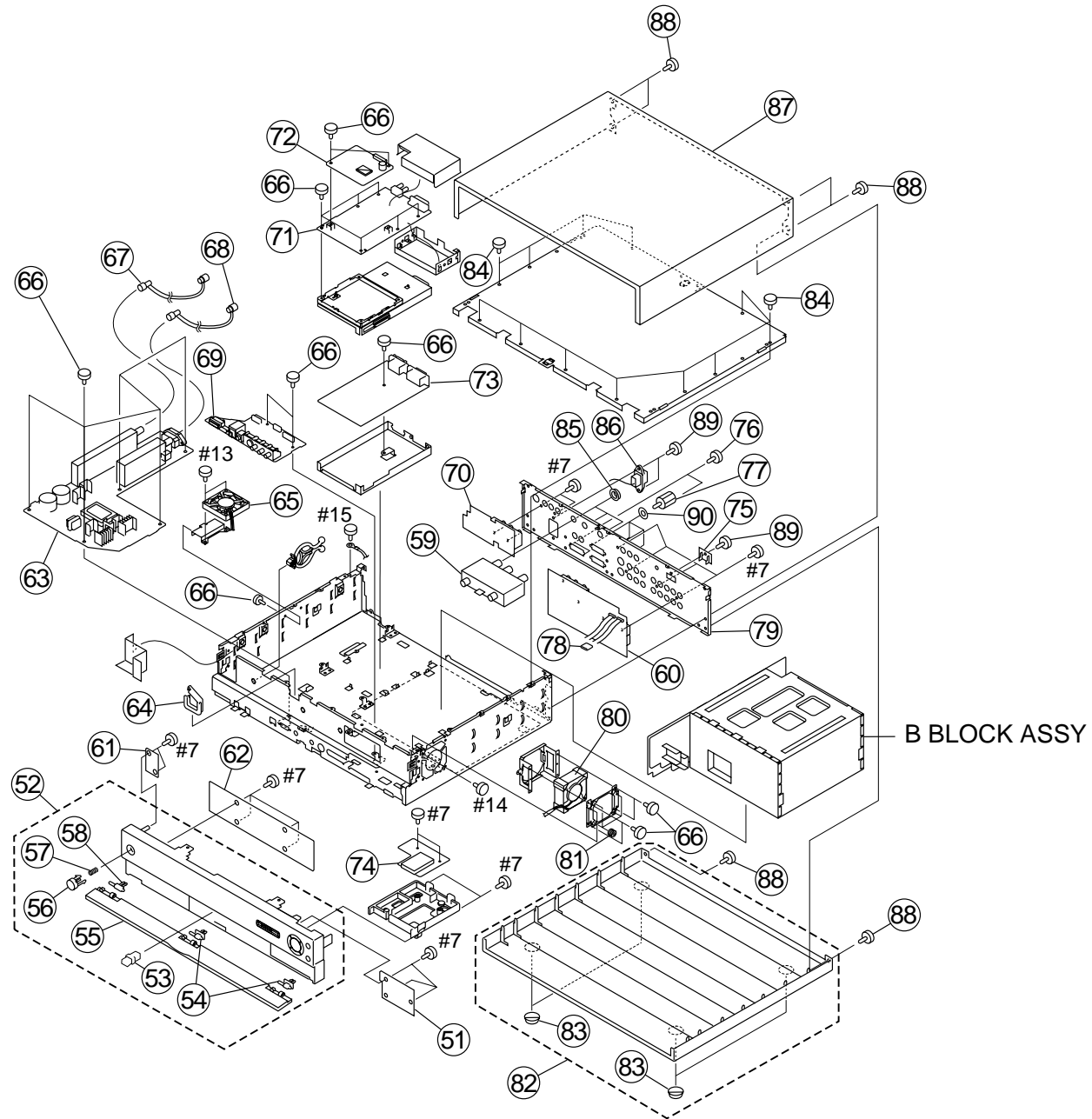
# 4-1. DISPLAY UNIT (LDM-3000)



REF.NO.	PART NO.	DESCRIPTION	REMARK
1	4-092-867-01	PWB-R BRACKET	
2	* A-1401-896-A	R1 BOARD MOUNT	
3	* A-1401-897-A	R2 BOARD MOUNT	
4	4-092-872-01	SPEAKER TERMINAL	
5	4-092-871-01	SPEAKER TERMINAL S	
6	* 4-092-874-02	FRAME	
7	4-091-675-01	SCREW, FIXED	
8	A-1604-236-A	SP (L) ASSY	
9	A-1604-237-A	SP (R) ASSY	
10	* 4-069-570-21	SPACER, PWB	
11	* A-1404-821-A	P BOARD MOUNT	
12	* A-1404-820-A	G BOARD MOUNT	
13	* A-1401-895-A	K BOARD MOUNT	
14	* 3-919-255-01	HOLDER, PC BOARD	
15	* 3-661-588-00	SPACER (3X5)	
16	1-763-963-11	FAN, DC	
17	4-092-887-01	CABINET	
18	X-4041-290-1	CABINET ASSY	
19	4-091-681-01	HOOK	
20	X-4041-253-1	STAND ASSY	
21	X-4041-339-1	EMI SHIELD CENTER ASSY	
22	4-389-025-01	SCREW (M4) (EXT TOOTH WASHER)	
23	4-635-966-01	SCREW (HEX)	
24	4-662-693-01	GRIP, M2.6 S HEAD (EG)	
25	△ 1-251-382-21	INLET, AC 3P(WITH NOISE FILTE)	
26	4-052-345-01	SCREW, (3X8) (+K), TAPPING	
27	* 4-092-730-02	SHEET, LIGHT INTERCEPTION	
28	4-093-837-01	SCREW +PW (M3X8)	
29	* 4-641-552-01	SADDLE, LOCK EDGE	

REF.NO.	PART NO.	DESCRIPTION	REMARK
#1	7-682-973-19	SCREW +PSW 5X10	
#2	7-682-973-39	SCREW +PSW 5X14	
#3	7-682-561-04	SCREW +B 4X8	
#4	7-682-561-09	SCREW +BVTP 3X10	
#5	7-682-660-09	SCREW +PS 4X6	
#6	7-685-660-79	SCREW +BVTP 4X10, TYPE 2, IT-3	
#7	7-685-648-79	SCREW +BVTP 3X12, TYPE 2, IT-3	
#8	7-685-871-01	SCREW +BVTT 3X6 (S)	
#9	7-685-886-09	SCREW +BVTT 4X20 (S)	
#10	7-685-144-11	SCREW +P 3X5 TYPE2 NON-SLIT	
#11	7-685-160-19	SCREW +P 4X10 TYPE2 NON-SLIT	
#12	7-682-261-09	SCREW +K 4X8	

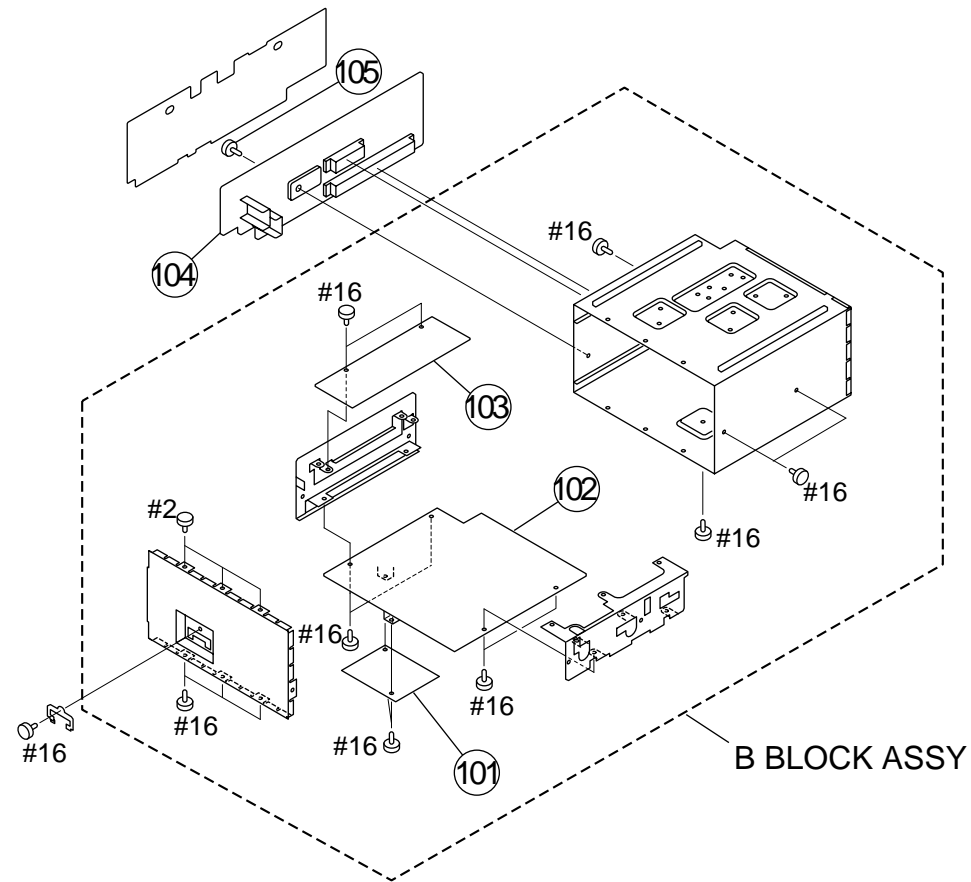
## 4-2. MEDIA RECEIVER UNIT-1 (MBT-XBR900L)



REF.NO.	PART NO.	DESCRIPTION	REMARK
51	* A-1401-937-A	H3 BOARD MOUNT	
52	X-4041-360-1	PANEL ASSY, FRONT	
53	4-042-192-21	CATCHER, PUSH	
54	3-703-035-11	SHAFT, DOOR	
55	X-4041-359-1	DOOR ASSY	
56	* 4-091-608-01	BUTTON, POWER	
57	4-042-593-01	SPRING, COMPRESSION	
58	4-045-250-51	DAMPER	
59	1-771-787-11	SWITCH, RF ANTENNA	
60	* A-1401-660-A	U1 BOARD MOUNT	
61	* A-1401-938-A	H4 BOARD MOUNT	
62	* A-1401-936-A	H1 BOARD MOUNT	
63	* A-1302-076-A	A BOARD COMPLETE	
64	2-433-598-01	HOLDER (LT-11U), WIRE	
65	1-763-659-11	FAN, DC	
66	4-382-854-01	SCREW (M3X8), P, SW (+)	
67	* 1-555-110-00	P-P CABLE	
68	* 1-557-056-31	CABLE, P-P	
69	* A-1401-935-A	H2 BOARD MOUNT	
70	* A-1401-661-A	U2 BOARD MOUNT	
71	* A-1404-887-A	AD BOARD MOUNT	
72	* A-1404-824-A	AU BOARD MOUNT	
73	* A-1302-077-A	M BOARD COMPLETE	
74	* A-1401-751-A	MS2 BOARD MOUNT	
75	4-087-363-01	COVER, CONNECTOR	
76	4-662-693-03	GRIP, M2.6 S HEAD (EG)	
77	4-635-966-01	SCREW (HEX)	
78	1-543-936-11	CORE (FPC)	
79	* 4-091-624-01	PANEL (UC), REAR	
80	1-763-962-11	FAN, D.C.	

REF.NO.	PART NO.	DESCRIPTION	REMARK
81	3-074-851-01	DAMPER (FAN 25)	
82	X-4040-972-1	COVER ASSY, BOTTOM	
83	3-078-830-01	FOOT	
84	4-670-040-01	SCREW	
85	3-682-691-00	NUT, WASHER HEXAGON	
86	△ 1-580-375-51	INLET 3P	
87	X-4041-313-1	ASSY, COVER TOP	
88	4-080-960-11	SCREW M3, SW	
89	4-080-960-01	SCREW M3, SW	
90	4-094-316-01	WASHER	
91	2-389-320-01	SHEET CUSHION	
#7	7-685-648-79	SCREW +BVTP 3X12 TYPE2 IT-3	
#13	7-682-951-01	SCREW +PSW 3X14	
#14	7-682-149-04	SCREW +P 3X10	
#15	7-682-961-01	SCREW +PSW 4X8	

### 4-3. MEDIA RECEIVER UNIT-2 (MBT-XBR900L)

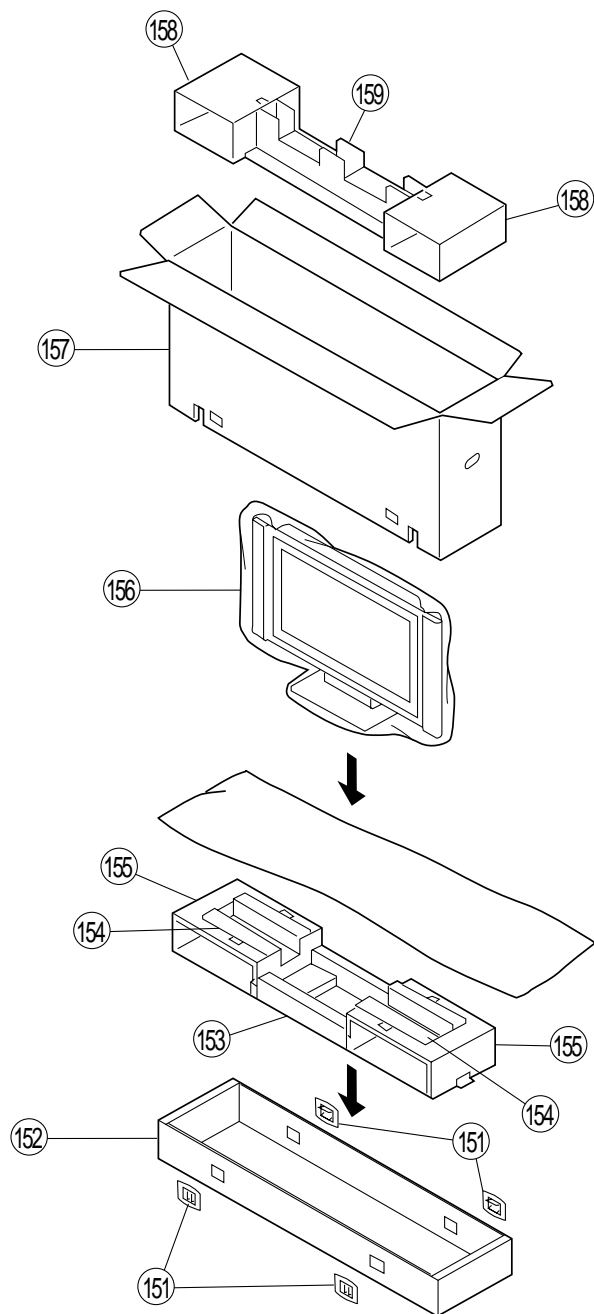


REF.NO.	PART NO.	DESCRIPTION	REMARK
---------	----------	-------------	--------

101	* A-1300-834-C	BM1C BOARD COMPLETE	
102	* A-1302-099-A	DICA BOARD COMPLETE	
103	* A-1401-663-A	DP BOARD MOUNT	
104	* A-1404-885-A	IFA BOARD MOUNT	
105	4-382-854-01	SCREW (M3X8), P, SW (+)	

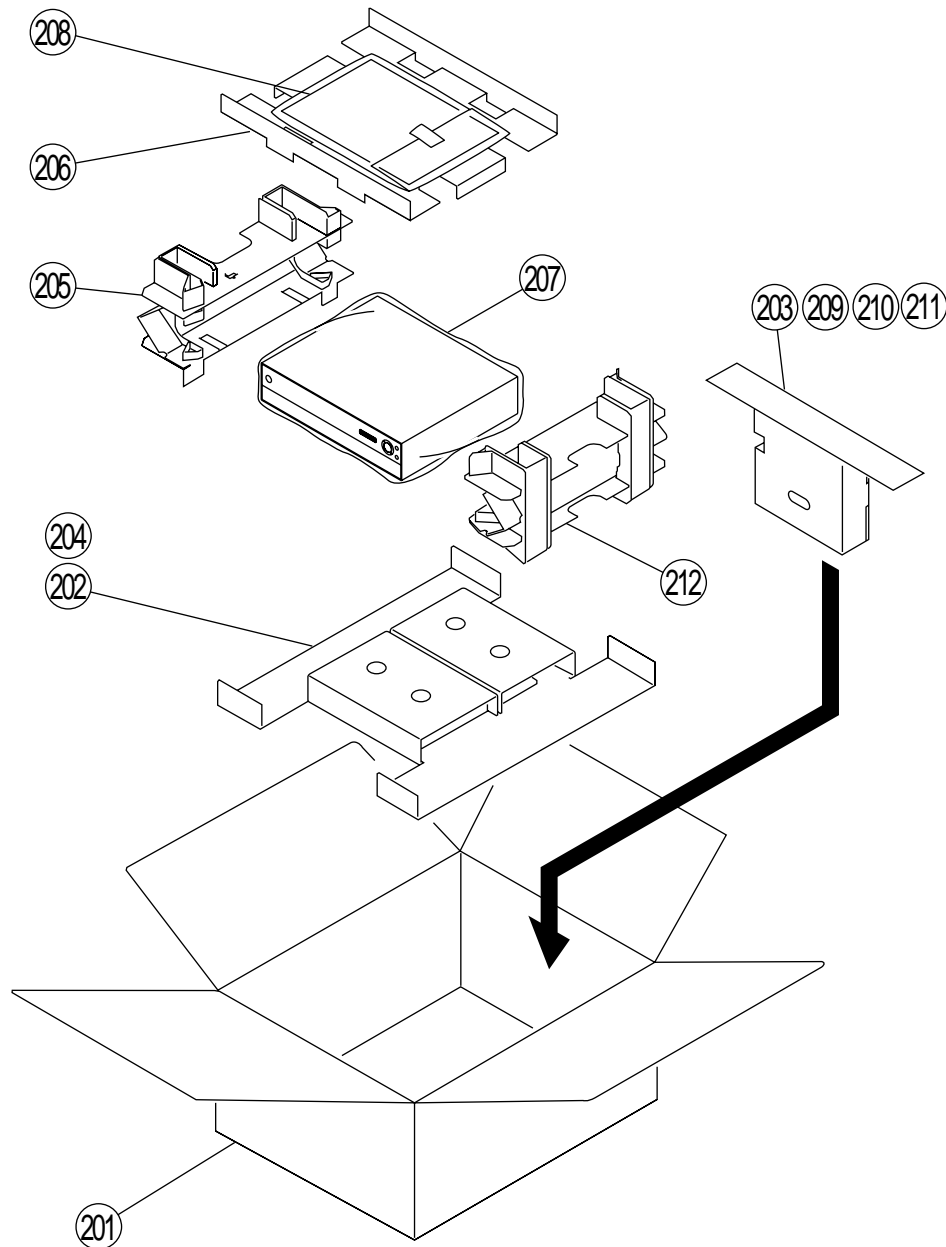
#2	7-682-973-39	SCREW +PSW 5X14	
#16	7-682-948-09	SCREW +PSW 3X8	

## 4-4. PACKING MATERIALS FOR DISPLAY UNIT (LDM-3000)



REF.NO.	PART NO.	DESCRIPTION	REMARK
151	* 4-030-895-01	JOINT	
152	* 4-093-346-01	TRAY	
153	* 4-093-351-01	CUSHION E	
154	* 4-093-350-01	CUSHION D	
155	* 4-093-349-01	CUSHION C	
156	* 4-087-494-01	BAG, PROTECTION	
157	* 4-093-916-01	INDIVIDUAL CARTON	
158	* 4-093-347-01	CUSHION A	
159	* 4-093-348-01	CUSHION B	

## 4-5. PACKING MATERIALS FOR MEDIA RECEIVER UNIT (MBT-XBR900L)



REF.NO.	PART NO.	DESCRIPTION	REMARK
201	* 4-093-917-01	INDIVIDUAL CARTON	
202	* 4-091-737-01	SPACER (B)	
203	* 1-534-827-41	CORD, POWER	
204	1-824-831-11	CORD WITH CONNECTOR	
205	* 4-091-735-01	CUSHION, LEFT	
206	* 4-091-736-01	SPACER (A)	
207	* 3-704-297-01	BAG (STANDARD), PROTECTION	
208	4-093-894-11	MANUAL, INSTRUCTION (ENGLISH)	
	4-093-894-21	MANUAL, INSTRUCTION (FRENCH)	
	4-093-894-31	MANUAL, INSTRUCTION (SPANISH)	
209	* 4-091-738-01	BOX, ACCESSORY	
210	1-477-687-11	REMOTE COMMANDER (RM-927Y)	
211	1-757-319-41	CABLE, COAXIAL (WITH (F) PLUG)	
212	* 4-091-734-01	CUSHION, RIGHT	

## SECTION 5

### ELECTRICAL PARTS LIST

#### NOTE:

The components identified  $\triangle$  marked are critical for safety.  
Replace only with the part number specified.

Les composants identifiés par la marque  $\triangle$  sont critiques pour la sécurité.  
Ne les remplacer que par une pièce portant le numéro spécifié.

When indicating parts by reference number, please include the board name.

- All variable and adjustable resistors have characteristic curve B, unless otherwise noted.
- Items marked " \* " are not stocked since they are seldom required for routine service. Some delay should be anticipated when ordering these items.

#### RESISTORS

- All resistors are in ohms
- F : nonflammable



No.	#	Board	Type	△/*	Ref.No.	Part No.	Descrption	Remarks-1	Remarks-2	Difference
1		K	CAPACITOR		C3001	1-117-681-11	ELECT CHIP 100UF 20.00% 16V			
2		K	CAPACITOR		C3002	1-125-891-11	CERAMIC CHIP 0.47UF 10.00% 10V			
3		K	CAPACITOR		C3003	1-107-826-11	CERAMIC CHIP 0.1UF 10.00% 16V			
4		K	CAPACITOR		C3004	1-107-826-11	CERAMIC CHIP 0.1UF 10.00% 16V			
5		K	CAPACITOR		C3005	1-117-681-11	ELECT CHIP 100UF 20.00% 16V			
6		K	CAPACITOR		C3006	1-107-826-11	CERAMIC CHIP 0.1UF 10.00% 16V			
7		K	CAPACITOR		C3007	1-117-681-11	ELECT CHIP 100UF 20.00% 16V			
8		K	CAPACITOR		C3008	1-162-918-11	CERAMIC CHIP 18PF 5.00% 50V			
9		K	CAPACITOR		C3009	1-162-918-11	CERAMIC CHIP 18PF 5.00% 50V			
10		K	CAPACITOR		C3010	1-165-176-11	CERAMIC CHIP 0.047UF 10.00% 16V			
11		K	CAPACITOR		C3011	1-162-968-11	CERAMIC CHIP 0.0047UF 10.00% 50V			
12		K	CAPACITOR		C3012	1-107-826-11	CERAMIC CHIP 0.1UF 10.00% 16V			
13		K	CAPACITOR		C3013	1-107-826-11	CERAMIC CHIP 0.1UF 10.00% 16V			
14		K	CAPACITOR		C3014	1-107-826-11	CERAMIC CHIP 0.1UF 10.00% 16V			
15		K	CAPACITOR		C3015	1-117-681-11	ELECT CHIP 100UF 20.00% 16V			
16		K	CAPACITOR		C3016	1-107-826-11	CERAMIC CHIP 0.1UF 10.00% 16V			
17		K	CAPACITOR		C3017	1-107-826-11	CERAMIC CHIP 0.1UF 10.00% 16V			
18		K	CAPACITOR		C3018	1-117-681-11	ELECT CHIP 100UF 20.00% 16V			
19		K	CAPACITOR		C3021	1-117-681-11	ELECT CHIP 100UF 20.00% 16V			
20		K	CAPACITOR		C3022	1-107-826-11	CERAMIC CHIP 0.1UF 10.00% 16V			
21		K	CAPACITOR		C3023	1-107-826-11	CERAMIC CHIP 0.1UF 10.00% 16V			
22		K	CAPACITOR		C3024	1-115-185-11	CERAMIC CHIP 0.033UF 10.00% 50V			
23		K	CAPACITOR		C3025	1-115-185-11	CERAMIC CHIP 0.033UF 10.00% 50V			
24		K	CAPACITOR		C3026	1-115-339-11	CERAMIC CHIP 0.1UF 10.00% 50V			
25		K	CAPACITOR		C3029	1-115-339-11	CERAMIC CHIP 0.1UF 10.00% 50V			
26		K	CAPACITOR		C3030	1-115-339-11	CERAMIC CHIP 0.1UF 10.00% 50V			
27		K	CAPACITOR		C3031	1-163-037-11	CERAMIC CHIP 0.022UF 10.00% 50V			
28		K	CAPACITOR		C3032	1-136-177-00	FILM 1UF 5.00% 50V			
29		K	CAPACITOR		C3033	1-136-177-00	FILM 1UF 5.00% 50V			
30		K	CAPACITOR		C3034	1-163-037-11	CERAMIC CHIP 0.022UF 10.00% 50V			
31		K	CAPACITOR		C3035	1-126-952-11	ELECT 1000UF 20.00% 35V			
32		K	CAPACITOR		C3036	1-126-952-11	ELECT 1000UF 20.00% 35V			
33		K	CAPACITOR		C3037	1-126-952-11	ELECT 1000UF 20.00% 35V			
34		K	CAPACITOR		C3038	1-162-963-11	CERAMIC CHIP 680PF 10.00% 50V			
35		K	CAPACITOR		C3039	1-162-963-11	CERAMIC CHIP 680PF 10.00% 50V			
36		K	CAPACITOR		C3042	1-126-200-11	ELECT CHIP 10UF 20.00% 35V			
37		K	CAPACITOR		C3043	1-163-021-91	CERAMIC CHIP 0.01UF 10.00% 50V			
38		K	CAPACITOR		C3044	1-163-021-91	CERAMIC CHIP 0.01UF 10.00% 50V			
39		K	CAPACITOR		C3045	1-125-959-11	ELECT CHIP 2200UF 20% 25V			
40		K	CAPACITOR		C3046	1-125-959-11	ELECT CHIP 2200UF 20% 25V			
41		K	CAPACITOR		C3047	1-162-963-11	CERAMIC CHIP 680PF 10.00% 50V			
42		K	CAPACITOR		C3048	1-162-963-11	CERAMIC CHIP 680PF 10.00% 50V			
43		K	CAPACITOR		C3049	1-125-959-11	ELECT CHIP 2200UF 20% 25V			

No.	#	Board	Type	△/*	Ref.No.	Part No.	Description	Remarks-1	Remarks-2	Difference
44		K	CAPACITOR		C3050	1-125-959-11	ELECT CHIP 2200UF 20% 25V			
45		K	CAPACITOR		C3051	1-115-339-11	CERAMIC CHIP 0.1UF 10.00% 50V			
46		K	CAPACITOR		C3052	1-107-826-11	CERAMIC CHIP 0.1UF 10.00% 16V			
47		K	CAPACITOR		C3054	1-163-021-91	CERAMIC CHIP 0.01UF 10.00% 50V			
48		K	CAPACITOR		C3055	1-163-021-91	CERAMIC CHIP 0.01UF 10.00% 50V			
49		K	CAPACITOR		C3056	1-136-169-00	FILM 0.22UF 5.00% 50V			
50		K	CAPACITOR		C3057	1-136-169-00	FILM 0.22UF 5.00% 50V			
51		K	CAPACITOR		C3058	1-136-165-00	FILM 0.1UF 5.00% 50V			
52		K	CAPACITOR		C3059	1-136-165-00	FILM 0.1UF 5.00% 50V			
53		K	CAPACITOR		C3061	1-107-826-11	CERAMIC CHIP 0.1UF 10.00% 16V			
54		K	CAPACITOR		C3062	1-126-952-11	ELECT 1000UF 20.00% 35V			
55		K	CAPACITOR		C3063	1-126-952-11	ELECT 1000UF 20.00% 35V			
56		K	CAPACITOR		C3064	1-126-952-11	ELECT 1000UF 20.00% 35V			
57		K	CAPACITOR		C3065	1-126-952-11	ELECT 1000UF 20.00% 35V			
58		K	CAPACITOR		C3066	1-126-952-11	ELECT 1000UF 20.00% 35V			
59		K	CAPACITOR		C3067	1-126-952-11	ELECT 1000UF 20.00% 35V			
60		K	CAPACITOR		C3068	1-126-952-11	ELECT 1000UF 20.00% 35V			
61		K	CAPACITOR		C3069	1-126-952-11	ELECT 1000UF 20.00% 35V			
62		K	CAPACITOR		C3070	1-126-952-11	ELECT 1000UF 20.00% 35V			
63		K	CAPACITOR		C3071	1-107-826-11	CERAMIC CHIP 0.1UF 10.00% 16V			
64		K	CAPACITOR		C3072	1-125-959-11	ELECT CHIP 2200UF 20% 25V			
65		K	CAPACITOR		C3073	1-125-959-11	ELECT CHIP 2200UF 20% 25V			
66		K	CAPACITOR		C3074	1-125-959-11	ELECT CHIP 2200UF 20% 25V			
67		K	CAPACITOR		C3075	1-125-959-11	ELECT CHIP 2200UF 20% 25V			
68		K	CAPACITOR		C3076	1-162-966-11	CERAMIC CHIP 0.0022UF 10.00% 50V			
69		K	CAPACITOR		C3077	1-107-826-11	CERAMIC CHIP 0.1UF 10.00% 16V			
70		K	CAPACITOR		C3078	1-126-963-11	ELECT 4.7UF 20.00% 50V			
71		K	CAPACITOR		C3079	1-107-717-11	ELECT 47UF 20.00% 50V			
72		K	CAPACITOR		C3081	1-126-968-11	ELECT 100UF 20.00% 50V			
73		K	CAPACITOR		C3082	1-164-230-11	CERAMIC CHIP 220PF 5.00% 50V			
74		K	CAPACITOR		C3083	1-100-158-91	CERAMIC CHIP 1000PF 5% 100V			
75		K	CAPACITOR		C3084	1-115-339-11	CERAMIC CHIP 0.1UF 10.00% 50V			
76		K	CAPACITOR		C3085	1-115-339-11	CERAMIC CHIP 0.1UF 10.00% 50V			
77		K	CAPACITOR		C3086	1-100-158-91	CERAMIC CHIP 1000PF 5% 100V			
78		K	CAPACITOR		C3201	1-107-826-11	CERAMIC CHIP 0.1UF 10.00% 16V			
79		K	CAPACITOR		C3202	1-126-391-11	ELECT CHIP 47UF 20.00% 6.3V			
80		K	CONNECTOR	*	CN3001	1-779-268-21	PIN, CONNECTOR (1.5MM)(SMD)11P			
81		K	CONNECTOR	*	CN3002	1-691-959-11	PIN, CONNECTOR (PC BOARD) 4P			
82		K	CONNECTOR	*	CN3003	1-564-508-11	PLUG, CONNECTOR 5P			
83		K	CONNECTOR		CN3201	1-573-290-91	PIN, CONNECTOR 4P			
84		K	DIODE		D3002	8-719-404-50	DIODE MA111-TX			
85		K	DIODE		D3003	8-719-017-35	DIODE 02DZ22-TPH3			
86		K	DIODE		D3004	8-719-041-97	DIODE MA113-(TX)			

No.	#	Board	Type	△/*	Ref.No.	Part No.	Descrption	Remarks-1	Remarks-2	Difference
87		K	DIODE		D3005	8-719-041-97	DIODE MA113-(TX)			
88		K	DIODE		D3006	8-719-041-97	DIODE MA113-(TX)			
89		K	FUSE	△	F3001	1-576-458-21	FUSE 6.3A 63V			
90		K	FUSE	△	F3002	1-576-458-21	FUSE 6.3A 63V			
91		K	FUSE	△	F3003	1-576-458-21	FUSE 6.3A 63V			
92		K	FERRITE		FB3001	1-414-229-11	FERRITE 0UH			
93		K	FERRITE		FB3002	1-414-229-11	FERRITE 0UH			
94		K	FERRITE		FB3003	1-414-229-11	FERRITE 0UH			
95		K	FERRITE		FB3004	1-414-229-11	FERRITE 0UH			
96		K	FERRITE		FB3005	1-414-229-11	FERRITE 0UH			
97		K	FERRITE		FB3006	1-414-229-11	FERRITE 0UH			
98		K	FERRITE		FB3008	1-414-864-11	FERRITE 0UH			
99		K	FERRITE		FB3009	1-469-979-21	FERRITE 0UH			
100		K	FERRITE		FB3010	1-469-979-21	FERRITE 0UH			
101		K	FERRITE		FB3011	1-469-979-21	FERRITE 0UH			
102		K	FERRITE		FB3012	1-469-979-21	FERRITE 0UH			
103		K	FERRITE		FB3013	1-469-979-21	FERRITE 0UH			
104		K	FERRITE		FB3014	1-469-979-21	FERRITE 0UH			
105		K	IC		IC3001	6-702-979-01	IC AK4114VQ-L			
106		K	IC		IC3002	6-702-986-01	IC TAS5001PFBR			
107		K	IC		IC3003	6-702-980-01	IC TAS5101DAPR			
108		K	IC		IC3004	8-759-548-99	IC SN74LV08APWR			
109		K	IC		IC3201	8-759-476-80	IC LM75CIMX-3			
110		K	COIL		L3001	1-412-537-31	INDUCTOR 100UH			
111		K	COIL		L3002	1-469-555-21	INDUCTOR 10UH			
112		K	COIL		L3003	1-469-555-21	INDUCTOR 10UH			
113		K	COIL		L3004	1-456-177-11	INDUCTOR 22UH			
114		K	COIL		L3005	1-456-177-11	INDUCTOR 22UH			
115		K	COIL		L3006	1-406-659-11	INDUCTOR 10UH			
116		K	TRANSISTOR		Q3001	8-729-928-90	TRANSISTOR DTC114EE			
117		K	TRANSISTOR		Q3002	8-729-106-68	TRANSISTOR 2SD1615A-GP			
118		K	TRANSISTOR		Q3003	8-729-230-49	TRANSISTOR 2SC2712-YG			
119		K	TRANSISTOR		Q3004	8-729-026-49	TRANSISTOR 2SA1037AK-T146-R			
120		K	TRANSISTOR		Q3005	8-729-230-49	TRANSISTOR 2SC2712-YG			
121		K	TRANSISTOR		Q3006	8-729-230-49	TRANSISTOR 2SC2712-YG			
122		K	TRANSISTOR		Q3007	8-729-106-68	TRANSISTOR 2SD1615A-GP			
123		K	RESISTOR		R3001	1-216-864-11	SHORT CHIP 0			
124		K	RESISTOR		R3002	1-216-817-11	METAL CHIP 470 5% 1/10W			
125		K	RESISTOR		R3003	1-216-829-11	METAL CHIP 4.7K 5% 1/10W			
126		K	RESISTOR		R3004	1-216-836-11	METAL CHIP 18K 5% 1/10W			
127		K	RESISTOR		R3007	1-216-833-11	METAL CHIP 10K 5% 1/10W			
128		K	RESISTOR		R3008	1-216-809-11	METAL CHIP 100 5% 1/10W			
129		K	RESISTOR		R3009	1-216-809-11	METAL CHIP 100 5% 1/10W			

No.	#	Board	Type	△/*	Ref.No.	Part No.	Descrption	Remarks-1	Remarks-2	Difference
130		K	RESISTOR		R3010	1-216-797-11	METAL CHIP 10 5% 1/10W			
131		K	RESISTOR		R3011	1-216-797-11	METAL CHIP 10 5% 1/10W			
132		K	RESISTOR		R3012	1-216-797-11	METAL CHIP 10 5% 1/10W			
133		K	RESISTOR		R3013	1-216-797-11	METAL CHIP 10 5% 1/10W			
134		K	RESISTOR		R3014	1-216-797-11	METAL CHIP 10 5% 1/10W			
135		K	RESISTOR		R3015	1-216-813-11	METAL CHIP 220 5% 1/10W			
136		K	RESISTOR		R3016	1-216-864-11	SHORT CHIP 0			
137		K	RESISTOR		R3019	1-216-994-11	METAL CHIP 13K 5% 1/10W			
138		K	RESISTOR		R3020	1-216-994-11	METAL CHIP 13K 5% 1/10W			
139		K	RESISTOR		R3022	1-219-724-11	METAL CHIP 1 1% 1/4W			
140		K	RESISTOR		R3023	1-219-724-11	METAL CHIP 1 1% 1/4W			
141		K	RESISTOR		R3026	1-214-871-81	METAL 2K 1% 1/2W			
142		K	RESISTOR		R3027	1-214-871-81	METAL 2K 1% 1/2W			
143		K	RESISTOR		R3028	1-214-871-81	METAL 2K 1% 1/2W			
144		K	RESISTOR		R3029	1-214-871-81	METAL 2K 1% 1/2W			
145		K	RESISTOR		R3030	1-215-872-11	METAL OXIDE 3.3K 5% 1W			
146		K	RESISTOR		R3031	1-216-308-00	RES-CHIP 4.7 5% 1/10W			
147		K	RESISTOR		R3032	1-216-308-00	RES-CHIP 4.7 5% 1/10W			
148		K	RESISTOR		R3033	1-216-308-00	RES-CHIP 4.7 5% 1/10W			
149		K	RESISTOR		R3034	1-216-308-00	RES-CHIP 4.7 5% 1/10W			
150		K	RESISTOR		R3035	1-214-871-81	METAL 2K 1% 1/2W			
151		K	RESISTOR		R3036	1-214-871-81	METAL 2K 1% 1/2W			
152		K	RESISTOR		R3037	1-216-864-11	SHORT CHIP 0			
153		K	RESISTOR		R3038	1-216-797-11	METAL CHIP 10 5% 1/10W			
154		K	RESISTOR		R3039	1-216-833-11	METAL CHIP 10K 5% 1/10W			
155		K	RESISTOR		R3040	1-216-833-11	METAL CHIP 10K 5% 1/10W			
156		K	RESISTOR		R3041	1-214-871-81	METAL 2K 1% 1/2W			
157		K	RESISTOR		R3042	1-214-871-81	METAL 2K 1% 1/2W			
158		K	RESISTOR		R3043	1-216-864-11	SHORT CHIP 0			
159		K	RESISTOR		R3044	1-216-864-11	SHORT CHIP 0			
160		K	RESISTOR		R3045	1-216-809-11	METAL CHIP 100 5% 1/10W			
161		K	RESISTOR		R3046	1-216-809-11	METAL CHIP 100 5% 1/10W			
162		K	RESISTOR		R3047	1-216-809-11	METAL CHIP 100 5% 1/10W			
163		K	RESISTOR		R3048	1-216-809-11	METAL CHIP 100 5% 1/10W			
164		K	RESISTOR		R3049	1-216-833-11	METAL CHIP 10K 5% 1/10W			
165		K	RESISTOR		R3050	1-216-797-11	METAL CHIP 10 5% 1/10W			
166		K	RESISTOR		R3051	1-216-864-11	SHORT CHIP 0			
167		K	RESISTOR		R3052	1-216-797-11	METAL CHIP 10 5% 1/10W			
168		K	RESISTOR		R3054	1-216-797-11	METAL CHIP 10 5% 1/10W			
169		K	RESISTOR		R3060	1-216-829-11	METAL CHIP 4.7K 5% 1/10W			
170		K	RESISTOR		R3061	1-260-304-51	CARBON 10 5% 1/2W			
171		K	RESISTOR		R3062	1-260-304-51	CARBON 10 5% 1/2W			
172		K	RESISTOR		R3063	1-216-158-00	RES-CHIP 22 5% 1/8W			

No.	#	Board	Type	△/*	Ref.No.	Part No.	Description	Remarks-1	Remarks-2	Difference
173		K	RESISTOR		R3064	1-216-158-00	RES-CHIP 22 5% 1/8W			
174		K	RESISTOR		R3070	1-216-864-11	SHORT CHIP 0			
175		K	RESISTOR		R3071	1-216-864-11	SHORT CHIP 0			
176		K	RESISTOR		R3072	1-216-833-11	METAL CHIP 10K 5% 1/10W			
177		K	RESISTOR		R3073	1-216-833-11	METAL CHIP 10K 5% 1/10W			
178		K	RESISTOR		R3074	1-216-821-11	METAL CHIP 1K 5% 1/10W			
179		K	RESISTOR		R3075	1-216-821-11	METAL CHIP 1K 5% 1/10W			
180		K	RESISTOR		R3076	1-216-841-11	METAL CHIP 47K 5% 1/10W			
181		K	RESISTOR		R3077	1-216-841-11	METAL CHIP 47K 5% 1/10W			
182		K	RESISTOR		R3078	1-216-841-11	METAL CHIP 47K 5% 1/10W			
183		K	RESISTOR		R3079	1-216-809-11	METAL CHIP 100 5% 1/10W			
184		K	RESISTOR		R3080	1-216-847-11	METAL CHIP 150K 5% 1/10W			
185		K	RESISTOR		R3081	1-216-847-11	METAL CHIP 150K 5% 1/10W			
186		K	RESISTOR		R3082	1-216-847-11	METAL CHIP 150K 5% 1/10W			
187		K	RESISTOR		R3083	1-216-847-11	METAL CHIP 150K 5% 1/10W			
188		K	RESISTOR		R3084	1-218-724-11	METAL CHIP 22K 0.5% 1/10W			
189		K	RESISTOR		R3085	1-218-724-11	METAL CHIP 22K 0.5% 1/10W			
190		K	RESISTOR		R3201	1-216-806-11	METAL CHIP 56 5% 1/10W			
191		K	RESISTOR		R3202	1-216-806-11	METAL CHIP 56 5% 1/10W			
192		K	RESISTOR		R3203	1-216-833-11	METAL CHIP 10K 5% 1/10W			
193		K	RESISTOR		R3204	1-216-864-11	SHORT CHIP 0			
194		K	CRYSTAL		X3001	1-795-420-21	VIBRATOR, CRYSTAL			
195		R1	CAPACITOR		C701	1-126-205-11	ELECT CHIP 47UF 20.00% 6.3V			
196		R1	CAPACITOR		C702	1-164-156-11	CERAMIC CHIP 0.1UF 25V			
197		R1	CONNECTOR	*	CN701	1-565-882-11	PIN, CONNECTOR (PC BOARD) 10P			
198		R1	DIODE		D701	6-500-487-01	DIODE SMLU12D16W			
199		R1	DIODE		D703	6-500-487-01	DIODE SMLU12D16W			
200		R1	DIODE		D705	6-500-425-01	DIODE SELU1E50CM			
201		R1	IC		IC701	8-759-177-23	IC RS-50-T			
202		R1	TRANSISTOR		Q701	8-729-028-73	TRANSISTOR DTA114EUA-T106			
203		R1	TRANSISTOR		Q702	8-729-028-73	TRANSISTOR DTA114EUA-T106			
204		R1	TRANSISTOR		Q703	8-729-028-73	TRANSISTOR DTA114EUA-T106			
205		R1	TRANSISTOR		Q704	8-729-028-73	TRANSISTOR DTA114EUA-T106			
206		R1	TRANSISTOR		Q705	8-729-028-73	TRANSISTOR DTA114EUA-T106			
207		R1	TRANSISTOR		Q706	8-729-028-73	TRANSISTOR DTA114EUA-T106			
208		R1	RESISTOR		R701	1-216-812-11	METAL CHIP 180 5% 1/10W			
209		R1	RESISTOR		R702	1-216-807-11	METAL CHIP 68 5% 1/10W			
210		R1	RESISTOR		R703	1-216-810-11	METAL CHIP 120 5% 1/10W			
211		R1	RESISTOR		R704	1-216-820-11	METAL CHIP 820 5% 1/10W			
212		R1	RESISTOR		R705	1-216-814-11	METAL CHIP 270 5% 1/10W			
213		R1	RESISTOR		R706	1-216-820-11	METAL CHIP 820 5% 1/10W			
214		R1	RESISTOR		R710	1-216-805-11	METAL CHIP 47 5% 1/10W			
215		R2	CONNECTOR	*	CN751	1-565-876-11	PIN, CONNECTOR (PC BOARD) 4P			

No.	#	Board	Type	△/*	Ref.No.	Part No.	Description	Remarks-1	Remarks-2	Difference
216		R2	DIODE		D751	6-500-488-01	DIODE NSPW515BS			
217		R2	DIODE		D752	6-500-488-01	DIODE NSPW515BS			
218		R2	DIODE		D753	6-500-488-01	DIODE NSPW515BS			
219		R2	DIODE		D754	6-500-488-01	DIODE NSPW515BS			
220		R2	TRANSISTOR		Q751	8-729-028-73	TRANSISTOR DTA114EUA-T106			
221		R2	TRANSISTOR		Q752	8-729-028-73	TRANSISTOR DTA114EUA-T106			
222		R2	TRANSISTOR		Q753	8-729-028-73	TRANSISTOR DTA114EUA-T106			
223		R2	TRANSISTOR		Q754	8-729-028-73	TRANSISTOR DTA114EUA-T106			
224		R2	RESISTOR		R751	1-211-985-11	METAL CHIP 47 0.5% 1/10W			
225		R2	RESISTOR		R752	1-211-985-11	METAL CHIP 47 0.5% 1/10W			
226		R2	RESISTOR		R753	1-211-985-11	METAL CHIP 47 0.5% 1/10W			
227		R2	RESISTOR		R754	1-211-985-11	METAL CHIP 47 0.5% 1/10W			
228		G	CAPACITOR		C6000	1-100-529-41	ELECT(BLOCK) 220UF 20% 250V			
229		G	CAPACITOR		C6001	1-100-529-41	ELECT(BLOCK) 220UF 20% 250V			
230		G	CAPACITOR		C6003	1-107-824-11	CERAMIC 220PF 5.00% 1KV			
231		G	CAPACITOR		C6004	1-161-964-91	CERAMIC 0.0047UF 250V			
232		G	CAPACITOR		C6005	1-161-964-91	CERAMIC 0.0047UF 250V			
233		G	CAPACITOR		C6007	1-100-529-41	ELECT(BLOCK) 220UF 20% 250V			
234		G	CAPACITOR		C6008	1-100-529-41	ELECT(BLOCK) 220UF 20% 250V			
235		G	CAPACITOR		C6010	1-161-964-91	CERAMIC 0.0047UF 250V			
236		G	CAPACITOR		C6011	1-161-964-91	CERAMIC 0.0047UF 250V			
237		G	CAPACITOR		C6012	1-100-311-91	FILM 22000PF 3% 800V			
238		G	CAPACITOR		C6014	1-162-970-11	CERAMIC CHIP 0.01UF 10.00% 25V			
239		G	CAPACITOR		C6015	1-136-479-11	FILM 0.001UF 5.00% 100V			
240		G	CAPACITOR		C6018	1-136-165-00	FILM 0.1UF 5.00% 50V			
241		G	CAPACITOR		C6019	1-126-964-11	ELECT 10UF 20.00% 50V			
242		G	CAPACITOR		C6021	1-126-963-11	ELECT 4.7UF 20.00% 50V			
243		G	CAPACITOR		C6022	1-107-824-11	CERAMIC 220PF 5.00% 1KV			
244		G	CAPACITOR		C6024	1-126-967-11	ELECT 47UF 20.00% 50V			
245		G	CAPACITOR		C6026	1-100-311-91	FILM 22000PF 3% 800V			
246		G	CAPACITOR		C6028	1-126-947-11	ELECT 47UF 20.00% 35V			
247		G	CAPACITOR		C6029	1-162-964-11	CERAMIC CHIP 0.001UF 10.00% 50V			
248		G	CAPACITOR		C6030	1-126-949-11	ELECT 220UF 20.00% 35V			
249		G	CAPACITOR		C6032	1-119-892-51	CERAMIC 470PF 10.00% 250V			
250		G	CAPACITOR		C6034	1-104-706-11	MYLAR 0.22UF 20.00% 250V			
251		G	CAPACITOR		C6035	1-161-964-91	CERAMIC 0.0047UF 250V			
252		G	CAPACITOR		C6036	1-161-964-91	CERAMIC 0.0047UF 250V			
253		G	CAPACITOR		C6037	1-161-964-91	CERAMIC 0.0047UF 250V			
254		G	CAPACITOR		C6038	1-107-662-11	ELECT 22UF 20.00% 350V			
255		G	CAPACITOR		C6039	1-136-203-11	MYLAR 0.01UF 5.00% 630V			
256		G	CAPACITOR		C6040	1-161-964-91	CERAMIC 0.0047UF 250V			
257		G	CAPACITOR		C6041	1-126-963-11	ELECT 4.7UF 20.00% 50V			
258		G	CAPACITOR		C6043	1-162-960-11	CERAMIC CHIP 220PF 10.00% 50V			

No.	#	Board	Type	△/*	Ref.No.	Part No.	Descrption	Remarks-1	Remarks-2	Difference
259		G	CAPACITOR		C6302	1-165-745-31	ELECT 1200UF 20% 35V			
260		G	CAPACITOR		C6303	1-165-745-31	ELECT 1200UF 20% 35V			
261		G	CAPACITOR		C6311	1-162-970-11	CERAMIC CHIP 0.01UF 10.00% 25V			
262		G	CAPACITOR		C6312	1-107-826-11	CERAMIC CHIP 0.1UF 10.00% 16V			
263		G	CAPACITOR		C6313	1-164-645-11	CERAMIC 1000PF 10.00% 500V			
264		G	CAPACITOR		C6314	1-126-927-11	ELECT 2200UF 20.00% 10V			
265		G	CAPACITOR		C6317	1-162-970-11	CERAMIC CHIP 0.01UF 10.00% 25V			
266		G	CAPACITOR		C6318	1-107-826-11	CERAMIC CHIP 0.1UF 10.00% 16V			
267		G	CAPACITOR		C6319	1-104-665-11	ELECT 100UF 20.00% 25V			
268		G	CAPACITOR		C6320	1-126-963-11	ELECT 4.7UF 20.00% 50V			
269		G	CAPACITOR		C6321	1-126-933-11	ELECT 100UF 20.00% 16V			
270		G	CAPACITOR		C6322	1-127-715-91	CERAMIC CHIP 0.22UF 10% 16V			
271		G	CAPACITOR		C6323	1-126-963-11	ELECT 4.7UF 20.00% 50V			
272		G	CAPACITOR		C6324	1-127-715-91	CERAMIC CHIP 0.22UF 10% 16V			
273		G	CAPACITOR		C6326	1-127-715-91	CERAMIC CHIP 0.22UF 10% 16V			
274		G	CAPACITOR		C6327	1-165-743-31	ELECT 680UF 20% 35V			
275		G	CAPACITOR		C6328	1-165-743-31	ELECT 680UF 20% 35V			
276		G	CONNECTOR	*	CN6000	1-691-961-11	PIN, CONNECTOR (PC BOARD) 2P			
277		G	CONNECTOR	*	CN6300	1-564-515-11	PLUG, CONNECTOR 12P			
278		G	CONNECTOR	*	CN6301	1-564-515-11	PLUG, CONNECTOR 12P			
279		G	CONNECTOR	*	CN6302	1-564-507-11	PLUG, CONNECTOR 4P			
280		G	CONNECTOR	*	CN6303	1-764-333-11	PLUG, CONNECTOR 10P			
281		G	DIODE		D6000	8-719-068-00	DIODE ERC04-06SE			
282		G	DIODE		D6001	8-719-510-53	DIODE D4SB60L			
283		G	DIODE		D6002	8-719-068-00	DIODE ERC04-06SE			
284		G	DIODE		D6004	8-719-948-45	DIODE ERA22-08			
285		G	DIODE		D6008	8-719-063-74	DIODE D1NL20U-TR2			
286		G	DIODE		D6009	8-719-077-76	DIODE D2SB60A-F04			
287		G	DIODE		D6010	8-719-979-64	DIODE UF4005PKG23			
288		G	DIODE		D6011	8-719-948-45	DIODE ERA22-08			
289		G	DIODE		D6012	8-719-063-74	DIODE D1NL20U-TR2			
290		G	DIODE		D6014	8-719-510-02	DIODE D1NS4			
291		G	DIODE		D6016	8-719-081-97	DIODE MMDL914T1			
292		G	DIODE		D6300	6-500-501-01	DIODE D10SC6M-4022			
293		G	DIODE		D6301	6-500-501-01	DIODE D10SC6M-4022			
294		G	DIODE		D6302	8-719-081-97	DIODE MMDL914T1			
295		G	DIODE		D6304	8-719-081-97	DIODE MMDL914T1			
296		G	DIODE		D6305	8-719-081-97	DIODE MMDL914T1			
297		G	DIODE		D6306	8-719-028-45	DIODE D2L20U			
298		G	DIODE		D6307	8-719-081-97	DIODE MMDL914T1			
299		G	DIODE		D6308	8-719-081-97	DIODE MMDL914T1			
300		G	DIODE		D6310	8-719-081-97	DIODE MMDL914T1			
301		G	DIODE		D6311	8-719-081-97	DIODE MMDL914T1			

No.	#	Board	Type	△/*	Ref.No.	Part No.	Description	Remarks-1	Remarks-2	Difference
302		G	DIODE		D6312	8-719-047-21	DIODE DE5S4M-4061			
303		G	FUSE	△	F6000	1-533-420-11	FUSE 5A 125V			
304		G	FERRITE		FB6000	1-410-397-21	FERRITE 1.1UH			
305		G	FERRITE		FB6001	1-410-397-21	FERRITE 1.1UH			
306		G	FERRITE		FB6003	1-410-397-21	FERRITE 1.1UH			
307		G	FERRITE		FB6005	1-410-397-21	FERRITE 1.1UH			
308		G	FERRITE		FB6300	1-537-864-11	PIN, POST			
309		G	FUSE HOLDER		FH6000	1-533-223-11	FUSE HOLDER 0A 0V			
310		G	FUSE HOLDER		FH6001	1-533-223-11	FUSE HOLDER 0A 0V			
311		G	IC		IC6000	8-759-670-30	IC MCZ3001D			
312		G	IC		IC6001	6-600-102-01	IC STR-A6459			
313		G	IC		IC6300	8-759-540-60	IC TL431BCLPRA			
314		G	IC		IC6301	8-759-540-60	IC TL431BCLPRA			
315		G	JUMPER READ		JW6016	1-537-864-11	PIN, POST			
316		G	JUMPER READ		JW6017	1-537-864-11	PIN, POST			
317		G	COIL		L6000	1-456-284-11	INDUCTOR 3.6MH			
318		G	COIL		L6001	1-456-284-11	INDUCTOR 3.6MH			
319		G	COIL		L6300	1-406-659-11	INDUCTOR 10UH			
320		G	COIL		L6301	1-406-659-11	INDUCTOR 10UH			
321		G	COIL		L6302	1-412-525-31	INDUCTOR 10UH			
322		G	COIL		L6303	1-412-525-31	INDUCTOR 10UH			
323		G	PHOTO COUPLER		PH6000	8-749-016-81	PHOTO COUPLER PC123Y22			
324		G	PHOTO COUPLER		PH6001	8-749-016-81	PHOTO COUPLER PC123Y22			
325		G	PHOTO COUPLER		PH6300	8-749-016-81	PHOTO COUPLER PC123Y22			
326		G	TRANSISTOR		Q6000	6-550-526-01	TRANSISTOR 2SK2842-LB180			
327		G	TRANSISTOR		Q6001	6-550-526-01	TRANSISTOR 2SK2842-LB180			
328		G	TRANSISTOR		Q6300	8-729-120-28	TRANSISTOR 2SC1623-L5L6			
329		G	TRANSISTOR		Q6301	8-729-120-28	TRANSISTOR 2SC1623-L5L6			
330		G	TRANSISTOR		Q6302	8-729-026-49	TRANSISTOR 2SA1037AK-T146-R			
331		G	TRANSISTOR		Q6303	6-550-380-01	TRANSISTOR IRFR5305TR			
332		G	TRANSISTOR		Q6304	8-729-120-28	TRANSISTOR 2SC1623-L5L6			
333		G	TRANSISTOR		Q6305	8-729-026-49	TRANSISTOR 2SA1037AK-T146-R			
334		G	TRANSISTOR		Q6306	8-729-026-49	TRANSISTOR 2SA1037AK-T146-R			
335		G	TRANSISTOR		Q6308	8-729-026-49	TRANSISTOR 2SA1037AK-T146-R			
336		G	RESISTOR		R6001	1-202-933-61	FUSIBLE 0.1 10% 1/2W			
337		G	RESISTOR		R6002	1-260-131-11	CARBON 470K 5% 1/2W			
338		G	RESISTOR		R6003	1-245-478-21	METAL 470K 1% 1/4W			
339		G	RESISTOR		R6004	1-249-393-11	CARBON 10 5% 1/4W			
340		G	RESISTOR		R6005	1-260-131-11	CARBON 470K 5% 1/2W			
341		G	RESISTOR		R6006	1-245-479-21	METAL 510K 1% 1/4W			
342		G	RESISTOR		R6007	1-249-417-11	CARBON 1K 5% 1/4W			
343		G	RESISTOR		R6008	1-216-833-11	METAL CHIP 10K 5% 1/10W			
344		G	RESISTOR		R6009	1-219-513-11	METAL 4.7M 5% 1/2W			



No.	#	Board	Type	△/*	Ref.No.	Part No.	Descrption	Remarks-1	Remarks-2	Difference
345		G	RESISTOR		R6011	1-245-511-11	CEMENTED 3.3 5% 5W			
346		G	RESISTOR		R6013	1-218-870-11	METAL CHIP 9.1K 0.5% 1/10W			
347		G	RESISTOR		R6015	1-218-877-11	METAL CHIP 18K 0.5% 1/10W			
348		G	RESISTOR		R6017	1-247-752-11	CARBON 1K 5% 1/2W			
349		G	RESISTOR		R6018	1-249-393-11	CARBON 10 5% 1/4W			
350		G	RESISTOR		R6019	1-216-833-11	METAL CHIP 10K 5% 1/10W			
351		G	RESISTOR		R6020	1-243-660-71	METAL 0.05 5% 2W			
352		G	RESISTOR		R6021	1-249-385-11	CARBON 2.2 5% 1/4W			
353		G	RESISTOR		R6022	1-218-823-11	METAL CHIP 100 0.5% 1/10W			
354		G	RESISTOR		R6023	1-216-817-11	METAL CHIP 470 5% 1/10W			
355		G	RESISTOR		R6024	1-216-864-11	SHORT CHIP 0			
356		G	RESISTOR		R6025	1-219-512-11	METAL 2.2M 5% 1/2W			
357		G	RESISTOR		R6026	1-249-381-11	CARBON 1 5% 1/4W			
358		G	RESISTOR		R6027	1-260-127-11	CARBON 220K 5% 1/2W			
359		G	RESISTOR		R6028	1-249-405-11	CARBON 100 5% 1/4W			
360		G	RESISTOR		R6030	1-218-642-11	METAL OXIDE 100K 5% 1W			
361		G	RESISTOR		R6031	1-218-642-11	METAL OXIDE 100K 5% 1W			
362		G	RESISTOR		R6032	1-216-822-11	METAL CHIP 1.2K 5% 1/10W			
363		G	RESISTOR		R6033	1-216-354-11	METAL OXIDE 2.7 5% 1W			
364		G	RESISTOR		R6034	1-216-827-11	METAL CHIP 3.3K 5% 1/10W			
365		G	RESISTOR		R6035	1-216-864-11	SHORT CHIP 0			
366		G	RESISTOR		R6036	1-216-354-11	METAL OXIDE 2.7 5% 1W			
367		G	RESISTOR		R6037	1-211-992-11	METAL CHIP 91 0.5% 1/10W			
368		G	RESISTOR		R6040	1-216-829-11	METAL CHIP 4.7K 5% 1/10W			
369		G	RESISTOR		R6041	1-249-389-11	CARBON 4.7 5% 1/4W			
370		G	RESISTOR		R6300	1-216-825-11	METAL CHIP 2.2K 5% 1/10W			
371		G	RESISTOR		R6301	1-216-864-11	SHORT CHIP 0			
372		G	RESISTOR		R6302	1-218-869-11	METAL CHIP 8.2K 0.5% 1/10W			
373		G	RESISTOR		R6304	1-216-821-11	METAL CHIP 1K 5% 1/10W			
374		G	RESISTOR		R6305	1-216-864-11	SHORT CHIP 0			
375		G	RESISTOR		R6306	1-216-833-11	METAL CHIP 10K 5% 1/10W			
376		G	RESISTOR		R6307	1-218-847-11	METAL CHIP 1K 0.5% 1/10W			
377		G	RESISTOR		R6308	1-216-817-11	METAL CHIP 470 5% 1/10W			
378		G	RESISTOR		R6310	1-218-869-11	METAL CHIP 8.2K 0.5% 1/10W			
379		G	RESISTOR		R6311	1-216-821-11	METAL CHIP 1K 5% 1/10W			
380		G	RESISTOR		R6312	1-216-833-11	METAL CHIP 10K 5% 1/10W			
381		G	RESISTOR		R6313	1-218-864-11	METAL CHIP 5.1K 0.5% 1/10W			
382		G	RESISTOR		R6318	1-216-833-11	METAL CHIP 10K 5% 1/10W			
383		G	RESISTOR		R6319	1-216-825-11	METAL CHIP 2.2K 5% 1/10W			
384		G	RESISTOR		R6320	1-216-829-11	METAL CHIP 4.7K 5% 1/10W			
385		G	RESISTOR		R6322	1-216-829-11	METAL CHIP 4.7K 5% 1/10W			
386		G	RESISTOR		R6323	1-216-829-11	METAL CHIP 4.7K 5% 1/10W			
387		G	RESISTOR		R6324	1-216-864-11	SHORT CHIP 0			

No.	#	Board	Type	△/*	Ref.No.	Part No.	Description	Remarks-1	Remarks-2	Difference
388		G	RESISTOR		R6327	1-215-907-11	METAL OXIDE 22 5% 3W			
389		G	RESISTOR		R6328	1-216-841-11	METAL CHIP 47K 5% 1/10W			
390		G	RESISTOR		R6329	1-216-841-11	METAL CHIP 47K 5% 1/10W			
391		G	RESISTOR		R6330	1-218-840-11	METAL CHIP 510 0.5% 1/10W			
392		G	RESISTOR		R6331	1-216-837-11	METAL CHIP 22K 5% 1/10W			
393		G	RESISTOR		R6332	1-219-984-51	METAL 0.1 2% 2W			
394		G	RESISTOR		R6333	1-216-821-11	METAL CHIP 1K 5% 1/10W			
395		G	RESISTOR		R6334	1-216-833-11	METAL CHIP 10K 5% 1/10W			
396		G	RESISTOR		R6335	1-216-833-11	METAL CHIP 10K 5% 1/10W			
397		G	RESISTOR		R6336	1-219-984-51	METAL 0.1 2% 2W			
398		G	RESISTOR		R6337	1-216-821-11	METAL CHIP 1K 5% 1/10W			
399		G	JUMPER READ		R6338	1-537-864-11	PIN, POST			
400		G	RESISTOR		R6340	1-219-984-51	METAL 0.1 2% 2W			
401		G	RESISTOR		R6341	1-216-821-11	METAL CHIP 1K 5% 1/10W			
402		G	RELAY		RY6000	1-755-492-11	RELAY (AC POWER)			
403		G	RELAY		RY6001	1-755-493-11	RELAY (AC POWER)			
404		G	TRANSFORMER		T6003	1-456-293-11	COIL, LINE FILTER			
405		G	TRANSFORMER		T6300	1-439-604-11	TRANSFORMER, CONVERTER (SRT)			
406		G	TRANSFORMER		T6301	1-439-603-11	TRANSFORMER, CONVERTER (PIT)			
407		G	TRANSFORMER		T6302	1-439-603-11	TRANSFORMER, CONVERTER (PIT)			
408		G	THERMISTOR		TH6000	1-803-586-41	THERMISTOR			
409		G	THERMISTOR		TH6300	1-804-045-11	THERMISTOR			
410		G	VARISTOR		VD6000	1-801-058-51	VARISTOR ERZV14D271			
411		P	CAPACITOR		C3101	1-128-993-21	ELECT CHIP 22UF 20% 10V			
412		P	CAPACITOR		C3102	1-107-826-11	CERAMIC CHIP 0.1UF 10.00% 16V			
413		P	CAPACITOR		C3103	1-107-826-11	CERAMIC CHIP 0.1UF 10.00% 16V			
414		P	CAPACITOR		C3105	1-107-826-11	CERAMIC CHIP 0.1UF 10.00% 16V			
415		P	CAPACITOR		C3108	1-126-205-11	ELECT CHIP 47UF 20.00% 6.3V			
416		P	CAPACITOR		C3109	1-162-970-11	CERAMIC CHIP 0.01UF 10.00% 25V			
417		P	CAPACITOR		C3110	1-162-970-11	CERAMIC CHIP 0.01UF 10.00% 25V			
418		P	CAPACITOR		C3111	1-162-970-11	CERAMIC CHIP 0.01UF 10.00% 25V			
419		P	CAPACITOR		C3112	1-162-970-11	CERAMIC CHIP 0.01UF 10.00% 25V			
420		P	CAPACITOR		C3113	1-162-970-11	CERAMIC CHIP 0.01UF 10.00% 25V			
421		P	CAPACITOR		C3114	1-162-970-11	CERAMIC CHIP 0.01UF 10.00% 25V			
422		P	CAPACITOR		C3115	1-162-970-11	CERAMIC CHIP 0.01UF 10.00% 25V			
423		P	CAPACITOR		C3116	1-127-760-11	CERAMIC CHIP 4.7UF 10% 6.3V			
424		P	CAPACITOR		C3117	1-162-970-11	CERAMIC CHIP 0.01UF 10.00% 25V			
425		P	CAPACITOR		C3118	1-162-970-11	CERAMIC CHIP 0.01UF 10.00% 25V			
426		P	CAPACITOR		C3119	1-162-970-11	CERAMIC CHIP 0.01UF 10.00% 25V			
427		P	CAPACITOR		C3120	1-162-970-11	CERAMIC CHIP 0.01UF 10.00% 25V			
428		P	CAPACITOR		C3121	1-162-970-11	CERAMIC CHIP 0.01UF 10.00% 25V			
429		P	CAPACITOR		C3122	1-107-826-11	CERAMIC CHIP 0.1UF 10.00% 16V			
430		P	CAPACITOR		C3123	1-126-205-11	ELECT CHIP 47UF 20.00% 6.3V			

No.	#	Board	Type	△/*	Ref.No.	Part No.	Descrption	Remarks-1	Remarks-2	Difference
431		P	CAPACITOR		C3124	1-107-826-11	CERAMIC CHIP 0.1UF 10.00% 16V			
432		P	CAPACITOR		C3125	1-117-863-11	CERAMIC CHIP 0.47UF 10.00% 6.3V			
433		P	CAPACITOR		C3126	1-117-863-11	CERAMIC CHIP 0.47UF 10.00% 6.3V			
434		P	CAPACITOR		C3129	1-162-923-11	CERAMIC CHIP 47PF 5.00% 50V			
435		P	CAPACITOR		C3130	1-162-923-11	CERAMIC CHIP 47PF 5.00% 50V			
436		P	CAPACITOR		C3131	1-162-923-11	CERAMIC CHIP 47PF 5.00% 50V			
437		P	CAPACITOR		C3132	1-162-923-11	CERAMIC CHIP 47PF 5.00% 50V			
438		P	CAPACITOR		C3133	1-107-826-11	CERAMIC CHIP 0.1UF 10.00% 16V			
439		P	CAPACITOR		C3134	1-162-962-11	CERAMIC CHIP 470PF 10.00% 50V			
440		P	CAPACITOR		C3135	1-162-962-11	CERAMIC CHIP 470PF 10.00% 50V			
441		P	CAPACITOR		C3136	1-162-962-11	CERAMIC CHIP 470PF 10.00% 50V			
442		P	CAPACITOR		C3137	1-162-962-11	CERAMIC CHIP 470PF 10.00% 50V			
443		P	CAPACITOR		C3138	1-162-962-11	CERAMIC CHIP 470PF 10.00% 50V			
444		P	CAPACITOR		C3139	1-162-962-11	CERAMIC CHIP 470PF 10.00% 50V			
445		P	CAPACITOR		C3140	1-162-962-11	CERAMIC CHIP 470PF 10.00% 50V			
446		P	CAPACITOR		C3141	1-162-962-11	CERAMIC CHIP 470PF 10.00% 50V			
447		P	CAPACITOR		C3142	1-162-962-11	CERAMIC CHIP 470PF 10.00% 50V			
448		P	CAPACITOR		C3143	1-162-962-11	CERAMIC CHIP 470PF 10.00% 50V			
449		P	CAPACITOR		C3144	1-162-962-11	CERAMIC CHIP 470PF 10.00% 50V			
450		P	CAPACITOR		C3145	1-162-962-11	CERAMIC CHIP 470PF 10.00% 50V			
451		P	CAPACITOR		C3146	1-162-962-11	CERAMIC CHIP 470PF 10.00% 50V			
452		P	CAPACITOR		C3201	1-128-993-21	ELECT CHIP 22UF 20% 10V			
453		P	CAPACITOR		C3202	1-107-826-11	CERAMIC CHIP 0.1UF 10.00% 16V			
454		P	CAPACITOR		C3203	1-128-993-21	ELECT CHIP 22UF 20% 10V			
455		P	CAPACITOR		C3204	1-128-993-21	ELECT CHIP 22UF 20% 10V			
456		P	CAPACITOR		C3205	1-162-970-11	CERAMIC CHIP 0.01UF 10.00% 25V			
457		P	CAPACITOR		C3206	1-164-227-11	CERAMIC CHIP 0.022UF 10.00% 25V			
458		P	CAPACITOR		C3207	1-162-910-11	CERAMIC CHIP 5PF 0.25PF 50V			
459		P	CAPACITOR		C3208	1-162-915-11	CERAMIC CHIP 10PF 0.50PF 50V			
460		P	CAPACITOR		C3209	1-162-915-11	CERAMIC CHIP 10PF 0.50PF 50V			
461		P	CAPACITOR		C3210	1-162-910-11	CERAMIC CHIP 5PF 0.25PF 50V			
462		P	CAPACITOR		C3211	1-107-826-11	CERAMIC CHIP 0.1UF 10.00% 16V			
463		P	CAPACITOR		C3212	1-125-837-91	CERAMIC CHIP 1UF 10% 6.3V			
464		P	CAPACITOR		C3213	1-107-826-11	CERAMIC CHIP 0.1UF 10.00% 16V			
465		P	CAPACITOR		C3214	1-126-205-11	ELECT CHIP 47UF 20.00% 6.3V			
466		P	CAPACITOR		C3215	1-107-826-11	CERAMIC CHIP 0.1UF 10.00% 16V			
467		P	CAPACITOR		C3216	1-107-826-11	CERAMIC CHIP 0.1UF 10.00% 16V			
468		P	CAPACITOR		C3217	1-107-826-11	CERAMIC CHIP 0.1UF 10.00% 16V			
469		P	CAPACITOR		C3221	1-107-826-11	CERAMIC CHIP 0.1UF 10.00% 16V			
470		P	CAPACITOR		C3222	1-107-826-11	CERAMIC CHIP 0.1UF 10.00% 16V			
471		P	CAPACITOR		C3223	1-128-993-21	ELECT CHIP 22UF 20% 10V			
472		P	CAPACITOR		C3224	1-125-837-91	CERAMIC CHIP 1UF 10% 6.3V			
473		P	CAPACITOR		C3225	1-125-837-91	CERAMIC CHIP 1UF 10% 6.3V			

No.	#	Board	Type	△/*	Ref.No.	Part No.	Descrption	Remarks-1	Remarks-2	Difference
474		P	CAPACITOR		C3226	1-162-970-11	CERAMIC CHIP 0.01UF 10.00% 25V			
475		P	CAPACITOR		C3227	1-107-826-11	CERAMIC CHIP 0.1UF 10.00% 16V			
476		P	CAPACITOR		C3228	1-107-826-11	CERAMIC CHIP 0.1UF 10.00% 16V			
477		P	CAPACITOR		C3229	1-164-315-11	CERAMIC CHIP 470PF 5.00% 50V			
478		P	CAPACITOR		C3230	1-107-823-11	CERAMIC CHIP 0.47UF 10.00% 16V			
479		P	CAPACITOR		C3231	1-126-395-11	ELECT CHIP 22UF 20.00% 16V			
480		P	CAPACITOR		C3232	1-107-826-11	CERAMIC CHIP 0.1UF 10.00% 16V			
481		P	CAPACITOR		C3234	1-164-505-11	CERAMIC CHIP 2.2UF 16V			
482		P	CAPACITOR		C3235	1-126-391-11	ELECT CHIP 47UF 20.00% 6.3V			
483		P	CAPACITOR		C3236	1-107-826-11	CERAMIC CHIP 0.1UF 10.00% 16V			
484		P	CAPACITOR		C3237	1-162-970-11	CERAMIC CHIP 0.01UF 10.00% 25V			
485		P	CAPACITOR		C3238	1-107-826-11	CERAMIC CHIP 0.1UF 10.00% 16V			
486		P	CAPACITOR		C3302	1-107-826-11	CERAMIC CHIP 0.1UF 10.00% 16V			
487		P	CAPACITOR		C3303	1-128-993-21	ELECT CHIP 22UF 20% 10V			
488		P	CAPACITOR		C3304	1-162-970-11	CERAMIC CHIP 0.01UF 10.00% 25V			
489		P	CAPACITOR		C3305	1-107-826-11	CERAMIC CHIP 0.1UF 10.00% 16V			
490		P	CAPACITOR		C3306	1-128-993-21	ELECT CHIP 22UF 20% 10V			
491		P	CAPACITOR		C3307	1-107-826-11	CERAMIC CHIP 0.1UF 10.00% 16V			
492		P	CAPACITOR		C3308	1-162-970-11	CERAMIC CHIP 0.01UF 10.00% 25V			
493		P	CAPACITOR		C3309	1-128-993-21	ELECT CHIP 22UF 20% 10V			
494		P	CAPACITOR		C3310	1-128-934-91	CERAMIC CHIP 0.33UF 20% 10V			
495		P	CAPACITOR		C3311	1-126-246-11	ELECT CHIP 220UF 20.00% 4V			
496		P	CAPACITOR		C3313	1-107-826-11	CERAMIC CHIP 0.1UF 10.00% 16V			
497		P	CAPACITOR		C3401	1-163-091-00	CERAMIC CHIP 8PF 0.25PF 50V			
498		P	CAPACITOR		C3402	1-163-222-11	CERAMIC CHIP 5PF 0.25PF 50V			
499		P	CAPACITOR		C3403	1-126-206-11	ELECT CHIP 100UF 20.00% 6.3V			
500		P	CAPACITOR		C3404	1-126-206-11	ELECT CHIP 100UF 20.00% 6.3V			
501		P	CAPACITOR		C3405	1-162-970-11	CERAMIC CHIP 0.01UF 10.00% 25V			
502		P	CAPACITOR		C3406	1-162-970-11	CERAMIC CHIP 0.01UF 10.00% 25V			
503		P	CAPACITOR		C3408	1-162-970-11	CERAMIC CHIP 0.01UF 10.00% 25V			
504		P	CAPACITOR		C3409	1-162-970-11	CERAMIC CHIP 0.01UF 10.00% 25V			
505		P	CAPACITOR		C3410	1-162-970-11	CERAMIC CHIP 0.01UF 10.00% 25V			
506		P	CAPACITOR		C3411	1-162-970-11	CERAMIC CHIP 0.01UF 10.00% 25V			
507		P	CAPACITOR		C3412	1-162-970-11	CERAMIC CHIP 0.01UF 10.00% 25V			
508		P	CAPACITOR		C3413	1-162-970-11	CERAMIC CHIP 0.01UF 10.00% 25V			
509		P	CAPACITOR		C3414	1-162-970-11	CERAMIC CHIP 0.01UF 10.00% 25V			
510		P	CAPACITOR		C3415	1-162-970-11	CERAMIC CHIP 0.01UF 10.00% 25V			
511		P	CAPACITOR		C3416	1-162-970-11	CERAMIC CHIP 0.01UF 10.00% 25V			
512		P	CAPACITOR		C3417	1-162-970-11	CERAMIC CHIP 0.01UF 10.00% 25V			
513		P	CAPACITOR		C3418	1-162-970-11	CERAMIC CHIP 0.01UF 10.00% 25V			
514		P	CAPACITOR		C3419	1-162-970-11	CERAMIC CHIP 0.01UF 10.00% 25V			
515		P	CAPACITOR		C3420	1-162-970-11	CERAMIC CHIP 0.01UF 10.00% 25V			
516		P	CAPACITOR		C3421	1-162-970-11	CERAMIC CHIP 0.01UF 10.00% 25V			

No.	#	Board	Type	△/*	Ref.No.	Part No.	Description	Remarks-1	Remarks-2	Difference
517		P	CAPACITOR		C3422	1-162-970-11	CERAMIC CHIP 0.01UF 10.00% 25V			
518		P	CAPACITOR		C3423	1-162-970-11	CERAMIC CHIP 0.01UF 10.00% 25V			
519		P	CAPACITOR		C3424	1-162-970-11	CERAMIC CHIP 0.01UF 10.00% 25V			
520		P	CAPACITOR		C3425	1-162-970-11	CERAMIC CHIP 0.01UF 10.00% 25V			
521		P	CAPACITOR		C3426	1-162-970-11	CERAMIC CHIP 0.01UF 10.00% 25V			
522		P	CAPACITOR		C3427	1-162-970-11	CERAMIC CHIP 0.01UF 10.00% 25V			
523		P	CAPACITOR		C3428	1-162-970-11	CERAMIC CHIP 0.01UF 10.00% 25V			
524		P	CAPACITOR		C3429	1-162-970-11	CERAMIC CHIP 0.01UF 10.00% 25V			
525		P	CAPACITOR		C3430	1-162-970-11	CERAMIC CHIP 0.01UF 10.00% 25V			
526		P	CAPACITOR		C3431	1-162-970-11	CERAMIC CHIP 0.01UF 10.00% 25V			
527		P	CAPACITOR		C3432	1-162-970-11	CERAMIC CHIP 0.01UF 10.00% 25V			
528		P	CAPACITOR		C3433	1-162-970-11	CERAMIC CHIP 0.01UF 10.00% 25V			
529		P	CAPACITOR		C3434	1-162-970-11	CERAMIC CHIP 0.01UF 10.00% 25V			
530		P	CAPACITOR		C3435	1-162-970-11	CERAMIC CHIP 0.01UF 10.00% 25V			
531		P	CAPACITOR		C3436	1-162-970-11	CERAMIC CHIP 0.01UF 10.00% 25V			
532		P	CAPACITOR		C3437	1-162-970-11	CERAMIC CHIP 0.01UF 10.00% 25V			
533		P	CAPACITOR		C3438	1-162-970-11	CERAMIC CHIP 0.01UF 10.00% 25V			
534		P	CAPACITOR		C3439	1-162-970-11	CERAMIC CHIP 0.01UF 10.00% 25V			
535		P	CAPACITOR		C3440	1-162-970-11	CERAMIC CHIP 0.01UF 10.00% 25V			
536		P	CAPACITOR		C3441	1-107-820-11	CERAMIC CHIP 0.1UF 16V			
537		P	CAPACITOR		C3442	1-107-820-11	CERAMIC CHIP 0.1UF 16V			
538		P	CAPACITOR		C3443	1-100-159-91	CERAMIC CHIP 22UF 10% 6.3V			
539		P	CAPACITOR		C3444	1-107-820-11	CERAMIC CHIP 0.1UF 16V			
540		P	CAPACITOR		C3445	1-107-820-11	CERAMIC CHIP 0.1UF 16V			
541		P	CAPACITOR		C3446	1-107-820-11	CERAMIC CHIP 0.1UF 16V			
542		P	CAPACITOR		C3447	1-107-826-11	CERAMIC CHIP 0.1UF 10.00% 16V			
543		P	CAPACITOR		C3448	1-162-962-11	CERAMIC CHIP 470PF 10.00% 50V			
544		P	CAPACITOR		C3449	1-162-962-11	CERAMIC CHIP 470PF 10.00% 50V			
545		P	CAPACITOR		C3450	1-162-962-11	CERAMIC CHIP 470PF 10.00% 50V			
546		P	CAPACITOR		C3451	1-162-962-11	CERAMIC CHIP 470PF 10.00% 50V			
547		P	CAPACITOR		C3452	1-162-962-11	CERAMIC CHIP 470PF 10.00% 50V			
548		P	CAPACITOR		C3453	1-162-962-11	CERAMIC CHIP 470PF 10.00% 50V			
549		P	CAPACITOR		C3454	1-162-962-11	CERAMIC CHIP 470PF 10.00% 50V			
550		P	CAPACITOR		C3455	1-162-962-11	CERAMIC CHIP 470PF 10.00% 50V			
551		P	CAPACITOR		C3456	1-162-962-11	CERAMIC CHIP 470PF 10.00% 50V			
552		P	CAPACITOR		C3457	1-162-962-11	CERAMIC CHIP 470PF 10.00% 50V			
553		P	CAPACITOR		C3458	1-162-962-11	CERAMIC CHIP 470PF 10.00% 50V			
554		P	CAPACITOR		C3459	1-162-962-11	CERAMIC CHIP 470PF 10.00% 50V			
555		P	CAPACITOR		C3460	1-162-962-11	CERAMIC CHIP 470PF 10.00% 50V			
556		P	CAPACITOR		C3461	1-162-962-11	CERAMIC CHIP 470PF 10.00% 50V			
557		P	CAPACITOR		C3462	1-162-962-11	CERAMIC CHIP 470PF 10.00% 50V			
558		P	CAPACITOR		C3463	1-162-962-11	CERAMIC CHIP 470PF 10.00% 50V			
559		P	CAPACITOR		C3464	1-162-962-11	CERAMIC CHIP 470PF 10.00% 50V			

No.	#	Board	Type	△/*	Ref.No.	Part No.	Descrption	Remarks-1	Remarks-2	Difference
560		P	CAPACITOR		C3465	1-162-962-11	CERAMIC CHIP 470PF 10.00% 50V			
561		P	CAPACITOR		C3466	1-162-962-11	CERAMIC CHIP 470PF 10.00% 50V			
562		P	CAPACITOR		C3467	1-162-962-11	CERAMIC CHIP 470PF 10.00% 50V			
563		P	CAPACITOR		C3468	1-162-962-11	CERAMIC CHIP 470PF 10.00% 50V			
564		P	CAPACITOR		C3469	1-162-962-11	CERAMIC CHIP 470PF 10.00% 50V			
565		P	CAPACITOR		C3470	1-162-962-11	CERAMIC CHIP 470PF 10.00% 50V			
566		P	CAPACITOR		C3471	1-162-962-11	CERAMIC CHIP 470PF 10.00% 50V			
567		P	CAPACITOR		C3472	1-162-962-11	CERAMIC CHIP 470PF 10.00% 50V			
568		P	CAPACITOR		C3473	1-162-962-11	CERAMIC CHIP 470PF 10.00% 50V			
569		P	CAPACITOR		C3474	1-162-962-11	CERAMIC CHIP 470PF 10.00% 50V			
570		P	CAPACITOR		C3475	1-162-962-11	CERAMIC CHIP 470PF 10.00% 50V			
571		P	CAPACITOR		C3476	1-162-962-11	CERAMIC CHIP 470PF 10.00% 50V			
572		P	CAPACITOR		C3477	1-162-962-11	CERAMIC CHIP 470PF 10.00% 50V			
573		P	CAPACITOR		C3478	1-162-962-11	CERAMIC CHIP 470PF 10.00% 50V			
574		P	CAPACITOR		C3479	1-162-962-11	CERAMIC CHIP 470PF 10.00% 50V			
575		P	CAPACITOR		C3480	1-162-962-11	CERAMIC CHIP 470PF 10.00% 50V			
576		P	CAPACITOR		C3481	1-162-962-11	CERAMIC CHIP 470PF 10.00% 50V			
577		P	CAPACITOR		C3482	1-162-962-11	CERAMIC CHIP 470PF 10.00% 50V			
578		P	CAPACITOR		C3501	1-127-820-11	CERAMIC CHIP 4.7UF 16V			
579		P	CAPACITOR		C3502	1-117-681-11	ELECT CHIP 100UF 20.00% 16V			
580		P	CAPACITOR		C3503	1-107-826-11	CERAMIC CHIP 0.1UF 10.00% 16V			
581		P	CAPACITOR		C3504	1-107-826-11	CERAMIC CHIP 0.1UF 10.00% 16V			
582		P	CAPACITOR		C3505	1-107-826-11	CERAMIC CHIP 0.1UF 10.00% 16V			
583		P	CAPACITOR		C3506	1-107-826-11	CERAMIC CHIP 0.1UF 10.00% 16V			
584		P	CAPACITOR		C3507	1-107-826-11	CERAMIC CHIP 0.1UF 10.00% 16V			
585		P	CAPACITOR		C3508	1-107-826-11	CERAMIC CHIP 0.1UF 10.00% 16V			
586		P	CAPACITOR		C3510	1-162-962-11	CERAMIC CHIP 470PF 10.00% 50V			
587		P	CAPACITOR		C3511	1-162-962-11	CERAMIC CHIP 470PF 10.00% 50V			
588		P	CAPACITOR		C3512	1-162-962-11	CERAMIC CHIP 470PF 10.00% 50V			
589		P	CAPACITOR		C3513	1-162-962-11	CERAMIC CHIP 470PF 10.00% 50V			
590		P	CAPACITOR		C8001	1-131-661-21	ELECT CHIP 100UF 20% 10V			
591		P	CAPACITOR		C8002	1-107-826-11	CERAMIC CHIP 0.1UF 10.00% 16V			
592		P	CAPACITOR		C8003	1-131-661-21	ELECT CHIP 100UF 20% 10V			
593		P	CAPACITOR		C8004	1-107-826-11	CERAMIC CHIP 0.1UF 10.00% 16V			
594		P	CAPACITOR		C8005	1-126-392-11	ELECT CHIP 100UF 20.00% 6.3V			
595		P	CAPACITOR		C8006	1-115-670-11	ELECT CHIP 220UF 20.00% 35V			
596		P	CAPACITOR		C8007	1-115-670-11	ELECT CHIP 220UF 20.00% 35V			
597		P	CAPACITOR		C8008	1-115-670-11	ELECT CHIP 220UF 20.00% 35V			
598		P	CAPACITOR		C8009	1-115-670-11	ELECT CHIP 220UF 20.00% 35V			
599		P	CAPACITOR		C8016	1-162-964-11	CERAMIC CHIP 0.001UF 10.00% 50V			
600		P	CAPACITOR		C8018	1-115-670-11	ELECT CHIP 220UF 20.00% 35V			
601		P	CAPACITOR		C8019	1-137-988-91	CERAMIC CHIP 1UF 10% 35V			
602		P	CAPACITOR		C8020	1-162-970-11	CERAMIC CHIP 0.01UF 10.00% 25V			

No.	#	Board	Type	△/*	Ref.No.	Part No.	Description	Remarks-1	Remarks-2	Difference
603		P	CAPACITOR		C8021	1-164-004-11	CERAMIC CHIP 0.1UF 10.00% 25V			
604		P	CAPACITOR		C8022	1-137-894-11	ELECT CHIP 470UF 20% 25V			
605		P	CAPACITOR		C8024	1-115-670-11	ELECT CHIP 220UF 20.00% 35V			
606		P	CAPACITOR		C8025	1-137-988-91	CERAMIC CHIP 1UF 10% 35V			
607		P	CAPACITOR		C8026	1-162-970-11	CERAMIC CHIP 0.01UF 10.00% 25V			
608		P	CAPACITOR		C8027	1-164-004-11	CERAMIC CHIP 0.1UF 10.00% 25V			
609		P	CAPACITOR		C8028	1-137-894-11	ELECT CHIP 470UF 20% 25V			
610		P	CAPACITOR		C8029	1-107-826-11	CERAMIC CHIP 0.1UF 10.00% 16V			
611		P	CAPACITOR		C8030	1-126-392-11	ELECT CHIP 100UF 20.00% 6.3V			
612		P	CAPACITOR		C8031	1-162-960-11	CERAMIC CHIP 220PF 10.00% 50V			
613		P	CAPACITOR		C8032	1-162-966-11	CERAMIC CHIP 0.0022UF 10.00% 50V			
614		P	CAPACITOR		C8033	1-100-158-91	CERAMIC CHIP 1000PF 5% 100V			
615		P	CAPACITOR		C8035	1-164-677-11	CERAMIC CHIP 0.033UF 10.00% 16V			
616		P	CAPACITOR		C8036	1-107-826-11	CERAMIC CHIP 0.1UF 10.00% 16V			
617		P	CAPACITOR		C8038	1-162-964-11	CERAMIC CHIP 0.001UF 10.00% 50V			
618		P	CONNECTOR		CN3101	1-817-120-11	CONNECTOR, DVI-D			
619		P	CONNECTOR		CN3102	1-817-112-11	HALF PITCH CONNECTOR (26PIN)			
620		P	CONNECTOR	*	CN3201	1-779-268-21	PIN, CONNECTOR (1.5MM)(SMD)11P			
621		P	CONNECTOR		CN3202	1-766-382-21	PIN, CONNECTOR (1.5MM)(SMD)10P			
622		P	CONNECTOR		CN3203	1-784-254-11	CONNECTOR 10P			
623		P	CONNECTOR		CN3204	1-573-290-21	PIN, CONNECTOR (1.5MM) (SMD)4P			
624		P	CONNECTOR		CN3206	1-785-125-21	CONNECTOR 6P			
625		P	CONNECTOR		CN3207	1-794-509-11	PIN, CONNECTOR (PC BOARD) (3P)			
626		P	CONNECTOR		CN3208	1-794-509-11	PIN, CONNECTOR (PC BOARD) (3P)			
627		P	CONNECTOR		CN3209	1-573-290-91	PIN, CONNECTOR 4P			
628		P	CONNECTOR		CN3210	1-784-371-21	CONNECTOR, FFC/FPC 12P			
629		P	CONNECTOR		CN3301	1-573-806-21	PIN, CONNECTOR (1.5MM) (SMD)6P			
630		P	CONNECTOR	*	CN3502	1-573-768-21	PIN, CONNECTOR (1.5MM) (SMD)5P			
631		P	CONNECTOR	*	CN3503	1-573-768-21	PIN, CONNECTOR (1.5MM) (SMD)5P			
632		P	CONNECTOR	*	CN3504	1-817-262-21	HEADER ASSEMBLY (FOR PWB) 19P			
633		P	CONNECTOR		CN8001	1-774-729-21	PIN, CONNECTOR (PC BOARD) 10P			
634		P	DIODE		D3101	8-719-069-55	DIODE UDZSTE-175.6B			
635		P	DIODE		D3103	8-719-069-55	DIODE UDZSTE-175.6B			
636		P	DIODE		D3104	8-719-024-77	DIODE HN1D03FU-TE85L			
637		P	DIODE		D3105	8-719-024-77	DIODE HN1D03FU-TE85L			
638		P	DIODE		D3106	8-719-024-77	DIODE HN1D03FU-TE85L			
639		P	DIODE		D3107	8-719-024-77	DIODE HN1D03FU-TE85L			
640		P	DIODE		D3108	8-719-083-58	DIODE UDZSTE-173.9B			
641		P	DIODE		D3111	8-719-024-77	DIODE HN1D03FU-TE85L			
642		P	DIODE		D3112	8-719-024-77	DIODE HN1D03FU-TE85L			
643		P	DIODE		D3113	8-719-024-77	DIODE HN1D03FU-TE85L			
644		P	DIODE		D3114	8-719-024-77	DIODE HN1D03FU-TE85L			
645		P	DIODE		D3115	8-719-069-55	DIODE UDZSTE-175.6B			

No.	#	Board	Type	△/*	Ref.No.	Part No.	Description	Remarks-1	Remarks-2	Difference
646		P	DIODE		D3116	8-719-069-55	DIODE UDZSTE-175.6B			
647		P	DIODE		D3117	8-719-069-55	DIODE UDZSTE-175.6B			
648		P	DIODE		D3118	8-719-069-55	DIODE UDZSTE-175.6B			
649		P	DIODE		D3120	8-719-069-55	DIODE UDZSTE-175.6B			
650		P	DIODE		D3201	8-719-081-19	DIODE 1SS383(T5RSONY1)			
651		P	DIODE		D3202	8-719-081-19	DIODE 1SS383(T5RSONY1)			
652		P	DIODE		D3203	8-719-404-50	DIODE MA111-TX			
653		P	DIODE		D3204	8-719-941-86	DIODE DAN202U			
654		P	DIODE		D3206	8-719-069-55	DIODE UDZSTE-175.6B			
655		P	DIODE		D3209	8-719-404-50	DIODE MA111-TX			
656		P	DIODE		D3210	8-719-404-50	DIODE MA111-TX			
657		P	DIODE		D8006	8-719-404-50	DIODE MA111-TX			
658		P	DIODE		D8008	6-500-294-01	DIODE PTZ-TE25-3.9B			
659		P	DIODE		D8009	8-719-404-50	DIODE MA111-TX			
660		P	DIODE		D8010	8-719-072-43	DIODE RB050L-40TE25			
661		P	DIODE		D8013	8-719-068-71	DIODE PTZ-TE25-13A			
662		P	DIODE		D8014	8-719-073-92	DIODE RB060L-40TE25			
663		P	FUSE	△	F8001	1-533-999-21	FUSE 2A 125V			
664		P	FERRITE		FB3101	1-414-445-11	FERRITE 0UH			
665		P	FERRITE		FB3103	1-414-445-11	FERRITE 0UH			
666		P	FERRITE		FB3104	1-414-445-11	FERRITE 0UH			
667		P	FERRITE		FB3105	1-414-445-11	FERRITE 0UH			
668		P	FERRITE		FB3106	1-414-445-11	FERRITE 0UH			
669		P	FERRITE		FB3201	1-414-445-11	FERRITE 0UH			
670		P	FERRITE		FB3202	1-414-864-11	FERRITE 0UH			
671		P	FERRITE		FB3203	1-414-864-11	FERRITE 0UH			
672		P	FERRITE		FB3204	1-414-445-11	FERRITE 0UH			
673		P	FERRITE		FB3205	1-414-864-11	FERRITE 0UH			
674		P	FERRITE		FB3206	1-414-864-11	FERRITE 0UH			
675		P	FERRITE		FB3208	1-414-445-11	FERRITE 0UH			
676		P	FERRITE		FB3209	1-414-445-11	FERRITE 0UH			
677		P	FERRITE		FB3210	1-414-445-11	FERRITE 0UH			
678		P	FERRITE		FB3213	1-500-329-21	FERRITE 0UH			
679		P	FERRITE		FB3214	1-500-329-21	FERRITE 0UH			
680		P	FERRITE		FB3215	1-500-329-21	FERRITE 0UH			
681		P	FERRITE		FB3216	1-500-329-21	FERRITE 0UH			
682		P	FERRITE		FB3217	1-500-329-21	FERRITE 0UH			
683		P	FERRITE		FB3218	1-500-329-21	FERRITE 0UH			
684		P	FERRITE		FB3219	1-500-329-21	FERRITE 0UH			
685		P	FERRITE		FB3220	1-216-295-91	SHORT CHIP 0			
686		P	FERRITE		FB3221	1-216-864-11	SHORT CHIP 0			
687		P	FERRITE		FB3222	1-216-295-91	SHORT CHIP 0			
688		P	FERRITE		FB3223	1-216-864-11	SHORT CHIP 0			



No.	#	Board	Type	△/*	Ref.No.	Part No.	Descrption	Remarks-1	Remarks-2	Difference
689		P	FERRITE		FB3225	1-414-445-11	FERRITE 0UH			
690		P	FERRITE		FB3226	1-216-864-11	SHORT CHIP 0			
691		P	FERRITE		FB3227	1-414-445-11	FERRITE 0UH			
692		P	FERRITE		FB3228	1-414-864-11	FERRITE 0UH			
693		P	FERRITE		FB3303	1-414-445-11	FERRITE 0UH			
694		P	FERRITE		FB3304	1-414-864-11	FERRITE 0UH			
695		P	FERRITE		FB3305	1-414-864-11	FERRITE 0UH			
696		P	FERRITE		FB3401	1-414-445-11	FERRITE 0UH			
697		P	FERRITE		FB3501	1-414-445-11	FERRITE 0UH			
698		P	FERRITE		FB3502	1-216-295-91	SHORT CHIP 0			
699		P	FERRITE		FB3503	1-414-864-11	FERRITE 0UH			
700		P	FERRITE		FB8001	1-469-775-21	FERRITE 0UH			
701		P	FERRITE		FB8003	1-469-775-21	FERRITE 0UH			
702		P	FERRITE		FB8005	1-414-228-11	FERRITE 0UH			
703		P	FERRITE		FB8006	1-414-228-11	FERRITE 0UH			
704		P	FERRITE		FB8008	1-216-295-91	SHORT CHIP 0			
705		P	FERRITE		FB8009	1-216-295-91	SHORT CHIP 0			
706		P	FERRITE		FB8010	1-216-295-91	SHORT CHIP 0			
707		P	FERRITE		FB8011	1-216-295-91	SHORT CHIP 0			
708		P	FERRITE		FB8012	1-216-295-91	SHORT CHIP 0			
709		P	FILTER		FL3401	1-234-177-21	FERRITE 0UH			
710		P	FILTER		FL8001	1-411-957-11	FILTER, COMMON MODE			
711		P	IC		IC3101	8-759-675-46	IC SN65LVDS1050PWR			
712		P	IC		IC3102	8-759-683-99	IC BA8274F-E2			
713		P	IC		IC3105	8-759-596-39	IC SN74LV4052APWR			
714		P	IC		IC3106	6-700-150-01	IC M24C04-WMN6T(A)			
715		P	IC		IC3107	6-703-097-01	IC TFP501PZP			
716		P	IC		IC3108	8-759-338-95	IC NJM2903V(Te2)			
717		P	IC		IC3109	8-759-596-29	IC SN74LV4066APWR			
718		P	IC		IC3201	8-759-082-58	IC TC7W08FU			
719		P	IC		IC3202	8-759-824-69	IC PST9245NL			
720		P	IC		IC3203	6-802-878-01	IC HD64F2134AFA20-LMRV1002			
721		P	IC		IC3204	6-702-688-01	IC M24C64-WMN6T(B)			
722		P	IC		IC3205	8-759-585-53	IC SN74AHCT245PWR			
723		P	IC		IC3206	8-759-549-15	IC SN74LV245APWR			
724		P	IC		IC3209	8-759-521-89	IC PQ20WZ5U			
725		P	IC		IC3210	8-759-082-60	IC TC7S66FU			
726		P	IC		IC3211	8-759-476-80	IC LM75CIMX-3			
727		P	IC		IC3212	8-759-581-11	IC NJM2125F(Te2)			
728		P	IC		IC3301	8-759-669-75	IC TLC2932IPWR			
729		P	IC		IC3302	8-759-592-49	IC TC7SZ125FU(Te85R)			
730		P	IC		IC3303	6-700-394-01	IC BA25BC0FP-E2			
731		P	IC		IC3401	6-703-689-01	IC CXD9756R			

No.	#	Board	Type	△/*	Ref.No.	Part No.	Description	Remarks-1	Remarks-2	Difference
732		P	IC		IC3402	8-759-676-70	IC MSM56V16160F-10TS-K			
733		P	IC		IC3501	6-701-098-11	IC THC63LVDM83R-T			
734		P	IC		IC8001	8-759-521-90	IC PQ05DZ5U			
735		P	IC		IC8003	6-702-472-01	IC PQ1CZ21H2ZP			
736		P	IC		IC8004	6-702-472-01	IC PQ1CZ21H2ZP			
737		P	IC		IC8005	8-759-338-95	IC NJM2903V(TE2)			
738		P	IC		IC8006	8-759-521-90	IC PQ05DZ5U			
739		P	IC		IC8007	6-703-365-01	IC PST9220NL			
740		P	COIL		L3301	1-469-561-21	INDUCTOR 100UH			
741		P	COIL		L3302	1-469-561-21	INDUCTOR 100UH			
742		P	COIL		L8002	1-456-066-21	INDUCTOR 220UH			
743		P	COIL		L8004	1-456-066-21	INDUCTOR 220UH			
744		P	TRANSISTOR		Q3101	8-729-422-33	TRANSISTOR 2SD601A-Q-TX			
745		P	TRANSISTOR		Q3102	8-729-029-14	TRANSISTOR DTC144EUA-T106			
746		P	TRANSISTOR		Q3104	6-550-014-01	TRANSISTOR SSM6N15FU(TE85R)			
747		P	TRANSISTOR		Q3108	8-729-907-00	TRANSISTOR DTC114EU			
748		P	TRANSISTOR		Q3109	8-729-028-86	TRANSISTOR DTA143EUA-T106			
749		P	TRANSISTOR		Q3110	8-729-907-00	TRANSISTOR DTC114EU			
750		P	TRANSISTOR		Q3111	8-729-907-00	TRANSISTOR DTC114EU			
751		P	TRANSISTOR		Q3112	8-729-046-75	TRANSISTOR SI2301DS-T1			
752		P	TRANSISTOR		Q3113	8-729-907-00	TRANSISTOR DTC114EU			
753		P	TRANSISTOR		Q3201	6-550-014-01	TRANSISTOR SSM6N15FU(TE85R)			
754		P	TRANSISTOR		Q3203	6-550-014-01	TRANSISTOR SSM6N15FU(TE85R)			
755		P	TRANSISTOR		Q3204	8-729-028-86	TRANSISTOR DTA143EUA-T106			
756		P	TRANSISTOR		Q3205	8-729-422-33	TRANSISTOR 2SD601A-Q-TX			
757		P	TRANSISTOR		Q3206	6-550-014-01	TRANSISTOR SSM6N15FU(TE85R)			
758		P	TRANSISTOR		Q3213	8-729-028-86	TRANSISTOR DTA143EUA-T106			
759		P	TRANSISTOR		Q3214	8-729-907-00	TRANSISTOR DTC114EU			
760		P	TRANSISTOR		Q3215	8-729-422-33	TRANSISTOR 2SD601A-Q-TX			
761		P	TRANSISTOR		Q3301	8-729-046-75	TRANSISTOR SI2301DS-T1			
762		P	TRANSISTOR		Q3302	8-729-907-00	TRANSISTOR DTC114EU			
763		P	TRANSISTOR		Q3303	8-729-907-00	TRANSISTOR DTC114EU			
764		P	TRANSISTOR		Q3501	8-729-046-75	TRANSISTOR SI2301DS-T1			
765		P	TRANSISTOR		Q3502	8-729-907-00	TRANSISTOR DTC114EU			
766		P	TRANSISTOR		Q3503	8-729-907-00	TRANSISTOR DTC114EU			
767		P	TRANSISTOR		Q8006	8-729-422-33	TRANSISTOR 2SD601A-Q-TX			
768		P	RESISTOR		R3101	1-216-833-11	METAL CHIP 10K 5% 1/10W			
769		P	RESISTOR		R3102	1-216-813-11	METAL CHIP 220 5% 1/10W			
770		P	RESISTOR		R3104	1-218-823-11	METAL CHIP 100 0.5% 1/10W			
771		P	RESISTOR		R3105	1-218-823-11	METAL CHIP 100 0.5% 1/10W			
772		P	RESISTOR		R3110	1-216-833-11	METAL CHIP 10K 5% 1/10W			
773		P	RESISTOR		R3111	1-216-857-11	METAL CHIP 1M 5% 1/10W			
774		P	RESISTOR		R3113	1-216-864-11	SHORT CHIP 0			

No.	#	Board	Type	△/*	Ref.No.	Part No.	Description	Remarks-1	Remarks-2	Difference
775		P	RESISTOR		R3115	1-216-864-11	SHORT CHIP 0			
776		P	RESISTOR		R3116	1-216-864-11	SHORT CHIP 0			
777		P	RESISTOR		R3118	1-216-809-11	METAL CHIP 100 5% 1/10W			
778		P	RESISTOR		R3120	1-216-833-11	METAL CHIP 10K 5% 1/10W			
779		P	RESISTOR		R3121	1-216-801-11	METAL CHIP 22 5% 1/10W			
780		P	RESISTOR		R3122	1-216-801-11	METAL CHIP 22 5% 1/10W			
781		P	RESISTOR		R3123	1-216-801-11	METAL CHIP 22 5% 1/10W			
782		P	RESISTOR		R3124	1-216-801-11	METAL CHIP 22 5% 1/10W			
783		P	RESISTOR		R3125	1-216-833-11	METAL CHIP 10K 5% 1/10W			
784		P	RESISTOR		R3126	1-216-857-11	METAL CHIP 1M 5% 1/10W			
785		P	RESISTOR		R3127	1-216-829-11	METAL CHIP 4.7K 5% 1/10W			
786		P	RESISTOR		R3128	1-216-829-11	METAL CHIP 4.7K 5% 1/10W			
787		P	RESISTOR		R3129	1-216-829-11	METAL CHIP 4.7K 5% 1/10W			
788		P	RESISTOR		R3130	1-216-829-11	METAL CHIP 4.7K 5% 1/10W			
789		P	RESISTOR		R3133	1-216-829-11	METAL CHIP 4.7K 5% 1/10W			
790		P	RESISTOR		R3134	1-216-829-11	METAL CHIP 4.7K 5% 1/10W			
791		P	RESISTOR		R3135	1-216-821-11	METAL CHIP 1K 5% 1/10W			
792		P	RESISTOR		R3136	1-216-857-11	METAL CHIP 1M 5% 1/10W			
793		P	RESISTOR		R3137	1-216-809-11	METAL CHIP 100 5% 1/10W			
794		P	RESISTOR		R3138	1-216-809-11	METAL CHIP 100 5% 1/10W			
795		P	RESISTOR		R3139	1-216-809-11	METAL CHIP 100 5% 1/10W			
796		P	RESISTOR		R3141	1-216-829-11	METAL CHIP 4.7K 5% 1/10W			
797		P	RESISTOR		R3142	1-216-821-11	METAL CHIP 1K 5% 1/10W			
798		P	RESISTOR		R3143	1-216-829-11	METAL CHIP 4.7K 5% 1/10W			
799		P	RESISTOR		R3144	1-216-829-11	METAL CHIP 4.7K 5% 1/10W			
800		P	RESISTOR		R3145	1-216-857-11	METAL CHIP 1M 5% 1/10W			
801		P	RESISTOR		R3146	1-216-833-11	METAL CHIP 10K 5% 1/10W			
802		P	RESISTOR		R3147	1-216-833-11	METAL CHIP 10K 5% 1/10W			
803		P	RESISTOR		R3148	1-216-809-11	METAL CHIP 100 5% 1/10W			
804		P	RESISTOR		R3149	1-216-809-11	METAL CHIP 100 5% 1/10W			
805		P	RESISTOR		R3150	1-216-809-11	METAL CHIP 100 5% 1/10W			
806		P	RESISTOR		R3151	1-216-809-11	METAL CHIP 100 5% 1/10W			
807		P	RESISTOR		R3152	1-216-809-11	METAL CHIP 100 5% 1/10W			
808		P	RESISTOR		R3154	1-216-833-11	METAL CHIP 10K 5% 1/10W			
809		P	RESISTOR		R3155	1-216-821-11	METAL CHIP 1K 5% 1/10W			
810		P	RESISTOR		R3156	1-216-864-11	SHORT CHIP 0			
811		P	RESISTOR		R3158	1-216-829-11	METAL CHIP 4.7K 5% 1/10W			
812		P	RESISTOR		R3201	1-216-829-11	METAL CHIP 4.7K 5% 1/10W			
813		P	RESISTOR		R3203	1-216-829-11	METAL CHIP 4.7K 5% 1/10W			
814		P	RESISTOR		R3204	1-216-864-11	SHORT CHIP 0			
815		P	RESISTOR		R3206	1-216-833-11	METAL CHIP 10K 5% 1/10W			
816		P	RESISTOR		R3207	1-216-864-11	SHORT CHIP 0			
817		P	RESISTOR		R3209	1-216-801-11	METAL CHIP 22 5% 1/10W			

No.	#	Board	Type	△/*	Ref.No.	Part No.	Description	Remarks-1	Remarks-2	Difference
818		P	RESISTOR		R3210	1-216-809-11	METAL CHIP 100 5% 1/10W			
819		P	RESISTOR		R3211	1-216-829-11	METAL CHIP 4.7K 5% 1/10W			
820		P	RESISTOR		R3212	1-216-864-11	SHORT CHIP 0			
821		P	RESISTOR		R3213	1-216-864-11	SHORT CHIP 0			
822		P	RESISTOR		R3214	1-216-829-11	METAL CHIP 4.7K 5% 1/10W			
823		P	RESISTOR		R3215	1-216-809-11	METAL CHIP 100 5% 1/10W			
824		P	RESISTOR		R3216	1-216-829-11	METAL CHIP 4.7K 5% 1/10W			
825		P	RESISTOR		R3217	1-216-809-11	METAL CHIP 100 5% 1/10W			
826		P	RESISTOR		R3218	1-216-833-11	METAL CHIP 10K 5% 1/10W			
827		P	RESISTOR		R3219	1-216-833-11	METAL CHIP 10K 5% 1/10W			
828		P	RESISTOR		R3221	1-216-809-11	METAL CHIP 100 5% 1/10W			
829		P	RESISTOR		R3222	1-216-825-11	METAL CHIP 2.2K 5% 1/10W			
830		P	RESISTOR		R3223	1-216-825-11	METAL CHIP 2.2K 5% 1/10W			
831		P	RESISTOR		R3224	1-216-809-11	METAL CHIP 100 5% 1/10W			
832		P	RESISTOR		R3225	1-216-833-11	METAL CHIP 10K 5% 1/10W			
833		P	RESISTOR		R3226	1-216-809-11	METAL CHIP 100 5% 1/10W			
834		P	RESISTOR		R3227	1-216-809-11	METAL CHIP 100 5% 1/10W			
835		P	RESISTOR		R3228	1-216-833-11	METAL CHIP 10K 5% 1/10W			
836		P	RESISTOR		R3229	1-216-825-11	METAL CHIP 2.2K 5% 1/10W			
837		P	RESISTOR		R3230	1-218-866-11	METAL CHIP 6.2K 0.5% 1/10W			
838		P	RESISTOR		R3231	1-218-853-11	METAL CHIP 1.8K 0.5% 1/10W			
839		P	RESISTOR		R3232	1-216-835-11	METAL CHIP 15K 5% 1/10W			
840		P	RESISTOR		R3233	1-216-829-11	METAL CHIP 4.7K 5% 1/10W			
841		P	RESISTOR		R3234	1-216-829-11	METAL CHIP 4.7K 5% 1/10W			
842		P	RESISTOR		R3235	1-216-833-11	METAL CHIP 10K 5% 1/10W			
843		P	RESISTOR		R3236	1-216-821-11	METAL CHIP 1K 5% 1/10W			
844		P	RESISTOR		R3237	1-216-833-11	METAL CHIP 10K 5% 1/10W			
845		P	RESISTOR		R3238	1-216-829-11	METAL CHIP 4.7K 5% 1/10W			
846		P	RESISTOR		R3241	1-216-833-11	METAL CHIP 10K 5% 1/10W			
847		P	RESISTOR		R3242	1-216-833-11	METAL CHIP 10K 5% 1/10W			
848		P	RESISTOR		R3243	1-216-833-11	METAL CHIP 10K 5% 1/10W			
849		P	RESISTOR		R3244	1-216-833-11	METAL CHIP 10K 5% 1/10W			
850		P	RESISTOR		R3245	1-216-829-11	METAL CHIP 4.7K 5% 1/10W			
851		P	RESISTOR		R3246	1-218-847-11	METAL CHIP 1K 0.5% 1/10W			
852		P	RESISTOR		R3247	1-218-871-11	METAL CHIP 10K 0.5% 1/10W			
853		P	RESISTOR		R3248	1-216-833-11	METAL CHIP 10K 5% 1/10W			
854		P	RESISTOR		R3249	1-216-841-11	METAL CHIP 47K 5% 1/10W			
855		P	RESISTOR		R3252	1-216-833-11	METAL CHIP 10K 5% 1/10W			
856		P	RESISTOR		R3253	1-216-833-11	METAL CHIP 10K 5% 1/10W			
857		P	RESISTOR		R3254	1-216-841-11	METAL CHIP 47K 5% 1/10W			
858		P	RESISTOR		R3255	1-216-864-11	SHORT CHIP 0			
859		P	RESISTOR		R3257	1-216-864-11	SHORT CHIP 0			
860		P	RESISTOR		R3258	1-216-845-11	METAL CHIP 100K 5% 1/10W			

No.	#	Board	Type	△/*	Ref.No.	Part No.	Description	Remarks-1	Remarks-2	Difference
861		P	RESISTOR		R3259	1-216-833-11	METAL CHIP 10K 5% 1/10W			
862		P	RESISTOR		R3260	1-216-833-11	METAL CHIP 10K 5% 1/10W			
863		P	RESISTOR		R3261	1-216-833-11	METAL CHIP 10K 5% 1/10W			
864		P	RESISTOR		R3262	1-216-833-11	METAL CHIP 10K 5% 1/10W			
865		P	RESISTOR		R3265	1-216-864-11	SHORT CHIP 0			
866		P	RESISTOR		R3266	1-216-864-11	SHORT CHIP 0			
867		P	RESISTOR		R3267	1-216-864-11	SHORT CHIP 0			
868		P	RESISTOR		R3268	1-216-864-11	SHORT CHIP 0			
869		P	RESISTOR		R3269	1-216-864-11	SHORT CHIP 0			
870		P	RESISTOR		R3270	1-216-864-11	SHORT CHIP 0			
871		P	RESISTOR		R3271	1-216-864-11	SHORT CHIP 0			
872		P	RESISTOR		R3272	1-216-864-11	SHORT CHIP 0			
873		P	RESISTOR		R3273	1-216-864-11	SHORT CHIP 0			
874		P	RESISTOR		R3274	1-216-864-11	SHORT CHIP 0			
875		P	RESISTOR		R3275	1-216-864-11	SHORT CHIP 0			
876		P	RESISTOR		R3276	1-216-829-11	METAL CHIP 4.7K 5% 1/10W			
877		P	RESISTOR		R3277	1-216-833-11	METAL CHIP 10K 5% 1/10W			
878		P	RESISTOR		R3278	1-216-833-11	METAL CHIP 10K 5% 1/10W			
879		P	RESISTOR		R3279	1-216-809-11	METAL CHIP 100 5% 1/10W			
880		P	RESISTOR		R3280	1-216-809-11	METAL CHIP 100 5% 1/10W			
881		P	RESISTOR		R3281	1-216-864-11	SHORT CHIP 0			
882		P	RESISTOR		R3284	1-216-864-11	SHORT CHIP 0			
883		P	RESISTOR		R3285	1-216-864-11	SHORT CHIP 0			
884		P	RESISTOR		R3288	1-216-833-11	METAL CHIP 10K 5% 1/10W			
885		P	RESISTOR		R3289	1-216-864-11	SHORT CHIP 0			
886		P	RESISTOR		R3301	1-218-847-11	METAL CHIP 1K 0.5% 1/10W			
887		P	RESISTOR		R3302	1-218-858-11	METAL CHIP 3K 0.5% 1/10W			
888		P	RESISTOR		R3303	1-218-885-11	METAL CHIP 39K 0.5% 1/10W			
889		P	RESISTOR		R3306	1-216-864-11	SHORT CHIP 0			
890		P	RESISTOR		R3307	1-216-864-11	SHORT CHIP 0			
891		P	RESISTOR		R3309	1-216-864-11	SHORT CHIP 0			
892		P	RESISTOR		R3316	1-216-833-11	METAL CHIP 10K 5% 1/10W			
893		P	RESISTOR		R3317	1-216-864-11	SHORT CHIP 0			
894		P	RESISTOR		R3319	1-216-833-11	METAL CHIP 10K 5% 1/10W			
895		P	RESISTOR		R3320	1-216-864-11	SHORT CHIP 0			
896		P	RESISTOR		R3321	1-216-864-11	SHORT CHIP 0			
897		P	RESISTOR		R3322	1-216-801-11	METAL CHIP 22 5% 1/10W			
898		P	RESISTOR		R3401	1-216-833-11	METAL CHIP 10K 5% 1/10W			
899		P	RESISTOR		R3402	1-216-833-11	METAL CHIP 10K 5% 1/10W			
900		P	RESISTOR		R3403	1-216-833-11	METAL CHIP 10K 5% 1/10W			
901		P	RESISTOR		R3404	1-216-864-11	SHORT CHIP 0			
902		P	RESISTOR		R3406	1-216-801-11	METAL CHIP 22 5% 1/10W			
903		P	RESISTOR		R3411	1-216-864-11	SHORT CHIP 0			

No.	#	Board	Type	△/*	Ref.No.	Part No.	Description	Remarks-1	Remarks-2	Difference
904		P	RESISTOR		R3412	1-216-864-11	SHORT CHIP 0			
905		P	RESISTOR		R3413	1-216-864-11	SHORT CHIP 0			
906		P	RESISTOR		R3415	1-216-864-11	SHORT CHIP 0			
907		P	RESISTOR		R3416	1-216-864-11	SHORT CHIP 0			
908		P	RESISTOR		R3417	1-218-829-11	METAL CHIP 180 0.5% 1/10W			
909		P	RESISTOR		R3501	1-216-833-11	METAL CHIP 10K 5% 1/10W			
910		P	RESISTOR		R3505	1-216-833-11	METAL CHIP 10K 5% 1/10W			
911		P	RESISTOR		R3506	1-216-864-11	SHORT CHIP 0			
912		P	RESISTOR		R3507	1-216-833-11	METAL CHIP 10K 5% 1/10W			
913		P	RESISTOR		R3508	1-216-864-11	SHORT CHIP 0			
914		P	RESISTOR		R3509	1-216-864-11	SHORT CHIP 0			
915		P	RESISTOR		R3510	1-216-864-11	SHORT CHIP 0			
916		P	RESISTOR		R3511	1-216-833-11	METAL CHIP 10K 5% 1/10W			
917		P	RESISTOR		R3512	1-216-833-11	METAL CHIP 10K 5% 1/10W			
918		P	RESISTOR		R3513	1-216-833-11	METAL CHIP 10K 5% 1/10W			
919		P	RESISTOR		R3514	1-216-864-11	SHORT CHIP 0			
920		P	RESISTOR		R3515	1-216-202-00	RES-CHIP 1.5K 5% 1/8W			
921		P	RESISTOR		R3516	1-216-202-00	RES-CHIP 1.5K 5% 1/8W			
922		P	RESISTOR		R3517	1-216-202-00	RES-CHIP 1.5K 5% 1/8W			
923		P	RESISTOR		R3518	1-216-202-00	RES-CHIP 1.5K 5% 1/8W			
924		P	RESISTOR		R3519	1-216-202-00	RES-CHIP 1.5K 5% 1/8W			
925		P	RESISTOR		R3520	1-216-202-00	RES-CHIP 1.5K 5% 1/8W			
926		P	RESISTOR		R3521	1-216-202-00	RES-CHIP 1.5K 5% 1/8W			
927		P	RESISTOR		R3522	1-216-202-00	RES-CHIP 1.5K 5% 1/8W			
928		P	RESISTOR		R3523	1-216-202-00	RES-CHIP 1.5K 5% 1/8W			
929		P	RESISTOR		R3524	1-216-202-00	RES-CHIP 1.5K 5% 1/8W			
930		P	RESISTOR		R3525	1-216-864-11	SHORT CHIP 0			
931		P	RESISTOR		R8002	1-216-821-11	METAL CHIP 1K 5% 1/10W			
932		P	RESISTOR		R8009	1-216-845-11	METAL CHIP 100K 5% 1/10W			
933		P	RESISTOR		R8010	1-216-296-11	SHORT CHIP 0			
934		P	RESISTOR		R8011	1-216-864-11	SHORT CHIP 0			
935		P	RESISTOR		R8012	1-216-829-11	METAL CHIP 4.7K 5% 1/10W			
936		P	RESISTOR		R8013	1-218-861-11	METAL CHIP 3.9K 0.5% 1/10W			
937		P	RESISTOR		R8014	1-216-847-11	METAL CHIP 150K 5% 1/10W			
938		P	RESISTOR		R8016	1-216-864-11	SHORT CHIP 0			
939		P	RESISTOR		R8017	1-218-856-11	METAL CHIP 2.4K 0.5% 1/10W			
940		P	RESISTOR		R8019	1-218-872-11	METAL CHIP 11K 0.5% 1/10W			
941		P	RESISTOR		R8020	1-216-829-11	METAL CHIP 4.7K 5% 1/10W			
942		P	RESISTOR		R8022	1-216-841-11	METAL CHIP 47K 5% 1/10W			
943		P	RESISTOR		R8023	1-218-850-11	METAL CHIP 1.3K 0.5% 1/10W			
944		P	RESISTOR		R8025	1-216-864-11	SHORT CHIP 0			
945		P	RESISTOR		R8026	1-218-879-11	METAL CHIP 22K 0.5% 1/10W			
946		P	RESISTOR		R8027	1-216-833-11	METAL CHIP 10K 5% 1/10W			

No.	#	Board	Type	△/*	Ref.No.	Part No.	Description	Remarks-1	Remarks-2	Difference
947		P	RESISTOR		R8028	1-218-907-11	METAL CHIP 330K 0.5% 1/10W			
948		P	RESISTOR		R8029	1-218-895-11	METAL CHIP 100K 0.5% 1/10W			
949		P	RESISTOR		R8030	1-218-854-11	METAL CHIP 2K 0.5% 1/10W			
950		P	RESISTOR		R8031	1-218-877-11	METAL CHIP 18K 0.5% 1/10W			
951		P	RESISTOR		R8032	1-218-883-11	METAL CHIP 33K 0.5% 1/10W			
952		P	RESISTOR		R8033	1-218-880-11	METAL CHIP 24K 0.5% 1/10W			
953		P	RESISTOR		R8034	1-218-883-11	METAL CHIP 33K 0.5% 1/10W			
954		P	RESISTOR		R8035	1-218-907-11	METAL CHIP 330K 0.5% 1/10W			
955		P	RESISTOR		R8036	1-216-864-11	SHORT CHIP 0			
956		P	RESISTOR		R8037	1-218-895-11	METAL CHIP 100K 0.5% 1/10W			
957		P	RESISTOR		R8038	1-218-877-11	METAL CHIP 18K 0.5% 1/10W			
958		P	RESISTOR		R8039	1-216-833-11	METAL CHIP 10K 5% 1/10W			
959		P	RESISTOR		R8041	1-216-833-11	METAL CHIP 10K 5% 1/10W			
960		P	RESISTOR		R8042	1-216-833-11	METAL CHIP 10K 5% 1/10W			
961		P	NETWORK		RB3101	1-233-785-91	RES, NETWORK 100 (1608)			
962		P	NETWORK		RB3102	1-233-785-91	RES, NETWORK 100 (1608)			
963		P	NETWORK		RB3103	1-234-370-21	RES, NETWORK 22X4 (1005)			
964		P	NETWORK		RB3104	1-234-370-21	RES, NETWORK 22X4 (1005)			
965		P	NETWORK		RB3105	1-234-370-21	RES, NETWORK 22X4 (1005)			
966		P	NETWORK		RB3106	1-234-370-21	RES, NETWORK 22X4 (1005)			
967		P	NETWORK		RB3107	1-234-370-21	RES, NETWORK 22X4 (1005)			
968		P	NETWORK		RB3108	1-234-370-21	RES, NETWORK 22X4 (1005)			
969		P	NETWORK		RB3109	1-234-370-21	RES, NETWORK 22X4 (1005)			
970		P	NETWORK		RB3201	1-233-785-91	RES, NETWORK 100 (1608)			
971		P	NETWORK		RB3202	1-233-576-11	RES, CHIP NETWORK 100			
972		P	NETWORK		RB3203	1-233-576-11	RES, CHIP NETWORK 100			
973		P	NETWORK		RB3204	1-233-576-11	RES, CHIP NETWORK 100			
974		P	NETWORK		RB3205	1-233-785-91	RES, NETWORK 100 (1608)			
975		P	NETWORK		RB3206	1-233-576-11	RES, CHIP NETWORK 100			
976		P	NETWORK		RB3207	1-233-785-91	RES, NETWORK 100 (1608)			
977		P	NETWORK		RB3208	1-233-576-11	RES, CHIP NETWORK 100			
978		P	NETWORK		RB3209	1-236-908-11	RES, CHIP NETWORK 10K (3216)			
979		P	NETWORK		RB3210	1-233-785-91	RES, NETWORK 100 (1608)			
980		P	NETWORK		RB3211	1-233-576-11	RES, CHIP NETWORK 100			
981		P	NETWORK		RB3212	1-236-908-11	RES, CHIP NETWORK 10K (3216)			
982		P	NETWORK		RB3213	1-233-576-11	RES, CHIP NETWORK 100			
983		P	NETWORK		RB3214	1-233-785-91	RES, NETWORK 100 (1608)			
984		P	NETWORK		RB3215	1-233-785-91	RES, NETWORK 100 (1608)			
985		P	NETWORK		RB3216	1-233-785-91	RES, NETWORK 100 (1608)			
986		P	NETWORK		RB3217	1-236-908-11	RES, CHIP NETWORK 10K (3216)			
987		P	NETWORK		RB3301	1-233-785-91	RES, NETWORK 100 (1608)			
988		P	NETWORK		RB3404	1-234-370-21	RES, NETWORK 22X4 (1005)			
989		P	NETWORK		RB3405	1-234-370-21	RES, NETWORK 22X4 (1005)			

No.	#	Board	Type	△/*	Ref.No.	Part No.	Description	Remarks-1	Remarks-2	Difference
990		P	NETWORK		RB3406	1-234-370-21	RES, NETWORK 22X4 (1005)			
991		P	NETWORK		RB3407	1-234-370-21	RES, NETWORK 22X4 (1005)			
992		P	NETWORK		RB3408	1-234-370-21	RES, NETWORK 22X4 (1005)			
993		P	NETWORK		RB3409	1-234-370-21	RES, NETWORK 22X4 (1005)			
994		P	NETWORK		RB3410	1-234-370-21	RES, NETWORK 22X4 (1005)			
995		P	THERMISTOR		TH3201	1-804-045-11	THERMISTOR			
996		P	TEST POINT		TP3101	1-535-757-11	CHIP, CHECKER			
997		P	TEST POINT		TP3102	1-535-757-11	CHIP, CHECKER			
998		P	TEST POINT		TP3103	1-535-757-11	CHIP, CHECKER			
999		P	TEST POINT		TP3201	1-535-757-11	CHIP, CHECKER			
1000		P	TEST POINT		TP3202	1-535-757-11	CHIP, CHECKER			
1001		P	TEST POINT		TP3203	1-535-757-11	CHIP, CHECKER			
1002		P	TEST POINT		TP3204	1-535-757-11	CHIP, CHECKER			
1003		P	TEST POINT		TP3205	1-535-757-11	CHIP, CHECKER			
1004		P	TEST POINT		TP3210	1-535-757-11	CHIP, CHECKER			
1005		P	TEST POINT		TP3501	1-694-802-21	CONTACT TERMINAL			
1006		P	CRYSTAL		X3201	1-781-514-21	VIBRATOR, CRYSTAL			
1007		P	CRYSTAL		X3401	1-795-416-21	VIBRATOR, CRYSTAL			
1008		P	CRYSTAL		X3402	1-795-850-21	OSCILLATOR, CRYSTAL			
1009		A	CAPACITOR		C6001	1-104-665-11	ELECT 100UF 20.00% 25V			
1010		A	CAPACITOR		C6002	1-165-529-11	MYLAR 0.22UF 10 275V			
1011		A	CAPACITOR		C6003	1-126-934-11	ELECT 220UF 20.00% 16V			
1012		A	CAPACITOR		C6004	1-104-665-11	ELECT 100UF 20.00% 25V			
1013		A	CAPACITOR		C6005	1-165-528-11	MYLAR 0.1UF 10 275V			
1014		A	CAPACITOR		C6006	1-161-964-91	CERAMIC 0.0047UF 250V			
1015		A	CAPACITOR		C6007	1-161-964-91	CERAMIC 0.0047UF 250V			
1016		A	CAPACITOR		C6008	1-161-964-91	CERAMIC 0.0047UF 250V			
1017		A	CAPACITOR		C6009	1-161-964-91	CERAMIC 0.0047UF 250V			
1018		A	CAPACITOR		C6010	1-137-992-11	ELECT 1000UF 20% 250V			
1019		A	CAPACITOR		C6011	1-137-992-11	ELECT 1000UF 20% 250V			
1020		A	CAPACITOR		C6012	1-163-275-11	CERAMIC CHIP 0.001UF 5.00% 50V			
1021		A	CAPACITOR		C6013	1-136-479-11	FILM 0.001UF 5.00% 100V			
1022		A	CAPACITOR		C6014	1-163-021-91	CERAMIC CHIP 0.01UF 10.00% 50V			
1023		A	CAPACITOR		C6017	1-126-967-11	ELECT 47UF 20.00% 50V			
1024		A	CAPACITOR		C6018	1-126-963-11	ELECT 4.7UF 20.00% 50V			
1025		A	CAPACITOR		C6019	1-107-906-11	ELECT 10UF 20.00% 50V			
1026		A	CAPACITOR		C6022	1-130-495-00	MYLAR 0.1UF 5.00% 50V			
1027		A	CAPACITOR		C6023	1-126-947-11	ELECT 47UF 20.00% 35V			
1028		A	CAPACITOR		C6024	1-164-004-11	CERAMIC CHIP 0.1UF 10.00% 25V			
1029		A	CAPACITOR		C6025	1-107-662-11	ELECT 22UF 20.00% 350V			
1030		A	CAPACITOR		C6026	1-101-821-00	CERAMIC 0.0022UF 500V			
1031		A	CAPACITOR		C6027	1-107-824-11	CERAMIC 220PF 5.00% 1KV			
1032		A	CAPACITOR		C6028	1-107-824-11	CERAMIC 220PF 5.00% 1KV			



No.	#	Board	Type	△/*	Ref.No.	Part No.	Descrption	Remarks-1	Remarks-2	Difference
1033		A	CAPACITOR		C6029	1-126-964-11	ELECT 10UF 20.00% 50V			
1034		A	CAPACITOR		C6030	1-164-690-91	CERAMIC CHIP 0.0022UF 5.00% 50V			
1035		A	CAPACITOR		C6031	1-100-418-11	FILM 15000PF 3% 1KV			
1036		A	CAPACITOR	*	C6032	1-165-909-21	CERAMIC CHIP 470PF 10% 630V			
1037		A	CAPACITOR		C6033	1-107-894-11	ELECT 220UF 20.00% 35V			
1038		A	CAPACITOR		C6034	1-161-964-91	CERAMIC 0.0047UF 250V			
1039		A	CAPACITOR		C6035	1-161-964-91	CERAMIC 0.0047UF 250V			
1040		A	CAPACITOR		C6036	1-162-962-11	CERAMIC CHIP 470PF 10.00% 50V			
1041		A	CAPACITOR		C6037	1-126-967-11	ELECT 47UF 20.00% 50V			
1042		A	CAPACITOR		C6039	1-126-935-11	ELECT 470UF 20.00% 16V			
1043		A	CAPACITOR		C6040	1-128-582-11	ELECT 10UF 20.00% 100V			
1044		A	CAPACITOR		C6042	1-164-004-11	CERAMIC CHIP 0.1UF 10.00% 25V			
1045		A	CAPACITOR		C6043	1-126-926-11	ELECT 1000UF 20.00% 10V			
1046		A	CAPACITOR		C6044	1-137-991-21	ELECT 3900UF 20% 10V			
1047		A	CAPACITOR		C6046	1-104-665-11	ELECT 100UF 20.00% 25V			
1048		A	CAPACITOR		C6047	1-137-991-21	ELECT 3900UF 20% 10V			
1049		A	CAPACITOR		C6048	1-165-729-31	ELECT 470UF 20% 16V			
1050		A	CAPACITOR		C6049	1-136-169-00	FILM 0.22UF 5.00% 50V			
1051		A	CAPACITOR		C6050	1-164-004-11	CERAMIC CHIP 0.1UF 10.00% 25V			
1052		A	CAPACITOR		C6051	1-126-935-11	ELECT 470UF 20.00% 16V			
1053		A	CAPACITOR		C6052	1-126-947-11	ELECT 47UF 20.00% 35V			
1054		A	CAPACITOR		C6054	1-110-501-11	CERAMIC CHIP 0.33UF 10.00% 16V			
1055		A	CAPACITOR		C6055	1-110-501-11	CERAMIC CHIP 0.33UF 10.00% 16V			
1056		A	CAPACITOR		C6056	1-126-960-11	ELECT 1UF 20.00% 50V			
1057		A	CAPACITOR		C6057	1-126-947-11	ELECT 47UF 20.00% 35V			
1058		A	CAPACITOR		C6058	1-126-934-11	ELECT 220UF 20.00% 16V			
1059		A	CAPACITOR		C6059	1-126-934-11	ELECT 220UF 20.00% 16V			
1060		A	CAPACITOR		C6060	1-130-494-11	MYLAR 0.082UF 5.00% 50V			
1061		A	CAPACITOR		C6062	1-128-581-11	ELECT 4.7UF 20.00% 100V			
1062		A	CAPACITOR		C6064	1-130-497-00	MYLAR 0.15UF 5.00% 50V			
1063		A	CAPACITOR		C6070	1-119-888-51	CERAMIC 2200PF 20.00% 250V			
1064		A	CAPACITOR		C6071	1-119-888-51	CERAMIC 2200PF 20.00% 250V			
1065		A	CAPACITOR		C6107	1-164-156-11	CERAMIC CHIP 0.1UF 25V			
1066		A	CAPACITOR		C6200	1-128-407-11	ELECT CHIP 47UF 20% 50V			
1067		A	CAPACITOR		C6201	1-162-966-11	CERAMIC CHIP 0.0022UF 10.00% 50V			
1068		A	CAPACITOR		C6202	1-162-966-11	CERAMIC CHIP 0.0022UF 10.00% 50V			
1069		A	CAPACITOR		C6203	1-162-966-11	CERAMIC CHIP 0.0022UF 10.00% 50V			
1070		A	CAPACITOR		C6204	1-117-681-11	ELECT CHIP 100UF 20.00% 16V			
1071		A	CAPACITOR		C6205	1-117-681-11	ELECT CHIP 100UF 20.00% 16V			
1072		A	CAPACITOR		C6207	1-124-779-00	ELECT CHIP 10UF 20.00% 16V			
1073		A	CAPACITOR		C6208	1-117-681-11	ELECT CHIP 100UF 20.00% 16V			
1074		A	CAPACITOR		C6209	1-162-970-11	CERAMIC CHIP 0.01UF 10.00% 25V			
1075		A	CAPACITOR		C6210	1-162-966-11	CERAMIC CHIP 0.0022UF 10.00% 50V			

No.	#	Board	Type	△/*	Ref.No.	Part No.	Description	Remarks-1	Remarks-2	Difference
1076		A	CAPACITOR		C6211	1-127-804-91	CERAMIC CHIP 100PF 1% 50V			
1077		A	CAPACITOR		C6212	1-115-156-11	CERAMIC CHIP 1UF 10V			
1078		A	CAPACITOR		C6213	1-165-176-11	CERAMIC CHIP 0.047UF 10.00% 16V			
1079		A	CAPACITOR		C6214	1-162-961-11	CERAMIC CHIP 330PF 10.00% 50V			
1080		A	CAPACITOR		C6215	1-162-966-11	CERAMIC CHIP 0.0022UF 10.00% 50V			
1081		A	CAPACITOR		C6216	1-162-966-11	CERAMIC CHIP 0.0022UF 10.00% 50V			
1082		A	CAPACITOR		C6217	1-117-681-11	ELECT CHIP 100UF 20.00% 16V			
1083		A	CAPACITOR		C6218	1-117-681-11	ELECT CHIP 100UF 20.00% 16V			
1084		A	CAPACITOR		C6219	1-162-966-11	CERAMIC CHIP 0.0022UF 10.00% 50V			
1085		A	CAPACITOR		C6220	1-164-156-11	CERAMIC CHIP 0.1UF 25V			
1086		A	CAPACITOR		C6221	1-117-681-11	ELECT CHIP 100UF 20.00% 16V			
1087		A	CAPACITOR		C6222	1-126-947-11	ELECT 47UF 20.00% 35V			
1088		A	CAPACITOR		C6223	1-162-966-11	CERAMIC CHIP 0.0022UF 10.00% 50V			
1089		A	CAPACITOR		C6224	1-127-804-91	CERAMIC CHIP 100PF 1% 50V			
1090		A	CAPACITOR		C6225	1-115-156-11	CERAMIC CHIP 1UF 10V			
1091		A	CAPACITOR		C6226	1-107-778-11	ELECT CHIP 470UF 20% 16V			
1092		A	CAPACITOR		C6227	1-162-970-11	CERAMIC CHIP 0.01UF 10.00% 25V			
1093		A	CAPACITOR		C6228	1-124-779-00	ELECT CHIP 10UF 20.00% 16V			
1094		A	CAPACITOR		C6229	1-162-966-11	CERAMIC CHIP 0.0022UF 10.00% 50V			
1095		A	CAPACITOR		C6230	1-165-176-11	CERAMIC CHIP 0.047UF 10.00% 16V			
1096		A	CAPACITOR		C6231	1-162-961-11	CERAMIC CHIP 330PF 10.00% 50V			
1097		A	CAPACITOR		C6233	1-128-594-11	ELECT CHIP 1UF 20.00% 50V			
1098		A	CAPACITOR		C6234	1-128-594-11	ELECT CHIP 1UF 20.00% 50V			
1099		A	CAPACITOR		C6235	1-164-156-11	CERAMIC CHIP 0.1UF 25V			
1100		A	CAPACITOR		C6236	1-117-681-11	ELECT CHIP 100UF 20.00% 16V			
1101		A	CAPACITOR		C6239	1-163-021-91	CERAMIC CHIP 0.01UF 10.00% 50V			
1102		A	CAPACITOR		C6240	1-163-021-91	CERAMIC CHIP 0.01UF 10.00% 50V			
1103		A	CONNECTOR	*	CN6001	1-691-960-71	PIN, CONNECTOR (PC BOARD) 3P			
1104		A	CONNECTOR	*	CN6002	1-766-240-11	PIN, CONNECTOR (PC BOARD) 2P			
1105		A	CONNECTOR	*	CN6003	1-766-240-11	PIN, CONNECTOR (PC BOARD) 2P			
1106		A	CONNECTOR	*	CN6004	1-691-757-11	PIN, CONNECTOR (PC BOARD) 8P			
1107		A	CONNECTOR		CN6005	1-695-915-11	TAB (CONTACT)			
1108		A	CONNECTOR	*	CN6101	1-566-761-11	PIN, CONNECTOR (PC BOARD) 6P			
1109		A	CONNECTOR		CN6201	1-779-339-21	CONNECTOR, FFC/FPC 30P			
1110		A	CONNECTOR	*	CN6203	1-566-763-11	PIN, CONNECTOR (PC BOARD) 8P			
1111		A	CONNECTOR	*	CN6204	1-566-764-11	PIN, CONNECTOR (PC BOARD) 9P			
1112		A	CONNECTOR	*	CN6205	1-564-507-11	PLUG, CONNECTOR 4P			
1113		A	CONNECTOR	*	CN6210	1-566-767-11	PIN, CONNECTOR (PC BOARD) 12P			
1114		A	CONNECTOR		CN6211	1-794-052-21	FFC/FPC CONNECTOR (LIF(NON-ZIF))32P			
1115		A	CONNECTOR		CN6212	1-695-915-11	TAB (CONTACT)			
1116		A	DIODE		D6001	8-719-404-50	DIODE MA111-TX			
1117		A	DIODE		D6002	8-719-085-58	DIODE EC30HA03L-TE12L			
1118		A	DIODE		D6003	8-719-158-09	DIODE RD4.7SB2			

No.	#	Board	Type	△/*	Ref.No.	Part No.	Descrption	Remarks-1	Remarks-2	Difference
1119		A	DIODE		D6004	8-719-077-77	DIODE D3SB60F3			
1120		A	DIODE		D6005	8-719-068-00	DIODE ERC04-06SE			
1121		A	DIODE		D6006	8-719-068-00	DIODE ERC04-06SE			
1122		A	DIODE		D6007	8-719-510-43	DIODE S1WB60B			
1123		A	DIODE		D6008	8-719-979-64	DIODE UF4005PKG23			
1124		A	DIODE		D6009	8-719-510-48	DIODE D1N20R			
1125		A	DIODE		D6010	8-719-510-48	DIODE D1N20R			
1126		A	DIODE		D6011	8-719-948-45	DIODE ERA22-08			
1127		A	DIODE		D6012	8-719-510-48	DIODE D1N20R			
1128		A	DIODE		D6013	8-719-510-48	DIODE D1N20R			
1129		A	DIODE		D6014	8-719-404-50	DIODE MA111-TX			
1130		A	DIODE		D6015	8-719-063-73	DIODE D1NL20U-TR			
1131		A	DIODE		D6016	8-719-063-73	DIODE D1NL20U-TR			
1132		A	DIODE		D6017	8-719-041-97	DIODE MA113-(TX)			
1133		A	DIODE		D6018	8-719-063-73	DIODE D1NL20U-TR			
1134		A	DIODE		D6019	8-719-063-73	DIODE D1NL20U-TR			
1135		A	DIODE		D6020	8-719-510-39	DIODE D10LC20U			
1136		A	DIODE		D6021	8-719-063-73	DIODE D1NL20U-TR			
1137		A	DIODE		D6023	8-719-055-40	DIODE FCQ30A04			
1138		A	DIODE		D6024	8-719-055-40	DIODE FCQ30A04			
1139		A	DIODE		D6025	8-719-404-50	DIODE MA111-TX			
1140		A	DIODE		D6026	8-719-033-53	DIODE RD6.8SB2-T1			
1141		A	DIODE		D6027	8-719-404-50	DIODE MA111-TX			
1142		A	DIODE		D6028	8-719-041-97	DIODE MA113-(TX)			
1143		A	DIODE		D6029	8-719-404-50	DIODE MA111-TX			
1144		A	DIODE		D6030	8-719-404-50	DIODE MA111-TX			
1145		A	DIODE		D6031	8-719-404-50	DIODE MA111-TX			
1146		A	DIODE		D6032	8-719-983-37	DIODE MTZJ-T-77-36A			
1147		A	DIODE		D6035	8-719-158-55	DIODE RD15SB			
1148		A	DIODE		D6036	8-719-158-55	DIODE RD15SB			
1149		A	DIODE		D6101	8-719-404-50	DIODE MA111-TX			
1150		A	DIODE		D6102	8-719-404-50	DIODE MA111-TX			
1151		A	DIODE		D6205	8-719-158-02	DIODE RD3.9SB2			
1152		A	FUSE	△	F6001	1-576-231-11	FUSE 4A 250V			
1153		A	FERRITE		FB6001	1-410-396-41	FERRITE 0.45UH			
1154		A	FERRITE		FB6002	1-410-397-21	FERRITE 1.1UH			
1155		A	FERRITE		FB6003	1-410-397-21	FERRITE 1.1UH			
1156		A	FERRITE		FB6005	1-410-397-21	FERRITE 1.1UH			
1157		A	FERRITE		FB6006	1-410-397-21	FERRITE 1.1UH			
1158		A	FERRITE		FB6200	1-216-295-91	SHORT CHIP 0			
1159		A	FERRITE		FB6201	1-216-295-91	SHORT CHIP 0			
1160		A	FERRITE		FB6202	1-216-295-91	SHORT CHIP 0			
1161		A	FERRITE		FB6203	1-414-233-22	FERRITE 0UH			

No.	#	Board	Type	△/*	Ref.No.	Part No.	Description	Remarks-1	Remarks-2	Difference
1162		A	FERRITE		FB6204	1-414-233-22	FERRITE 0UH			
1163		A	FERRITE		FB6205	1-216-295-91	SHORT CHIP 0			
1164		A	FERRITE		FB6206	1-216-295-91	SHORT CHIP 0			
1165		A	FERRITE		FB6207	1-216-295-91	SHORT CHIP 0			
1166		A	FERRITE		FB6208	1-216-295-91	SHORT CHIP 0			
1167		A	FERRITE		FB6209	1-414-233-22	FERRITE 0UH			
1168		A	FERRITE		FB6210	1-414-233-22	FERRITE 0UH			
1169		A	FERRITE		FB6211	1-216-295-91	SHORT CHIP 0			
1170		A	FERRITE		FB6212	1-216-295-91	SHORT CHIP 0			
1171		A	FUSE HOLDER		FH6001	1-533-223-11	FUSE HOLDER 0A 0V			
1172		A	FUSE HOLDER		FH6002	1-533-223-11	FUSE HOLDER 0A 0V			
1173		A	IC		IC6001	8-759-640-19	IC PQ1CG2032FZ			
1174		A	IC		IC6002	8-759-670-30	IC MCZ3001D			
1175		A	IC		IC6003	6-703-136-01	IC MIP2C20MP1SO			
1176		A	IC		IC6004	8-759-198-31	IC UPC1093J-1-T			
1177		A	IC		IC6005	8-759-198-31	IC UPC1093J-1-T			
1178		A	IC		IC6006	6-700-898-01	IC PQ05RD21			
1179		A	IC		IC6007	8-759-459-99	IC PQ09RD11			
1180		A	IC		IC6008	8-759-009-51	IC MC14538BF			
1181		A	IC		IC6200	8-752-072-94	IC CXA1875AM-T4			
1182		A	COIL		L6001	1-419-249-11	INDUCTOR 15UH			
1183		A	COIL		L6002	1-412-525-31	INDUCTOR 10UH			
1184		A	COIL		L6004	1-412-521-31	INDUCTOR 4.7UH			
1185		A	COIL		L6005	1-412-521-31	INDUCTOR 4.7UH			
1186		A	COIL		L6006	1-412-525-31	INDUCTOR 10UH			
1187		A	COIL		L6007	1-412-521-31	INDUCTOR 4.7UH			
1188		A	COIL		L6008	1-412-525-31	INDUCTOR 10UH			
1189		A	COIL		L6009	1-412-525-31	INDUCTOR 10UH			
1190		A	COIL		L6200	1-416-510-21	INDUCTOR 100UH			
1191		A	COIL		L6201	1-416-510-21	INDUCTOR 100UH			
1192		A	COIL		L6202	1-416-344-11	INDUCTOR 10UH			
1193		A	COIL		L6203	1-416-510-21	INDUCTOR 100UH			
1194		A	COIL		L6204	1-416-510-21	INDUCTOR 100UH			
1195		A	COIL		L6205	1-416-344-11	INDUCTOR 10UH			
1196		A	COIL		L6206	1-416-510-21	INDUCTOR 100UH			
1197		A	PHOTO COUPLER		PH6001	8-749-016-81	PHOTO COUPLER PC123Y22			
1198		A	PHOTO COUPLER		PH6002	8-749-924-35	PHOTO COUPLER ON3171-R			
1199		A	PHOTO COUPLER		PH6003	8-749-924-35	PHOTO COUPLER ON3171-R			
1200		A	IC LINK	△	PS6001	1-576-607-11	FUSE 6.3A 125V			
1201		A	IC LINK	△	PS6002	1-576-607-11	FUSE 6.3A 125V			
1202		A	TRANSISTOR		Q6001	8-729-900-53	TRANSISTOR DTC114EK			
1203		A	TRANSISTOR		Q6002	8-729-422-33	TRANSISTOR 2SD601A-Q-TX			
1204		A	TRANSISTOR		Q6003	8-729-052-32	TRANSISTOR IRFIB7N50A-LF31			

No.	#	Board	Type	△/*	Ref.No.	Part No.	Description	Remarks-1	Remarks-2	Difference
1205		A	TRANSISTOR		Q6004	8-729-052-32	TRANSISTOR IRFIB7N50A-LF31			
1206		A	TRANSISTOR		Q6006	8-729-422-33	TRANSISTOR 2SD601A-Q-TX			
1207		A	TRANSISTOR		Q6009	8-729-216-22	TRANSISTOR 2SA1162-G			
1208		A	TRANSISTOR		Q6010	8-729-023-22	TRANSISTOR 2SD2114K			
1209		A	TRANSISTOR		Q6011	1-801-806-11	TRANSISTOR DTC144EKA			
1210		A	TRANSISTOR		Q6012	8-729-422-33	TRANSISTOR 2SD601A-Q-TX			
1211		A	TRANSISTOR		Q6013	8-729-216-22	TRANSISTOR 2SA1162-G			
1212		A	TRANSISTOR		Q6014	8-729-140-96	TRANSISTOR 2SD774-34			
1213		A	TRANSISTOR		Q6200	8-729-422-29	TRANSISTOR 2SD601A-S			
1214		A	TRANSISTOR		Q6201	8-729-216-22	TRANSISTOR 2SA1162-G			
1215		A	TRANSISTOR		Q6202	8-729-422-29	TRANSISTOR 2SD601A-S			
1216		A	TRANSISTOR		Q6203	8-729-422-29	TRANSISTOR 2SD601A-S			
1217		A	TRANSISTOR		Q6204	8-729-216-22	TRANSISTOR 2SA1162-G			
1218		A	TRANSISTOR		Q6205	8-729-422-29	TRANSISTOR 2SD601A-S			
1219		A	TRANSISTOR		Q6206	8-729-422-29	TRANSISTOR 2SD601A-S			
1220		A	TRANSISTOR		Q6207	8-729-422-29	TRANSISTOR 2SD601A-S			
1221		A	RESISTOR		R6001	1-216-842-11	METAL CHIP 56K 5% 1/10W			
1222		A	RESISTOR		R6002	1-216-841-11	METAL CHIP 47K 5% 1/10W			
1223		A	RESISTOR		R6003	1-260-135-11	CARBON 1M 5% 1/2W			
1224		A	RESISTOR		R6004	1-218-702-11	METAL CHIP 2.7K 0.5% 1/10W			
1225		A	RESISTOR		R6005	1-218-708-11	METAL CHIP 4.7K 0.5% 1/10W			
1226		A	RESISTOR		R6006	1-216-841-11	METAL CHIP 47K 5% 1/10W			
1227		A	RESISTOR		R6007	1-202-962-11	CEMENTED 3.3 5% 10W			
1228		A	RESISTOR		R6008	1-216-821-11	METAL CHIP 1K 5% 1/10W			
1229		A	RESISTOR		R6009	1-220-926-81	FUSIBLE 0.47 10% 1/2W			
1230		A	RESISTOR		R6010	1-218-668-11	METAL CHIP 100 0.5% 1/10W			
1231		A	RESISTOR		R6011	1-218-720-11	METAL CHIP 15K 0.5% 1/10W			
1232		A	RESISTOR		R6012	1-218-720-11	METAL CHIP 15K 0.5% 1/10W			
1233		A	RESISTOR		R6014	1-535-303-00	LEAD, JUMPER (5.0MM)			
1234		A	RESISTOR		R6015	1-535-303-00	LEAD, JUMPER (5.0MM)			
1235		A	RESISTOR		R6016	1-245-480-21	METAL 560K 1% 1/4W			
1236		A	RESISTOR		R6017	1-218-668-11	METAL CHIP 100 0.5% 1/10W			
1237		A	RESISTOR		R6018	1-249-417-11	CARBON 1K 5% 1/4W			
1238		A	RESISTOR		R6019	1-249-393-11	CARBON 10 5% 1/4W			
1239		A	RESISTOR		R6020	1-249-393-11	CARBON 10 5% 1/4W			
1240		A	RESISTOR		R6021	1-249-397-11	CARBON 22 5% 1/4W			
1241		A	RESISTOR		R6022	1-216-833-11	METAL CHIP 10K 5% 1/10W			
1242		A	RESISTOR		R6023	1-216-833-11	METAL CHIP 10K 5% 1/10W			
1243		A	RESISTOR		R6024	1-249-397-11	CARBON 22 5% 1/4W			
1244		A	RESISTOR		R6025	1-218-642-11	METAL OXIDE 100K 5% 1W			
1245		A	RESISTOR		R6026	1-216-852-11	METAL CHIP 390K 5% 1/10W			
1246		A	RESISTOR		R6027	1-249-397-11	CARBON 22 5% 1/4W			
1247		A	RESISTOR		R6028	1-243-979-71	METAL OXIDE 0.1 5% 2W			

No.	#	Board	Type	△/*	Ref.No.	Part No.	Descrption	Remarks-1	Remarks-2	Difference
1248		A	RESISTOR		R6029	1-249-393-11	CARBON 10 5% 1/4W			
1249		A	RESISTOR		R6030	1-216-835-11	METAL CHIP 15K 5% 1/10W			
1250		A	RESISTOR		R6031	1-216-817-11	METAL CHIP 470 5% 1/10W			
1251		A	RESISTOR		R6032	1-247-289-00	CARBON 8.2M 5% 1W			
1252		A	RESISTOR		R6033	1-216-821-11	METAL CHIP 1K 5% 1/10W			
1253		A	RESISTOR		R6034	1-249-417-11	CARBON 1K 5% 1/4W			
1254		A	RESISTOR		R6035	1-218-724-11	METAL CHIP 22K 0.5% 1/10W			
1255		A	RESISTOR		R6037	1-216-805-11	METAL CHIP 47 5% 1/10W			
1256		A	RESISTOR		R6038	1-216-041-00	RES-CHIP 470 5% 1/10W			
1257		A	RESISTOR		R6039	1-216-845-11	METAL CHIP 100K 5% 1/10W			
1258		A	RESISTOR		R6040	1-218-724-11	METAL CHIP 22K 0.5% 1/10W			
1259		A	RESISTOR		R6041	1-216-829-11	METAL CHIP 4.7K 5% 1/10W			
1260		A	RESISTOR		R6043	1-216-821-11	METAL CHIP 1K 5% 1/10W			
1261		A	RESISTOR		R6045	1-216-845-11	METAL CHIP 100K 5% 1/10W			
1262		A	RESISTOR		R6048	1-216-821-11	METAL CHIP 1K 5% 1/10W			
1263		A	RESISTOR		R6049	1-216-821-11	METAL CHIP 1K 5% 1/10W			
1264		A	RESISTOR		R6050	1-216-821-11	METAL CHIP 1K 5% 1/10W			
1265		A	RESISTOR		R6051	1-218-708-11	METAL CHIP 4.7K 0.5% 1/10W			
1266		A	RESISTOR		R6052	1-218-712-11	METAL CHIP 6.8K 0.5% 1/10W			
1267		A	RESISTOR		R6053	1-249-405-11	CARBON 100 5% 1/4W			
1268		A	RESISTOR		R6054	1-216-833-11	METAL CHIP 10K 5% 1/10W			
1269		A	RESISTOR		R6055	1-249-405-11	CARBON 100 5% 1/4W			
1270		A	RESISTOR		R6056	1-216-833-11	METAL CHIP 10K 5% 1/10W			
1271		A	RESISTOR		R6057	1-216-821-11	METAL CHIP 1K 5% 1/10W			
1272		A	RESISTOR		R6058	1-216-809-11	METAL CHIP 100 5% 1/10W			
1273		A	RESISTOR		R6059	1-216-841-11	METAL CHIP 47K 5% 1/10W			
1274		A	RESISTOR		R6060	1-216-841-11	METAL CHIP 47K 5% 1/10W			
1275		A	RESISTOR		R6061	1-216-857-11	METAL CHIP 1M 5% 1/10W			
1276		A	RESISTOR		R6062	1-216-833-11	METAL CHIP 10K 5% 1/10W			
1277		A	RESISTOR		R6063	1-249-393-11	CARBON 10 5% 1/4W			
1278		A	RESISTOR		R6064	1-216-833-11	METAL CHIP 10K 5% 1/10W			
1279		A	RESISTOR		R6065	1-216-833-11	METAL CHIP 10K 5% 1/10W			
1280		A	RESISTOR		R6068	1-216-857-11	METAL CHIP 1M 5% 1/10W			
1281		A	RESISTOR		R6074	1-260-131-11	CARBON 470K 5% 1/2W			
1282		A	RESISTOR		R6075	1-260-131-11	CARBON 470K 5% 1/2W			
1283		A	RESISTOR		R6081	1-245-477-21	METAL 430K 1% 1/4W			
1284		A	RESISTOR		R6107	1-216-845-11	METAL CHIP 100K 5% 1/10W			
1285		A	RESISTOR		R6108	1-216-833-11	METAL CHIP 10K 5% 1/10W			
1286		A	RESISTOR		R6109	1-216-833-11	METAL CHIP 10K 5% 1/10W			
1287		A	RESISTOR		R6200	1-216-825-11	METAL CHIP 2.2K 5% 1/10W			
1288		A	RESISTOR		R6201	1-216-805-11	METAL CHIP 47 5% 1/10W			
1289		A	RESISTOR		R6202	1-216-805-11	METAL CHIP 47 5% 1/10W			
1290		A	RESISTOR		R6204	1-216-864-11	SHORT CHIP 0			

No.	#	Board	Type	△/*	Ref.No.	Part No.	Descrption	Remarks-1	Remarks-2	Difference
1291		A	RESISTOR		R6205	1-216-839-11	METAL CHIP 33K 5% 1/10W			
1292		A	RESISTOR		R6206	1-216-837-11	METAL CHIP 22K 5% 1/10W			
1293		A	RESISTOR		R6207	1-216-825-11	METAL CHIP 2.2K 5% 1/10W			
1294		A	RESISTOR		R6208	1-216-847-11	METAL CHIP 150K 5% 1/10W			
1295		A	RESISTOR		R6209	1-216-833-11	METAL CHIP 10K 5% 1/10W			
1296		A	RESISTOR		R6210	1-216-829-11	METAL CHIP 4.7K 5% 1/10W			
1297		A	RESISTOR		R6211	1-216-833-11	METAL CHIP 10K 5% 1/10W			
1298		A	RESISTOR		R6212	1-216-857-11	METAL CHIP 1M 5% 1/10W			
1299		A	RESISTOR		R6213	1-216-847-11	METAL CHIP 150K 5% 1/10W			
1300		A	RESISTOR		R6214	1-216-823-11	METAL CHIP 1.5K 5% 1/10W			
1301		A	RESISTOR		R6215	1-216-813-11	METAL CHIP 220 5% 1/10W			
1302		A	RESISTOR		R6216	1-216-825-11	METAL CHIP 2.2K 5% 1/10W			
1303		A	RESISTOR		R6217	1-216-805-11	METAL CHIP 47 5% 1/10W			
1304		A	RESISTOR		R6218	1-216-805-11	METAL CHIP 47 5% 1/10W			
1305		A	RESISTOR		R6219	1-216-864-11	SHORT CHIP 0			
1306		A	RESISTOR		R6221	1-216-833-11	METAL CHIP 10K 5% 1/10W			
1307		A	RESISTOR		R6222	1-216-829-11	METAL CHIP 4.7K 5% 1/10W			
1308		A	RESISTOR		R6223	1-216-864-11	SHORT CHIP 0			
1309		A	RESISTOR		R6224	1-216-827-11	METAL CHIP 3.3K 5% 1/10W			
1310		A	RESISTOR		R6225	1-216-833-11	METAL CHIP 10K 5% 1/10W			
1311		A	RESISTOR		R6226	1-216-847-11	METAL CHIP 150K 5% 1/10W			
1312		A	RESISTOR		R6227	1-216-837-11	METAL CHIP 22K 5% 1/10W			
1313		A	RESISTOR		R6228	1-216-839-11	METAL CHIP 33K 5% 1/10W			
1314		A	RESISTOR		R6229	1-216-857-11	METAL CHIP 1M 5% 1/10W			
1315		A	RESISTOR		R6230	1-216-847-11	METAL CHIP 150K 5% 1/10W			
1316		A	RESISTOR		R6231	1-216-823-11	METAL CHIP 1.5K 5% 1/10W			
1317		A	RESISTOR		R6232	1-216-864-11	SHORT CHIP 0			
1318		A	RESISTOR		R6233	1-216-821-11	METAL CHIP 1K 5% 1/10W			
1319		A	RESISTOR		R6234	1-216-864-11	SHORT CHIP 0			
1320		A	RESISTOR		R6235	1-216-825-11	METAL CHIP 2.2K 5% 1/10W			
1321		A	RESISTOR		R6236	1-216-809-11	METAL CHIP 100 5% 1/10W			
1322		A	RESISTOR		R6237	1-216-833-11	METAL CHIP 10K 5% 1/10W			
1323		A	RESISTOR		R6238	1-216-833-11	METAL CHIP 10K 5% 1/10W			
1324		A	RESISTOR		R6239	1-216-864-11	SHORT CHIP 0			
1325		A	RESISTOR		R6240	1-216-833-11	METAL CHIP 10K 5% 1/10W			
1326		A	RESISTOR		R6241	1-216-809-11	METAL CHIP 100 5% 1/10W			
1327		A	RESISTOR		R6242	1-216-809-11	METAL CHIP 100 5% 1/10W			
1328		A	RESISTOR		R6243	1-216-833-11	METAL CHIP 10K 5% 1/10W			
1329		A	RESISTOR		R6245	1-216-805-11	METAL CHIP 47 5% 1/10W			
1330		A	RESISTOR		R6246	1-216-805-11	METAL CHIP 47 5% 1/10W			
1331		A	RESISTOR		R6247	1-216-833-11	METAL CHIP 10K 5% 1/10W			
1332		A	RESISTOR		R6248	1-216-833-11	METAL CHIP 10K 5% 1/10W			
1333		A	RESISTOR		R6249	1-216-833-11	METAL CHIP 10K 5% 1/10W			

No.	#	Board	Type	△/*	Ref.No.	Part No.	Description	Remarks-1	Remarks-2	Difference
1334		A	RESISTOR		R6250	1-216-833-11	METAL CHIP 10K 5% 1/10W			
1335		A	RESISTOR		R6251	1-216-825-11	METAL CHIP 2.2K 5% 1/10W			
1336		A	RESISTOR		R6252	1-216-864-11	SHORT CHIP 0			
1337		A	RESISTOR		R6253	1-216-864-11	SHORT CHIP 0			
1338		A	RELAY		RY6001	1-755-407-11	RELAY (AC POWER)			
1339		A	TRANSFORMER		T6001	1-431-419-21	TRANSFORMER, LINE FILTER			
1340		A	TRANSFORMER		T6002	1-437-972-21	DC-DC CONVERTER TRANSFORMER			
1341		A	TRANSFORMER		T6003	1-437-975-11	POWER TRANSFORMER			
1342		A	THERMISTOR		TH6001	1-803-586-41	THERMISTOR			
1343		A	TUNER		TU6200	8-598-594-30	TUNER, FSS BTF-FA421			
1344		A	TUNER		TU6201	8-598-593-50	TUNER, FSS BTF-WA421			
1345		A	VARISTOR		VD6001	1-801-058-51	VARISTOR ERZV14D271			
1346		A	VARISTOR		VD6002	1-803-585-11	VARISTOR ENE271D-10A			
1347		M	CAPACITOR		C4805	1-162-970-11	CERAMIC CHIP 0.01UF 10.00% 25V			
1348		M	CAPACITOR		C4806	1-162-970-11	CERAMIC CHIP 0.01UF 10.00% 25V			
1349		M	CAPACITOR		C4807	1-162-970-11	CERAMIC CHIP 0.01UF 10.00% 25V			
1350		M	CAPACITOR		C4808	1-107-826-11	CERAMIC CHIP 0.1UF 10.00% 16V			
1351		M	CAPACITOR		C4809	1-126-205-11	ELECT CHIP 47UF 20.00% 6.3V			
1352		M	CAPACITOR		C4810	1-107-826-11	CERAMIC CHIP 0.1UF 10.00% 16V			
1353		M	CAPACITOR		C4811	1-126-205-11	ELECT CHIP 47UF 20.00% 6.3V			
1354		M	CAPACITOR		C4812	1-107-826-11	CERAMIC CHIP 0.1UF 10.00% 16V			
1355		M	CAPACITOR		C4813	1-126-205-11	ELECT CHIP 47UF 20.00% 6.3V			
1356		M	CAPACITOR		C4816	1-162-970-11	CERAMIC CHIP 0.01UF 10.00% 25V			
1357		M	CAPACITOR		C4817	1-162-970-11	CERAMIC CHIP 0.01UF 10.00% 25V			
1358		M	CAPACITOR		C4900	1-164-156-11	CERAMIC CHIP 0.1UF 25V			
1359		M	CAPACITOR		C4901	1-164-156-11	CERAMIC CHIP 0.1UF 25V			
1360		M	CAPACITOR		C4902	1-126-204-11	ELECT CHIP 47UF 20.00% 16V			
1361		M	CAPACITOR		C4903	1-126-204-11	ELECT CHIP 47UF 20.00% 16V			
1362		M	CAPACITOR		C4904	1-162-964-11	CERAMIC CHIP 0.001UF 10.00% 50V			
1363		M	CAPACITOR		C4905	1-107-826-11	CERAMIC CHIP 0.1UF 10.00% 16V			
1364		M	CAPACITOR		C4906	1-162-970-11	CERAMIC CHIP 0.01UF 10.00% 25V			
1365		M	CAPACITOR		C4907	1-162-970-11	CERAMIC CHIP 0.01UF 10.00% 25V			
1366		M	CAPACITOR		C4908	1-107-826-11	CERAMIC CHIP 0.1UF 10.00% 16V			
1367		M	CAPACITOR		C4909	1-162-964-11	CERAMIC CHIP 0.001UF 10.00% 50V			
1368		M	CAPACITOR		C4910	1-117-681-11	ELECT CHIP 100UF 20.00% 16V			
1369		M	CAPACITOR		C4911	1-128-416-11	ELECT CHIP 100UF 20.00% 16V			
1370		M	CAPACITOR		C4912	1-162-970-11	CERAMIC CHIP 0.01UF 10.00% 25V			
1371		M	CAPACITOR		C4913	1-162-970-11	CERAMIC CHIP 0.01UF 10.00% 25V			
1372		M	CAPACITOR		C4914	1-107-826-11	CERAMIC CHIP 0.1UF 10.00% 16V			
1373		M	CAPACITOR		C4915	1-164-156-11	CERAMIC CHIP 0.1UF 25V			
1374		M	CAPACITOR		C4916	1-162-970-11	CERAMIC CHIP 0.01UF 10.00% 25V			
1375		M	CAPACITOR		C4917	1-162-970-11	CERAMIC CHIP 0.01UF 10.00% 25V			
1376		M	CAPACITOR		C4918	1-126-204-11	ELECT CHIP 47UF 20.00% 16V			



No.	#	Board	Type	△/*	Ref.No.	Part No.	Description	Remarks-1	Remarks-2	Difference
1377		M	CAPACITOR		C4919	1-126-204-11	ELECT CHIP 47UF 20.00% 16V			
1378		M	CAPACITOR		C4920	1-107-826-11	CERAMIC CHIP 0.1UF 10.00% 16V			
1379		M	CAPACITOR		C4921	1-162-970-11	CERAMIC CHIP 0.01UF 10.00% 25V			
1380		M	CAPACITOR		C4922	1-162-964-11	CERAMIC CHIP 0.001UF 10.00% 50V			
1381		M	CAPACITOR		C4923	1-126-204-11	ELECT CHIP 47UF 20.00% 16V			
1382		M	CAPACITOR		C4924	1-107-826-11	CERAMIC CHIP 0.1UF 10.00% 16V			
1383		M	CAPACITOR		C4925	1-162-967-11	CERAMIC CHIP 0.0033UF 10.00% 50V			
1384		M	CAPACITOR		C4926	1-162-970-11	CERAMIC CHIP 0.01UF 10.00% 25V			
1385		M	CAPACITOR		C4927	1-162-970-11	CERAMIC CHIP 0.01UF 10.00% 25V			
1386		M	CAPACITOR		C4928	1-162-970-11	CERAMIC CHIP 0.01UF 10.00% 25V			
1387		M	CAPACITOR		C4929	1-162-970-11	CERAMIC CHIP 0.01UF 10.00% 25V			
1388		M	CAPACITOR		C4930	1-162-970-11	CERAMIC CHIP 0.01UF 10.00% 25V			
1389		M	CAPACITOR		C4931	1-162-970-11	CERAMIC CHIP 0.01UF 10.00% 25V			
1390		M	CAPACITOR		C4932	1-162-970-11	CERAMIC CHIP 0.01UF 10.00% 25V			
1391		M	CAPACITOR		C4933	1-164-360-11	CERAMIC CHIP 0.1UF 16V			
1392		M	CAPACITOR		C4934	1-162-970-11	CERAMIC CHIP 0.01UF 10.00% 25V			
1393		M	CAPACITOR		C4935	1-162-970-11	CERAMIC CHIP 0.01UF 10.00% 25V			
1394		M	CAPACITOR		C4936	1-162-970-11	CERAMIC CHIP 0.01UF 10.00% 25V			
1395		M	CAPACITOR		C4937	1-162-970-11	CERAMIC CHIP 0.01UF 10.00% 25V			
1396		M	CAPACITOR		C4938	1-162-970-11	CERAMIC CHIP 0.01UF 10.00% 25V			
1397		M	CAPACITOR		C4939	1-162-970-11	CERAMIC CHIP 0.01UF 10.00% 25V			
1398		M	CAPACITOR		C4940	1-162-970-11	CERAMIC CHIP 0.01UF 10.00% 25V			
1399		M	CAPACITOR		C4941	1-162-970-11	CERAMIC CHIP 0.01UF 10.00% 25V			
1400		M	CAPACITOR		C4942	1-162-970-11	CERAMIC CHIP 0.01UF 10.00% 25V			
1401		M	CAPACITOR		C4943	1-162-970-11	CERAMIC CHIP 0.01UF 10.00% 25V			
1402		M	CAPACITOR		C4944	1-162-970-11	CERAMIC CHIP 0.01UF 10.00% 25V			
1403		M	CAPACITOR		C4945	1-162-970-11	CERAMIC CHIP 0.01UF 10.00% 25V			
1404		M	CAPACITOR		C4946	1-162-970-11	CERAMIC CHIP 0.01UF 10.00% 25V			
1405		M	CAPACITOR		C4947	1-162-970-11	CERAMIC CHIP 0.01UF 10.00% 25V			
1406		M	CAPACITOR		C4948	1-162-970-11	CERAMIC CHIP 0.01UF 10.00% 25V			
1407		M	CAPACITOR		C4949	1-162-970-11	CERAMIC CHIP 0.01UF 10.00% 25V			
1408		M	CAPACITOR		C4950	1-162-970-11	CERAMIC CHIP 0.01UF 10.00% 25V			
1409		M	CAPACITOR		C4951	1-162-970-11	CERAMIC CHIP 0.01UF 10.00% 25V			
1410		M	CAPACITOR		C4952	1-124-779-00	ELECT CHIP 10UF 20.00% 16V			
1411		M	CAPACITOR		C4953	1-162-970-11	CERAMIC CHIP 0.01UF 10.00% 25V			
1412		M	CAPACITOR		C4954	1-162-970-11	CERAMIC CHIP 0.01UF 10.00% 25V			
1413		M	CAPACITOR		C4955	1-162-970-11	CERAMIC CHIP 0.01UF 10.00% 25V			
1414		M	CAPACITOR		C4956	1-124-779-00	ELECT CHIP 10UF 20.00% 16V			
1415		M	CAPACITOR		C4958	1-162-964-11	CERAMIC CHIP 0.001UF 10.00% 50V			
1416		M	CAPACITOR		C4959	1-162-964-11	CERAMIC CHIP 0.001UF 10.00% 50V			
1417		M	CAPACITOR		C4960	1-107-826-11	CERAMIC CHIP 0.1UF 10.00% 16V			
1418		M	CAPACITOR		C5001	1-124-779-00	ELECT CHIP 10UF 20.00% 16V			
1419		M	CAPACITOR		C5002	1-124-779-00	ELECT CHIP 10UF 20.00% 16V			

No.	#	Board	Type	△/*	Ref.No.	Part No.	Descrption	Remarks-1	Remarks-2	Difference
1420		M	CAPACITOR		C5003	1-117-681-11	ELECT CHIP 100UF 20.00% 16V			
1421		M	CAPACITOR		C5004	1-117-681-11	ELECT CHIP 100UF 20.00% 16V			
1422		M	CAPACITOR		C5005	1-162-927-11	CERAMIC CHIP 100PF 5.00% 50V			
1423		M	CAPACITOR		C5006	1-117-681-11	ELECT CHIP 100UF 20.00% 16V			
1424		M	CAPACITOR		C5007	1-162-927-11	CERAMIC CHIP 100PF 5.00% 50V			
1425		M	CAPACITOR		C5008	1-162-927-11	CERAMIC CHIP 100PF 5.00% 50V			
1426		M	CAPACITOR		C5009	1-107-826-11	CERAMIC CHIP 0.1UF 10.00% 16V			
1427		M	CAPACITOR		C5010	1-162-927-11	CERAMIC CHIP 100PF 5.00% 50V			
1428		M	CAPACITOR		C5011	1-124-779-00	ELECT CHIP 10UF 20.00% 16V			
1429		M	CAPACITOR		C5012	1-124-779-00	ELECT CHIP 10UF 20.00% 16V			
1430		M	CAPACITOR		C5013	1-107-826-11	CERAMIC CHIP 0.1UF 10.00% 16V			
1431		M	CAPACITOR		C5014	1-124-779-00	ELECT CHIP 10UF 20.00% 16V			
1432		M	CAPACITOR		C5015	1-126-206-11	ELECT CHIP 100UF 20.00% 6.3V			
1433		M	CAPACITOR		C5016	1-124-779-00	ELECT CHIP 10UF 20.00% 16V			
1434		M	CAPACITOR		C5017	1-126-205-11	ELECT CHIP 47UF 20.00% 6.3V			
1435		M	CAPACITOR		C5018	1-162-970-11	CERAMIC CHIP 0.01UF 10.00% 25V			
1436		M	CAPACITOR		C5019	1-107-826-11	CERAMIC CHIP 0.1UF 10.00% 16V			
1437		M	CAPACITOR		C5020	1-124-779-00	ELECT CHIP 10UF 20.00% 16V			
1438		M	CAPACITOR		C5021	1-164-392-11	CERAMIC CHIP 390PF 5.00% 50V			
1439		M	CAPACITOR		C5023	1-162-970-11	CERAMIC CHIP 0.01UF 10.00% 25V			
1440		M	CAPACITOR		C5024	1-126-205-11	ELECT CHIP 47UF 20.00% 6.3V			
1441		M	CAPACITOR		C5025	1-162-970-11	CERAMIC CHIP 0.01UF 10.00% 25V			
1442		M	CAPACITOR		C5026	1-162-970-11	CERAMIC CHIP 0.01UF 10.00% 25V			
1443		M	CAPACITOR		C5027	1-162-921-11	CERAMIC CHIP 33PF 5.00% 50V			
1444		M	CAPACITOR		C5028	1-162-921-11	CERAMIC CHIP 33PF 5.00% 50V			
1445		M	CAPACITOR		C5029	1-117-681-11	ELECT CHIP 100UF 20.00% 16V			
1446		M	CAPACITOR		C5030	1-162-970-11	CERAMIC CHIP 0.01UF 10.00% 25V			
1447		M	CAPACITOR		C5031	1-125-891-11	CERAMIC CHIP 0.47UF 10.00% 10V			
1448		M	CAPACITOR		C5032	1-107-826-11	CERAMIC CHIP 0.1UF 10.00% 16V			
1449		M	CAPACITOR		C5033	1-126-205-11	ELECT CHIP 47UF 20.00% 6.3V			
1450		M	CAPACITOR		C5034	1-107-826-11	CERAMIC CHIP 0.1UF 10.00% 16V			
1451		M	CAPACITOR		C5035	1-126-205-11	ELECT CHIP 47UF 20.00% 6.3V			
1452		M	CAPACITOR		C5036	1-124-779-00	ELECT CHIP 10UF 20.00% 16V			
1453		M	CAPACITOR		C5037	1-162-927-11	CERAMIC CHIP 100PF 5.00% 50V			
1454		M	CAPACITOR		C5038	1-124-779-00	ELECT CHIP 10UF 20.00% 16V			
1455		M	CAPACITOR		C5039	1-162-970-11	CERAMIC CHIP 0.01UF 10.00% 25V			
1456		M	CAPACITOR		C5040	1-162-927-11	CERAMIC CHIP 100PF 5.00% 50V			
1457		M	CAPACITOR		C5101	1-107-826-11	CERAMIC CHIP 0.1UF 10.00% 16V			
1458		M	CAPACITOR		C5102	1-126-205-11	ELECT CHIP 47UF 20.00% 6.3V			
1459		M	CAPACITOR		C5103	1-162-970-11	CERAMIC CHIP 0.01UF 10.00% 25V			
1460		M	CAPACITOR		C5104	1-107-826-11	CERAMIC CHIP 0.1UF 10.00% 16V			
1461		M	CAPACITOR		C5105	1-107-826-11	CERAMIC CHIP 0.1UF 10.00% 16V			
1462		M	CAPACITOR		C5108	1-107-826-11	CERAMIC CHIP 0.1UF 10.00% 16V			

No.	#	Board	Type	△/*	Ref.No.	Part No.	Description	Remarks-1	Remarks-2	Difference
1463		M	CAPACITOR		C5109	1-162-964-11	CERAMIC CHIP 0.001UF 10.00% 50V			
1464		M	CAPACITOR		C5110	1-162-964-11	CERAMIC CHIP 0.001UF 10.00% 50V			
1465		M	CAPACITOR		C5113	1-107-826-11	CERAMIC CHIP 0.1UF 10.00% 16V			
1466		M	CAPACITOR		C5116	1-107-826-11	CERAMIC CHIP 0.1UF 10.00% 16V			
1467		M	CAPACITOR		C5151	1-107-826-11	CERAMIC CHIP 0.1UF 10.00% 16V			
1468		M	CAPACITOR		C5152	1-162-964-11	CERAMIC CHIP 0.001UF 10.00% 50V			
1469		M	CAPACITOR		C5200	1-107-826-11	CERAMIC CHIP 0.1UF 10.00% 16V			
1470		M	CAPACITOR		C5201	1-124-779-00	ELECT CHIP 10UF 20.00% 16V			
1471		M	CAPACITOR		C5202	1-107-826-11	CERAMIC CHIP 0.1UF 10.00% 16V			
1472		M	CAPACITOR		C5204	1-107-826-11	CERAMIC CHIP 0.1UF 10.00% 16V			
1473		M	CAPACITOR		C5205	1-104-607-11	ELECT CHIP 47UF 20.00% 16V			
1474		M	CAPACITOR		C5207	1-107-826-11	CERAMIC CHIP 0.1UF 10.00% 16V			
1475		M	CAPACITOR		C5208	1-162-974-11	CERAMIC CHIP 0.01UF 50V			
1476		M	CAPACITOR		C5210	1-126-204-11	ELECT CHIP 47UF 20.00% 16V			
1477		M	CAPACITOR		C5211	1-164-156-11	CERAMIC CHIP 0.1UF 25V			
1478		M	CAPACITOR		C5212	1-126-395-11	ELECT CHIP 22UF 20.00% 16V			
1479		M	CAPACITOR		C5213	1-162-974-11	CERAMIC CHIP 0.01UF 50V			
1480		M	CAPACITOR		C5214	1-124-779-00	ELECT CHIP 10UF 20.00% 16V			
1481		M	CAPACITOR		C5215	1-164-156-11	CERAMIC CHIP 0.1UF 25V			
1482		M	CAPACITOR		C5217	1-126-395-11	ELECT CHIP 22UF 20.00% 16V			
1483		M	CAPACITOR		C5218	1-162-970-11	CERAMIC CHIP 0.01UF 10.00% 25V			
1484		M	CAPACITOR		C5219	1-162-974-11	CERAMIC CHIP 0.01UF 50V			
1485		M	CAPACITOR		C5222	1-162-919-11	CERAMIC CHIP 22PF 5.00% 50V			
1486		M	CAPACITOR		C5223	1-162-919-11	CERAMIC CHIP 22PF 5.00% 50V			
1487		M	CAPACITOR		C5224	1-162-970-11	CERAMIC CHIP 0.01UF 10.00% 25V			
1488		M	CAPACITOR		C5225	1-162-970-11	CERAMIC CHIP 0.01UF 10.00% 25V			
1489		M	CAPACITOR		C5226	1-162-970-11	CERAMIC CHIP 0.01UF 10.00% 25V			
1490		M	CAPACITOR		C5227	1-162-974-11	CERAMIC CHIP 0.01UF 50V			
1491		M	CAPACITOR		C5228	1-162-964-11	CERAMIC CHIP 0.001UF 10.00% 50V			
1492		M	CAPACITOR		C5229	1-162-974-11	CERAMIC CHIP 0.01UF 50V			
1493		M	CAPACITOR		C5230	1-115-156-11	CERAMIC CHIP 1UF 10V			
1494		M	CAPACITOR		C5231	1-126-206-11	ELECT CHIP 100UF 20.00% 6.3V			
1495		M	CAPACITOR		C5234	1-126-204-11	ELECT CHIP 47UF 20.00% 16V			
1496		M	CAPACITOR		C5235	1-162-964-11	CERAMIC CHIP 0.001UF 10.00% 50V			
1497		M	CAPACITOR		C5236	1-107-826-11	CERAMIC CHIP 0.1UF 10.00% 16V			
1498		M	CAPACITOR		C5237	1-107-826-11	CERAMIC CHIP 0.1UF 10.00% 16V			
1499		M	CAPACITOR		C5238	1-107-826-11	CERAMIC CHIP 0.1UF 10.00% 16V			
1500		M	CAPACITOR		C5239	1-107-826-11	CERAMIC CHIP 0.1UF 10.00% 16V			
1501		M	CAPACITOR		C5240	1-162-967-11	CERAMIC CHIP 0.0033UF 10.00% 50V			
1502		M	CAPACITOR		C5301	1-162-970-11	CERAMIC CHIP 0.01UF 10.00% 25V			
1503		M	CONNECTOR		CN4801	1-817-120-11	CONNECTOR, DVI-D			
1504		M	CONNECTOR	*	CN4900	1-785-427-11	CONNECTOR, BOARD TO WIRE 20P			
1505		M	CONNECTOR		CN5100	1-817-112-11	HALF PITCH CONNECTOR (26PIN)			

No.	#	Board	Type	△/*	Ref.No.	Part No.	Description	Remarks-1	Remarks-2	Difference
1506		M	CONNECTOR	*	CN5201	1-764-333-11	PLUG, CONNECTOR 10P			
1507		M	CONNECTOR	*	CN5202	1-764-007-11	PIN, CONNECTOR (SMD) 12P			
1508		M	CONNECTOR		CN5210	1-766-360-21	CONNECTOR, FFC/FPC 30P			
1509		M	CONNECTOR		CN5230	1-770-105-21	CONNECTOR, FFC/FPC 40P			
1510		M	CONNECTOR		CN5238	1-770-701-11	CONNECTOR, FFC/FPC 18P			
1511		M	DIODE		D4801	8-719-069-55	DIODE UDZSTE-175.6B			
1512		M	DIODE		D4802	8-719-069-55	DIODE UDZSTE-175.6B			
1513		M	DIODE		D4803	8-719-024-77	DIODE HN1D03FU-TE85L			
1514		M	DIODE		D4804	8-719-024-77	DIODE HN1D03FU-TE85L			
1515		M	DIODE		D4805	8-719-024-77	DIODE HN1D03FU-TE85L			
1516		M	DIODE		D4806	8-719-024-77	DIODE HN1D03FU-TE85L			
1517		M	DIODE		D4807	8-719-024-77	DIODE HN1D03FU-TE85L			
1518		M	DIODE		D4808	8-719-941-86	DIODE DAN202U			
1519		M	DIODE		D4900	8-719-050-37	DIODE M1MA152WA-T1			
1520		M	DIODE		D4901	8-719-050-38	DIODE M1MA152WK-T1			
1521		M	DIODE		D5001	8-719-404-50	DIODE MA111-TX			
1522		M	DIODE		D5100	8-719-069-55	DIODE UDZSTE-175.6B			
1523		M	DIODE		D5102	8-719-069-55	DIODE UDZSTE-175.6B			
1524		M	DIODE		D5105	8-719-069-55	DIODE UDZSTE-175.6B			
1525		M	DIODE		D5106	8-719-069-55	DIODE UDZSTE-175.6B			
1526		M	DIODE		D5107	8-719-024-77	DIODE HN1D03FU-TE85L			
1527		M	DIODE		D5108	8-719-024-77	DIODE HN1D03FU-TE85L			
1528		M	DIODE		D5109	8-719-024-77	DIODE HN1D03FU-TE85L			
1529		M	DIODE		D5110	8-719-024-77	DIODE HN1D03FU-TE85L			
1530		M	DIODE		D5111	8-719-941-86	DIODE DAN202U			
1531		M	DIODE		D5121	8-719-404-50	DIODE MA111-TX			
1532		M	DIODE		D5122	8-719-404-50	DIODE MA111-TX			
1533		M	DIODE		D5151	8-719-404-50	DIODE MA111-TX			
1534		M	DIODE		D5200	8-719-914-43	DIODE DAN202K			
1535		M	DIODE		D5201	8-719-914-44	DIODE DAP202K			
1536		M	DIODE		D5202	8-719-404-50	DIODE MA111-TX			
1537		M	DIODE		D5204	8-719-404-50	DIODE MA111-TX			
1538		M	DIODE		D5205	8-719-914-43	DIODE DAN202K			
1539		M	DIODE		D5206	8-719-914-44	DIODE DAP202K			
1540		M	DIODE		D5208	8-719-404-50	DIODE MA111-TX			
1541		M	DIODE		D5209	8-719-914-43	DIODE DAN202K			
1542		M	DIODE		D5210	8-719-404-50	DIODE MA111-TX			
1543		M	DIODE		D5211	8-719-914-43	DIODE DAN202K			
1544		M	DIODE		D5212	8-719-914-43	DIODE DAN202K			
1545		M	DIODE		D5213	8-719-914-43	DIODE DAN202K			
1546		M	DIODE		D5214	8-719-914-43	DIODE DAN202K			
1547		M	FERRITE		FB4802	1-414-445-11	FERRITE 0UH			
1548		M	FERRITE		FB4803	1-414-445-11	FERRITE 0UH			

No.	#	Board	Type	△/*	Ref.No.	Part No.	Descrption	Remarks-1	Remarks-2	Difference
1549		M	FERRITE		FB4804	1-414-445-11	FERRITE 0UH			
1550		M	FERRITE		FB4805	1-414-229-11	FERRITE 0UH			
1551		M	FERRITE		FB4806	1-414-229-11	FERRITE 0UH			
1552		M	FERRITE		FB4807	1-414-229-11	FERRITE 0UH			
1553		M	FERRITE		FB4808	1-414-229-11	FERRITE 0UH			
1554		M	FERRITE		FB4809	1-414-229-11	FERRITE 0UH			
1555		M	FERRITE		FB4810	1-414-229-11	FERRITE 0UH			
1556		M	FERRITE		FB4901	1-414-229-11	FERRITE 0UH			
1557		M	FERRITE		FB5001	1-414-598-11	FERRITE 0UH			
1558		M	FERRITE		FB5002	1-414-598-11	FERRITE 0UH			
1559		M	FERRITE		FB5003	1-414-598-11	FERRITE 0UH			
1560		M	FERRITE		FB5004	1-414-229-11	FERRITE 0UH			
1561		M	FERRITE		FB5005	1-414-229-11	FERRITE 0UH			
1562		M	FERRITE		FB5006	1-414-598-11	FERRITE 0UH			
1563		M	FERRITE		FB5007	1-414-598-11	FERRITE 0UH			
1564		M	FERRITE		FB5008	1-414-598-11	FERRITE 0UH			
1565		M	FERRITE		FB5009	1-216-864-11	SHORT CHIP 0			
1566		M	FERRITE		FB5010	1-216-864-11	SHORT CHIP 0			
1567		M	FERRITE		FB5011	1-216-864-11	SHORT CHIP 0			
1568		M	FERRITE		FB5012	1-414-598-11	FERRITE 0UH			
1569		M	FERRITE		FB5013	1-414-598-11	FERRITE 0UH			
1570		M	FERRITE		FB5200	1-414-234-22	FERRITE 0UH			
1571		M	FERRITE		FB5201	1-414-233-22	FERRITE 0UH			
1572		M	FERRITE		FB5202	1-414-228-11	FERRITE 0UH			
1573		M	FERRITE		FB5203	1-414-228-11	FERRITE 0UH			
1574		M	FERRITE		FB5204	1-239-955-11	ARRAY, FERRITE CHIP			
1575		M	FERRITE		FB5205	1-239-955-11	ARRAY, FERRITE CHIP			
1576		M	FERRITE		FB5207	1-414-228-11	FERRITE 0UH			
1577		M	FERRITE		FB5208	1-414-228-11	FERRITE 0UH			
1578		M	FERRITE		FB5209	1-414-228-11	FERRITE 0UH			
1579		M	FERRITE		FB5210	1-414-228-11	FERRITE 0UH			
1580		M	FERRITE		FB5211	1-239-955-11	ARRAY, FERRITE CHIP			
1581		M	FERRITE		FB5212	1-239-955-11	ARRAY, FERRITE CHIP			
1582		M	FERRITE		FB5213	1-414-228-11	FERRITE 0UH			
1583		M	FERRITE		FB5215	1-414-228-11	FERRITE 0UH			
1584		M	FERRITE		FB5216	1-414-228-11	FERRITE 0UH			
1585		M	FERRITE		FB5217	1-414-228-11	FERRITE 0UH			
1586		M	FERRITE		FB5218	1-414-228-11	FERRITE 0UH			
1587		M	FERRITE		FB5219	1-414-228-11	FERRITE 0UH			
1588		M	FERRITE		FB5220	1-414-228-11	FERRITE 0UH			
1589		M	FERRITE		FB5221	1-239-955-11	ARRAY, FERRITE CHIP			
1590		M	FERRITE		FB5222	1-239-955-11	ARRAY, FERRITE CHIP			
1591		M	FERRITE		FB5223	1-239-955-11	ARRAY, FERRITE CHIP			

No.	#	Board	Type	△/*	Ref.No.	Part No.	Descrption	Remarks-1	Remarks-2	Difference
1592		M	FERRITE		FB5224	1-239-955-11	ARRAY, FERRITE CHIP			
1593		M	FERRITE		FB5225	1-239-955-11	ARRAY, FERRITE CHIP			
1594		M	FERRITE		FB5227	1-239-955-11	ARRAY, FERRITE CHIP			
1595		M	FERRITE		FB5228	1-239-955-11	ARRAY, FERRITE CHIP			
1596		M	FERRITE		FB5229	1-239-955-11	ARRAY, FERRITE CHIP			
1597		M	FERRITE		FB5230	1-414-228-11	FERRITE 0UH			
1598		M	FILTER		FL4801	1-234-494-21	FILTER, EMI REMOVAL (SMD)			
1599		M	FILTER		FL5001	1-234-177-21	FERRITE 0UH			
1600		M	FILTER		FL5002	1-234-177-21	FERRITE 0UH			
1601		M	FILTER		FL5201	1-234-494-21	FILTER, EMI REMOVAL (SMD)			
1602		M	FILTER		FL5202	1-234-494-21	FILTER, EMI REMOVAL (SMD)			
1603		M	FILTER		FL5203	1-234-494-21	FILTER, EMI REMOVAL (SMD)			
1604		M	FILTER		FL5204	1-234-494-21	FILTER, EMI REMOVAL (SMD)			
1605		M	FILTER		FL5205	1-234-494-21	FILTER, EMI REMOVAL (SMD)			
1606		M	IC		IC4803	6-703-364-01	IC TFP510PAP			
1607		M	IC		IC4900	6-701-870-01	IC THC63LVDF84B-T			
1608		M	IC		IC4901	6-702-982-01	IC TC7SA00FU(TE85R)			
1609		M	IC		IC4902	8-759-712-65	IC PQ070XZ01ZP			
1610		M	IC		IC4903	8-759-712-65	IC PQ070XZ01ZP			
1611		M	IC		IC4904	6-703-365-01	IC PST9220NL			
1612		M	IC		IC4905	6-702-973-01	IC CXD9690Q			
1613		M	IC		IC4906	6-702-684-01	IC PST9225NL			
1614		M	IC		IC5001	8-759-641-26	IC NJM2391DL1-33(TE1)			
1615		M	IC		IC5002	8-759-579-68	IC AK4524			
1616		M	IC		IC5003	6-702-979-01	IC AK4114VQ-L			
1617		M	IC		IC5004	8-759-100-96	IC UPC4558G2			
1618		M	IC		IC5006	8-759-542-87	IC S-80827ANUP-EDQ-T2			
1619		M	IC		IC5100	6-700-150-01	IC M24C04-WMN6T(A)			
1620		M	IC		IC5101	8-759-675-46	IC SN65LVDS1050PWR			
1621		M	IC		IC5102	6-700-596-01	IC TC74LVX4053FT(EL)			
1622		M	IC		IC5103	8-759-058-54	IC TC7S00FU(TE85R)			
1623		M	IC		IC5105	8-759-598-39	IC TC75W58FK(TE85R)			
1624		M	IC		IC5106	8-759-570-08	IC TC7SET32FU(TE85R)			
1625		M	IC		IC5107	6-700-596-01	IC TC74LVX4053FT(EL)			
1626		M	IC		IC5108	8-759-688-12	IC TC74VHCT125AFT(EL)			
1627		M	IC		IC5200	6-702-983-01	IC TC74LCX273FT(EL)			
1628		M	IC		IC5201	8-759-683-99	IC BA8274F-E2			
1629		M	IC		IC5202	6-700-596-01	IC TC74LVX4053FT(EL)			
1630		M	IC		IC5204	8-759-592-43	IC TC7SZ02FU(TE85R)			
1631		M	IC		IC5205	8-759-475-39	IC TC74LCX74FT(EL)			
1632		M	IC		IC5206	8-759-596-29	IC SN74LV4066APWR			
1633		M	IC		IC5207	6-801-402-01	IC BD4729GTR			
1634		M	IC		IC5208	6-702-688-01	IC M24C64-WMN6T(B)			

No.	#	Board	Type	△/*	Ref.No.	Part No.	Description	Remarks-1	Remarks-2	Difference
1635		M	IC		IC5209	8-759-641-26	IC NJM2391DL1-33(TE1)			
1636		M	IC		IC5210	6-802-894-01	IC M306V3FGFP-522			
1637		M	IC		IC5211	8-759-544-01	IC S-80828ANNP-EDR-T2			
1638		M	COIL		L4900	1-412-029-11	INDUCTOR 10UH			
1639		M	COIL		L4901	1-412-029-11	INDUCTOR 10UH			
1640		M	COIL		L4902	1-412-029-11	INDUCTOR 10UH			
1641		M	COIL		L4903	1-412-030-11	INDUCTOR 22UH			
1642		M	COIL		L4904	1-412-029-11	INDUCTOR 10UH			
1643		M	COIL		L4905	1-412-029-11	INDUCTOR 10UH			
1644		M	COIL		L4906	1-412-029-11	INDUCTOR 10UH			
1645		M	COIL		L4907	1-412-029-11	INDUCTOR 10UH			
1646		M	COIL		L4908	1-412-029-11	INDUCTOR 10UH			
1647		M	COIL		L4909	1-412-029-11	INDUCTOR 10UH			
1648		M	COIL		L4910	1-412-029-11	INDUCTOR 10UH			
1649		M	COIL		L4911	1-412-030-11	INDUCTOR 22UH			
1650		M	COIL		L5001	1-412-029-11	INDUCTOR 10UH			
1651		M	COIL		L5003	1-412-029-11	INDUCTOR 10UH			
1652		M	COIL		L5004	1-412-029-11	INDUCTOR 10UH			
1653		M	COIL		L5100	1-419-370-21	INDUCTOR 0UH			
1654		M	COIL		L5101	1-419-370-21	INDUCTOR 0UH			
1655		M	COIL		L5102	1-419-370-21	INDUCTOR 0UH			
1656		M	COIL		L5103	1-419-370-21	INDUCTOR 0UH			
1657		M	COIL		L5200	1-412-026-11	INDUCTOR 1UH			
1658		M	COIL		L5201	1-412-029-11	INDUCTOR 10UH			
1659		M	COIL		L5202	1-412-029-11	INDUCTOR 10UH			
1660		M	TRANSISTOR		Q4803	6-550-014-01	TRANSISTOR SSM6N15FU(TE85R)			
1661		M	TRANSISTOR		Q4804	6-550-014-01	TRANSISTOR SSM6N15FU(TE85R)			
1662		M	TRANSISTOR		Q4805	6-550-014-01	TRANSISTOR SSM6N15FU(TE85R)			
1663		M	TRANSISTOR		Q4900	8-729-028-28	TRANSISTOR 2SK2036(TE85L)			
1664		M	TRANSISTOR		Q4901	8-729-028-28	TRANSISTOR 2SK2036(TE85L)			
1665		M	TRANSISTOR		Q5001	8-729-928-90	TRANSISTOR DTC114EE			
1666		M	TRANSISTOR		Q5002	8-729-928-90	TRANSISTOR DTC114EE			
1667		M	TRANSISTOR		Q5003	8-729-928-90	TRANSISTOR DTC114EE			
1668		M	TRANSISTOR		Q5100	8-729-900-53	TRANSISTOR DTC114EK			
1669		M	TRANSISTOR		Q5200	8-729-422-27	TRANSISTOR 2SD601A-Q			
1670		M	TRANSISTOR		Q5203	8-729-422-27	TRANSISTOR 2SD601A-Q			
1671		M	TRANSISTOR		Q5204	8-729-422-27	TRANSISTOR 2SD601A-Q			
1672		M	TRANSISTOR		Q5205	8-729-424-02	TRANSISTOR 2SB709A-QRS-TX			
1673		M	TRANSISTOR		Q5206	8-729-422-27	TRANSISTOR 2SD601A-Q			
1674		M	TRANSISTOR		Q5207	8-729-424-02	TRANSISTOR 2SB709A-QRS-TX			
1675		M	TRANSISTOR		Q5208	8-729-422-27	TRANSISTOR 2SD601A-Q			
1676		M	TRANSISTOR		Q5209	8-729-424-02	TRANSISTOR 2SB709A-QRS-TX			
1677		M	TRANSISTOR		Q5210	8-759-027-61	TRANSISTOR DTC144VKA-T146			

No.	#	Board	Type	△/*	Ref.No.	Part No.	Description	Remarks-1	Remarks-2	Difference
1678		M	TRANSISTOR		Q5211	8-729-422-27	TRANSISTOR 2SD601A-Q			
1679		M	TRANSISTOR		Q5212	8-729-422-27	TRANSISTOR 2SD601A-Q			
1680		M	TRANSISTOR		Q5213	8-729-901-47	TRANSISTOR DTA143EK			
1681		M	TRANSISTOR		Q5214	8-729-422-27	TRANSISTOR 2SD601A-Q			
1682		M	TRANSISTOR		Q5215	8-729-422-27	TRANSISTOR 2SD601A-Q			
1683		M	TRANSISTOR		Q5216	8-759-027-61	TRANSISTOR DTC144VKA-T146			
1684		M	TRANSISTOR		Q5217	8-729-027-56	TRANSISTOR DTC143TKA-T146			
1685		M	TRANSISTOR		Q5218	8-729-424-02	TRANSISTOR 2SB709A-QRS-TX			
1686		M	TRANSISTOR		Q5219	8-729-422-27	TRANSISTOR 2SD601A-Q			
1687		M	TRANSISTOR		Q5220	8-729-422-27	TRANSISTOR 2SD601A-Q			
1688		M	TRANSISTOR		Q5221	8-729-422-27	TRANSISTOR 2SD601A-Q			
1689		M	TRANSISTOR		Q5222	8-729-422-27	TRANSISTOR 2SD601A-Q			
1690		M	TRANSISTOR		Q5223	8-729-422-27	TRANSISTOR 2SD601A-Q			
1691		M	TRANSISTOR		Q5224	8-729-424-02	TRANSISTOR 2SB709A-QRS-TX			
1692		M	TRANSISTOR		Q5225	8-729-422-27	TRANSISTOR 2SD601A-Q			
1693		M	TRANSISTOR		Q5251	8-729-028-28	TRANSISTOR 2SK2036(TE85L)			
1694		M	RESISTOR		R4811	1-216-829-11	METAL CHIP 4.7K 5% 1/10W			
1695		M	RESISTOR		R4812	1-216-829-11	METAL CHIP 4.7K 5% 1/10W			
1696		M	RESISTOR		R4813	1-216-829-11	METAL CHIP 4.7K 5% 1/10W			
1697		M	RESISTOR		R4814	1-218-840-11	METAL CHIP 510 0.5% 1/10W			
1698		M	RESISTOR		R4815	1-216-829-11	METAL CHIP 4.7K 5% 1/10W			
1699		M	RESISTOR		R4816	1-216-829-11	METAL CHIP 4.7K 5% 1/10W			
1700		M	RESISTOR		R4817	1-216-845-11	METAL CHIP 100K 5% 1/10W			
1701		M	RESISTOR		R4818	1-216-821-11	METAL CHIP 1K 5% 1/10W			
1702		M	RESISTOR		R4819	1-216-864-11	SHORT CHIP 0			
1703		M	RESISTOR		R4820	1-216-033-00	RES-CHIP 220 5% 1/10W			
1704		M	RESISTOR		R4821	1-216-845-11	METAL CHIP 100K 5% 1/10W			
1705		M	RESISTOR		R4822	1-216-864-11	SHORT CHIP 0			
1706		M	RESISTOR		R4823	1-216-864-11	SHORT CHIP 0			
1707		M	RESISTOR		R4824	1-216-033-00	RES-CHIP 220 5% 1/10W			
1708		M	RESISTOR		R4900	1-216-809-11	METAL CHIP 100 5% 1/10W			
1709		M	RESISTOR		R4901	1-216-809-11	METAL CHIP 100 5% 1/10W			
1710		M	RESISTOR		R4902	1-216-809-11	METAL CHIP 100 5% 1/10W			
1711		M	RESISTOR		R4903	1-216-809-11	METAL CHIP 100 5% 1/10W			
1712		M	RESISTOR		R4904	1-216-809-11	METAL CHIP 100 5% 1/10W			
1713		M	RESISTOR		R4907	1-216-864-11	SHORT CHIP 0			
1714		M	RESISTOR		R4908	1-216-864-11	SHORT CHIP 0			
1715		M	RESISTOR		R4909	1-216-833-11	METAL CHIP 10K 5% 1/10W			
1716		M	RESISTOR		R4910	1-216-833-11	METAL CHIP 10K 5% 1/10W			
1717		M	RESISTOR		R4911	1-216-821-11	METAL CHIP 1K 5% 1/10W			
1718		M	RESISTOR		R4912	1-216-825-11	METAL CHIP 2.2K 5% 1/10W			
1719		M	RESISTOR		R4913	1-216-821-11	METAL CHIP 1K 5% 1/10W			
1720		M	RESISTOR		R4914	1-216-821-11	METAL CHIP 1K 5% 1/10W			



No.	#	Board	Type	△/*	Ref.No.	Part No.	Descrption	Remarks-1	Remarks-2	Difference
1721		M	RESISTOR		R4916	1-218-867-11	METAL CHIP 6.8K 0.5% 1/10W			
1722		M	RESISTOR		R4919	1-216-809-11	METAL CHIP 100 5% 1/10W			
1723		M	RESISTOR		R4920	1-216-809-11	METAL CHIP 100 5% 1/10W			
1724		M	RESISTOR		R4921	1-216-805-11	METAL CHIP 47 5% 1/10W			
1725		M	RESISTOR		R4922	1-216-801-11	METAL CHIP 22 5% 1/10W			
1726		M	RESISTOR		R4923	1-216-801-11	METAL CHIP 22 5% 1/10W			
1727		M	RESISTOR		R4926	1-216-829-11	METAL CHIP 4.7K 5% 1/10W			
1728		M	RESISTOR		R4927	1-216-864-11	SHORT CHIP 0			
1729		M	RESISTOR		R4928	1-216-864-11	SHORT CHIP 0			
1730		M	RESISTOR		R4929	1-216-864-11	SHORT CHIP 0			
1731		M	RESISTOR		R4930	1-216-864-11	SHORT CHIP 0			
1732		M	RESISTOR		R4931	1-216-864-11	SHORT CHIP 0			
1733		M	RESISTOR		R4932	1-216-864-11	SHORT CHIP 0			
1734		M	RESISTOR		R4933	1-216-864-11	SHORT CHIP 0			
1735		M	RESISTOR		R4934	1-216-864-11	SHORT CHIP 0			
1736		M	RESISTOR		R4935	1-216-864-11	SHORT CHIP 0			
1737		M	RESISTOR		R4936	1-216-864-11	SHORT CHIP 0			
1738		M	RESISTOR		R4937	1-216-864-11	SHORT CHIP 0			
1739		M	RESISTOR		R4938	1-216-864-11	SHORT CHIP 0			
1740		M	RESISTOR		R4939	1-216-833-11	METAL CHIP 10K 5% 1/10W			
1741		M	RESISTOR		R4940	1-216-864-11	SHORT CHIP 0			
1742		M	RESISTOR		R4941	1-216-864-11	SHORT CHIP 0			
1743		M	RESISTOR		R4942	1-216-801-11	METAL CHIP 22 5% 1/10W			
1744		M	RESISTOR		R4943	1-216-821-11	METAL CHIP 1K 5% 1/10W			
1745		M	RESISTOR		R4945	1-216-864-11	SHORT CHIP 0			
1746		M	RESISTOR		R4946	1-216-809-11	METAL CHIP 100 5% 1/10W			
1747		M	RESISTOR		R4947	1-216-809-11	METAL CHIP 100 5% 1/10W			
1748		M	RESISTOR		R4948	1-216-805-11	METAL CHIP 47 5% 1/10W			
1749		M	RESISTOR		R4949	1-216-805-11	METAL CHIP 47 5% 1/10W			
1750		M	RESISTOR		R4950	1-216-805-11	METAL CHIP 47 5% 1/10W			
1751		M	RESISTOR		R4951	1-216-805-11	METAL CHIP 47 5% 1/10W			
1752		M	RESISTOR		R4952	1-216-805-11	METAL CHIP 47 5% 1/10W			
1753		M	RESISTOR		R4953	1-216-805-11	METAL CHIP 47 5% 1/10W			
1754		M	RESISTOR		R4954	1-216-805-11	METAL CHIP 47 5% 1/10W			
1755		M	RESISTOR		R4955	1-216-805-11	METAL CHIP 47 5% 1/10W			
1756		M	RESISTOR		R4956	1-216-809-11	METAL CHIP 100 5% 1/10W			
1757		M	RESISTOR		R4957	1-216-821-11	METAL CHIP 1K 5% 1/10W			
1758		M	RESISTOR		R4958	1-216-821-11	METAL CHIP 1K 5% 1/10W			
1759		M	RESISTOR		R4959	1-216-833-11	METAL CHIP 10K 5% 1/10W			
1760		M	RESISTOR		R5001	1-216-809-11	METAL CHIP 100 5% 1/10W			
1761		M	RESISTOR		R5002	1-216-809-11	METAL CHIP 100 5% 1/10W			
1762		M	RESISTOR		R5003	1-216-821-11	METAL CHIP 1K 5% 1/10W			
1763		M	RESISTOR		R5004	1-218-272-11	METAL CHIP 5.1K 5% 1/10W			

No.	#	Board	Type	△/*	Ref.No.	Part No.	Description	Remarks-1	Remarks-2	Difference
1764		M	RESISTOR		R5006	1-216-834-11	METAL CHIP 12K 5% 1/10W			
1765		M	RESISTOR		R5007	1-216-833-11	METAL CHIP 10K 5% 1/10W			
1766		M	RESISTOR		R5008	1-216-834-11	METAL CHIP 12K 5% 1/10W			
1767		M	RESISTOR		R5009	1-216-833-11	METAL CHIP 10K 5% 1/10W			
1768		M	RESISTOR		R5010	1-216-834-11	METAL CHIP 12K 5% 1/10W			
1769		M	RESISTOR		R5011	1-216-833-11	METAL CHIP 10K 5% 1/10W			
1770		M	RESISTOR		R5012	1-216-809-11	METAL CHIP 100 5% 1/10W			
1771		M	RESISTOR		R5013	1-216-809-11	METAL CHIP 100 5% 1/10W			
1772		M	RESISTOR		R5014	1-216-833-11	METAL CHIP 10K 5% 1/10W			
1773		M	RESISTOR		R5015	1-216-827-11	METAL CHIP 3.3K 5% 1/10W			
1774		M	RESISTOR		R5016	1-216-829-11	METAL CHIP 4.7K 5% 1/10W			
1775		M	RESISTOR		R5017	1-216-809-11	METAL CHIP 100 5% 1/10W			
1776		M	RESISTOR		R5018	1-216-809-11	METAL CHIP 100 5% 1/10W			
1777		M	RESISTOR		R5019	1-216-793-11	METAL CHIP 4.7 5% 1/10W			
1778		M	RESISTOR		R5020	1-216-809-11	METAL CHIP 100 5% 1/10W			
1779		M	RESISTOR		R5021	1-216-801-11	METAL CHIP 22 5% 1/10W			
1780		M	RESISTOR		R5022	1-216-809-11	METAL CHIP 100 5% 1/10W			
1781		M	RESISTOR		R5023	1-216-864-11	SHORT CHIP 0			
1782		M	RESISTOR		R5024	1-216-836-11	METAL CHIP 18K 5% 1/10W			
1783		M	RESISTOR		R5025	1-216-809-11	METAL CHIP 100 5% 1/10W			
1784		M	RESISTOR		R5026	1-216-809-11	METAL CHIP 100 5% 1/10W			
1785		M	RESISTOR		R5027	1-216-809-11	METAL CHIP 100 5% 1/10W			
1786		M	RESISTOR		R5028	1-216-797-11	METAL CHIP 10 5% 1/10W			
1787		M	RESISTOR		R5029	1-216-821-11	METAL CHIP 1K 5% 1/10W			
1788		M	RESISTOR		R5030	1-216-864-11	SHORT CHIP 0			
1789		M	RESISTOR		R5032	1-216-797-11	METAL CHIP 10 5% 1/10W			
1790		M	RESISTOR		R5033	1-216-821-11	METAL CHIP 1K 5% 1/10W			
1791		M	RESISTOR		R5034	1-216-797-11	METAL CHIP 10 5% 1/10W			
1792		M	RESISTOR		R5035	1-216-821-11	METAL CHIP 1K 5% 1/10W			
1793		M	RESISTOR		R5037	1-216-797-11	METAL CHIP 10 5% 1/10W			
1794		M	RESISTOR		R5038	1-216-809-11	METAL CHIP 100 5% 1/10W			
1795		M	RESISTOR		R5039	1-216-828-11	METAL CHIP 3.9K 5% 1/10W			
1796		M	RESISTOR		R5040	1-216-829-11	METAL CHIP 4.7K 5% 1/10W			
1797		M	RESISTOR		R5041	1-216-834-11	METAL CHIP 12K 5% 1/10W			
1798		M	RESISTOR		R5042	1-216-797-11	METAL CHIP 10 5% 1/10W			
1799		M	RESISTOR		R5044	1-216-797-11	METAL CHIP 10 5% 1/10W			
1800		M	RESISTOR		R5045	1-216-809-11	METAL CHIP 100 5% 1/10W			
1801		M	RESISTOR		R5046	1-216-797-11	METAL CHIP 10 5% 1/10W			
1802		M	RESISTOR		R5047	1-216-845-11	METAL CHIP 100K 5% 1/10W			
1803		M	RESISTOR		R5048	1-216-833-11	METAL CHIP 10K 5% 1/10W			
1804		M	RESISTOR		R5102	1-216-845-11	METAL CHIP 100K 5% 1/10W			
1805		M	RESISTOR		R5105	1-216-845-11	METAL CHIP 100K 5% 1/10W			
1806		M	RESISTOR		R5107	1-216-845-11	METAL CHIP 100K 5% 1/10W			

No.	#	Board	Type	△/*	Ref.No.	Part No.	Description	Remarks-1	Remarks-2	Difference
1807		M	RESISTOR		R5116	1-216-833-11	METAL CHIP 10K 5% 1/10W			
1808		M	RESISTOR		R5117	1-216-833-11	METAL CHIP 10K 5% 1/10W			
1809		M	RESISTOR		R5119	1-216-801-11	METAL CHIP 22 5% 1/10W			
1810		M	RESISTOR		R5120	1-216-801-11	METAL CHIP 22 5% 1/10W			
1811		M	RESISTOR		R5121	1-216-801-11	METAL CHIP 22 5% 1/10W			
1812		M	RESISTOR		R5122	1-216-801-11	METAL CHIP 22 5% 1/10W			
1813		M	RESISTOR		R5126	1-216-821-11	METAL CHIP 1K 5% 1/10W			
1814		M	RESISTOR		R5127	1-216-847-11	METAL CHIP 150K 5% 1/10W			
1815		M	RESISTOR		R5128	1-216-853-11	METAL CHIP 470K 5% 1/10W			
1816		M	RESISTOR		R5129	1-216-847-11	METAL CHIP 150K 5% 1/10W			
1817		M	RESISTOR		R5130	1-216-853-11	METAL CHIP 470K 5% 1/10W			
1818		M	RESISTOR		R5132	1-216-821-11	METAL CHIP 1K 5% 1/10W			
1819		M	RESISTOR		R5133	1-216-821-11	METAL CHIP 1K 5% 1/10W			
1820		M	RESISTOR		R5134	1-216-829-11	METAL CHIP 4.7K 5% 1/10W			
1821		M	RESISTOR		R5144	1-216-833-11	METAL CHIP 10K 5% 1/10W			
1822		M	RESISTOR		R5151	1-216-809-11	METAL CHIP 100 5% 1/10W			
1823		M	RESISTOR		R5152	1-216-809-11	METAL CHIP 100 5% 1/10W			
1824		M	RESISTOR		R5153	1-216-864-11	SHORT CHIP 0			
1825		M	RESISTOR		R5154	1-216-864-11	SHORT CHIP 0			
1826		M	RESISTOR		R5156	1-216-864-11	SHORT CHIP 0			
1827		M	RESISTOR		R5157	1-216-864-11	SHORT CHIP 0			
1828		M	RESISTOR		R5159	1-216-821-11	METAL CHIP 1K 5% 1/10W			
1829		M	RESISTOR		R5160	1-216-821-11	METAL CHIP 1K 5% 1/10W			
1830		M	RESISTOR		R5161	1-216-821-11	METAL CHIP 1K 5% 1/10W			
1831		M	RESISTOR		R5162	1-216-833-11	METAL CHIP 10K 5% 1/10W			
1832		M	RESISTOR		R5163	1-216-833-11	METAL CHIP 10K 5% 1/10W			
1833		M	RESISTOR		R5164	1-216-833-11	METAL CHIP 10K 5% 1/10W			
1834		M	RESISTOR		R5165	1-216-821-11	METAL CHIP 1K 5% 1/10W			
1835		M	RESISTOR		R5166	1-216-833-11	METAL CHIP 10K 5% 1/10W			
1836		M	RESISTOR		R5167	1-216-833-11	METAL CHIP 10K 5% 1/10W			
1837		M	RESISTOR		R5168	1-216-857-11	METAL CHIP 1M 5% 1/10W			
1838		M	RESISTOR		R5169	1-216-829-11	METAL CHIP 4.7K 5% 1/10W			
1839		M	RESISTOR		R5200	1-216-801-11	METAL CHIP 22 5% 1/10W			
1840		M	RESISTOR		R5201	1-216-801-11	METAL CHIP 22 5% 1/10W			
1841		M	RESISTOR		R5202	1-216-801-11	METAL CHIP 22 5% 1/10W			
1842		M	RESISTOR		R5203	1-216-801-11	METAL CHIP 22 5% 1/10W			
1843		M	RESISTOR		R5204	1-216-821-11	METAL CHIP 1K 5% 1/10W			
1844		M	RESISTOR		R5205	1-216-821-11	METAL CHIP 1K 5% 1/10W			
1845		M	RESISTOR		R5210	1-216-841-11	METAL CHIP 47K 5% 1/10W			
1846		M	RESISTOR		R5215	1-216-801-11	METAL CHIP 22 5% 1/10W			
1847		M	RESISTOR		R5219	1-216-801-11	METAL CHIP 22 5% 1/10W			
1848		M	RESISTOR		R5220	1-216-801-11	METAL CHIP 22 5% 1/10W			
1849		M	RESISTOR		R5222	1-216-801-11	METAL CHIP 22 5% 1/10W			

No.	#	Board	Type	△/*	Ref.No.	Part No.	Descrption	Remarks-1	Remarks-2	Difference
1850		M	RESISTOR		R5223	1-216-801-11	METAL CHIP 22 5% 1/10W			
1851		M	RESISTOR		R5230	1-216-801-11	METAL CHIP 22 5% 1/10W			
1852		M	RESISTOR		R5232	1-216-801-11	METAL CHIP 22 5% 1/10W			
1853		M	RESISTOR		R5233	1-216-801-11	METAL CHIP 22 5% 1/10W			
1854		M	RESISTOR		R5234	1-216-864-11	SHORT CHIP 0			
1855		M	RESISTOR		R5235	1-216-864-11	SHORT CHIP 0			
1856		M	RESISTOR		R5243	1-216-833-11	METAL CHIP 10K 5% 1/10W			
1857		M	RESISTOR		R5252	1-216-841-11	METAL CHIP 47K 5% 1/10W			
1858		M	RESISTOR		R5253	1-216-809-11	METAL CHIP 100 5% 1/10W			
1859		M	RESISTOR		R5254	1-216-853-11	METAL CHIP 470K 5% 1/10W			
1860		M	RESISTOR		R5255	1-216-801-11	METAL CHIP 22 5% 1/10W			
1861		M	RESISTOR		R5256	1-216-825-11	METAL CHIP 2.2K 5% 1/10W			
1862		M	RESISTOR		R5262	1-216-864-11	SHORT CHIP 0			
1863		M	RESISTOR		R5263	1-216-853-11	METAL CHIP 470K 5% 1/10W			
1864		M	RESISTOR		R5264	1-216-845-11	METAL CHIP 100K 5% 1/10W			
1865		M	RESISTOR		R5265	1-216-841-11	METAL CHIP 47K 5% 1/10W			
1866		M	RESISTOR		R5266	1-216-801-11	METAL CHIP 22 5% 1/10W			
1867		M	RESISTOR		R5267	1-216-825-11	METAL CHIP 2.2K 5% 1/10W			
1868		M	RESISTOR		R5270	1-216-833-11	METAL CHIP 10K 5% 1/10W			
1869		M	RESISTOR		R5272	1-216-864-11	SHORT CHIP 0			
1870		M	RESISTOR		R5273	1-216-841-11	METAL CHIP 47K 5% 1/10W			
1871		M	RESISTOR		R5274	1-216-833-11	METAL CHIP 10K 5% 1/10W			
1872		M	RESISTOR		R5275	1-216-825-11	METAL CHIP 2.2K 5% 1/10W			
1873		M	RESISTOR		R5276	1-216-825-11	METAL CHIP 2.2K 5% 1/10W			
1874		M	RESISTOR		R5280	1-216-805-11	METAL CHIP 47 5% 1/10W			
1875		M	RESISTOR		R5282	1-216-817-11	METAL CHIP 470 5% 1/10W			
1876		M	RESISTOR		R5283	1-216-809-11	METAL CHIP 100 5% 1/10W			
1877		M	RESISTOR		R5284	1-216-805-11	METAL CHIP 47 5% 1/10W			
1878		M	RESISTOR		R5286	1-216-805-11	METAL CHIP 47 5% 1/10W			
1879		M	RESISTOR		R5290	1-216-817-11	METAL CHIP 470 5% 1/10W			
1880		M	RESISTOR		R5293	1-216-801-11	METAL CHIP 22 5% 1/10W			
1881		M	RESISTOR		R5294	1-216-805-11	METAL CHIP 47 5% 1/10W			
1882		M	RESISTOR		R5295	1-216-805-11	METAL CHIP 47 5% 1/10W			
1883		M	RESISTOR		R5296	1-216-805-11	METAL CHIP 47 5% 1/10W			
1884		M	RESISTOR		R5297	1-216-809-11	METAL CHIP 100 5% 1/10W			
1885		M	RESISTOR		R5298	1-216-805-11	METAL CHIP 47 5% 1/10W			
1886		M	RESISTOR		R5299	1-216-805-11	METAL CHIP 47 5% 1/10W			
1887		M	RESISTOR		R5300	1-216-809-11	METAL CHIP 100 5% 1/10W			
1888		M	RESISTOR		R5301	1-216-809-11	METAL CHIP 100 5% 1/10W			
1889		M	RESISTOR		R5302	1-216-841-11	METAL CHIP 47K 5% 1/10W			
1890		M	RESISTOR		R5303	1-216-864-11	SHORT CHIP 0			
1891		M	RESISTOR		R5305	1-216-805-11	METAL CHIP 47 5% 1/10W			
1892		M	RESISTOR		R5306	1-216-805-11	METAL CHIP 47 5% 1/10W			

No.	#	Board	Type	△/*	Ref.No.	Part No.	Description	Remarks-1	Remarks-2	Difference
1893		M	RESISTOR		R5307	1-216-801-11	METAL CHIP 22 5% 1/10W			
1894		M	RESISTOR		R5308	1-216-801-11	METAL CHIP 22 5% 1/10W			
1895		M	RESISTOR		R5309	1-216-809-11	METAL CHIP 100 5% 1/10W			
1896		M	RESISTOR		R5310	1-216-809-11	METAL CHIP 100 5% 1/10W			
1897		M	RESISTOR		R5311	1-216-809-11	METAL CHIP 100 5% 1/10W			
1898		M	RESISTOR		R5312	1-216-833-11	METAL CHIP 10K 5% 1/10W			
1899		M	RESISTOR		R5313	1-216-835-11	METAL CHIP 15K 5% 1/10W			
1900		M	RESISTOR		R5314	1-216-833-11	METAL CHIP 10K 5% 1/10W			
1901		M	RESISTOR		R5315	1-216-801-11	METAL CHIP 22 5% 1/10W			
1902		M	RESISTOR		R5316	1-216-809-11	METAL CHIP 100 5% 1/10W			
1903		M	RESISTOR		R5317	1-216-841-11	METAL CHIP 47K 5% 1/10W			
1904		M	RESISTOR		R5318	1-216-833-11	METAL CHIP 10K 5% 1/10W			
1905		M	RESISTOR		R5319	1-216-805-11	METAL CHIP 47 5% 1/10W			
1906		M	RESISTOR		R5320	1-216-821-11	METAL CHIP 1K 5% 1/10W			
1907		M	RESISTOR		R5321	1-216-805-11	METAL CHIP 47 5% 1/10W			
1908		M	RESISTOR		R5322	1-216-805-11	METAL CHIP 47 5% 1/10W			
1909		M	RESISTOR		R5323	1-216-833-11	METAL CHIP 10K 5% 1/10W			
1910		M	RESISTOR		R5325	1-216-833-11	METAL CHIP 10K 5% 1/10W			
1911		M	RESISTOR		R5326	1-216-841-11	METAL CHIP 47K 5% 1/10W			
1912		M	RESISTOR		R5327	1-216-809-11	METAL CHIP 100 5% 1/10W			
1913		M	RESISTOR		R5329	1-216-809-11	METAL CHIP 100 5% 1/10W			
1914		M	RESISTOR		R5330	1-216-829-11	METAL CHIP 4.7K 5% 1/10W			
1915		M	RESISTOR		R5331	1-216-809-11	METAL CHIP 100 5% 1/10W			
1916		M	RESISTOR		R5332	1-216-805-11	METAL CHIP 47 5% 1/10W			
1917		M	RESISTOR		R5333	1-216-821-11	METAL CHIP 1K 5% 1/10W			
1918		M	RESISTOR		R5334	1-216-821-11	METAL CHIP 1K 5% 1/10W			
1919		M	RESISTOR		R5335	1-216-864-11	SHORT CHIP 0			
1920		M	RESISTOR		R5336	1-216-833-11	METAL CHIP 10K 5% 1/10W			
1921		M	RESISTOR		R5337	1-216-821-11	METAL CHIP 1K 5% 1/10W			
1922		M	RESISTOR		R5338	1-216-821-11	METAL CHIP 1K 5% 1/10W			
1923		M	RESISTOR		R5339	1-216-805-11	METAL CHIP 47 5% 1/10W			
1924		M	RESISTOR		R5340	1-216-821-11	METAL CHIP 1K 5% 1/10W			
1925		M	RESISTOR		R5341	1-216-805-11	METAL CHIP 47 5% 1/10W			
1926		M	RESISTOR		R5342	1-216-821-11	METAL CHIP 1K 5% 1/10W			
1927		M	RESISTOR		R5343	1-216-805-11	METAL CHIP 47 5% 1/10W			
1928		M	RESISTOR		R5344	1-216-833-11	METAL CHIP 10K 5% 1/10W			
1929		M	RESISTOR		R5345	1-216-821-11	METAL CHIP 1K 5% 1/10W			
1930		M	RESISTOR		R5346	1-216-837-11	METAL CHIP 22K 5% 1/10W			
1931		M	RESISTOR		R5347	1-216-821-11	METAL CHIP 1K 5% 1/10W			
1932		M	RESISTOR		R5348	1-216-833-11	METAL CHIP 10K 5% 1/10W			
1933		M	RESISTOR		R5349	1-216-821-11	METAL CHIP 1K 5% 1/10W			
1934		M	RESISTOR		R5350	1-216-833-11	METAL CHIP 10K 5% 1/10W			
1935		M	RESISTOR		R5352	1-216-864-11	SHORT CHIP 0			

No.	#	Board	Type	△/*	Ref.No.	Part No.	Description	Remarks-1	Remarks-2	Difference
1936		M	RESISTOR		R5353	1-216-821-11	METAL CHIP 1K 5% 1/10W			
1937		M	RESISTOR		R5354	1-216-821-11	METAL CHIP 1K 5% 1/10W			
1938		M	RESISTOR		R5355	1-216-821-11	METAL CHIP 1K 5% 1/10W			
1939		M	RESISTOR		R5356	1-216-821-11	METAL CHIP 1K 5% 1/10W			
1940		M	RESISTOR		R5357	1-216-833-11	METAL CHIP 10K 5% 1/10W			
1941		M	RESISTOR		R5359	1-216-845-11	METAL CHIP 100K 5% 1/10W			
1942		M	RESISTOR		R5361	1-216-833-11	METAL CHIP 10K 5% 1/10W			
1943		M	RESISTOR		R5362	1-216-821-11	METAL CHIP 1K 5% 1/10W			
1944		M	RESISTOR		R5363	1-216-849-11	METAL CHIP 220K 5% 1/10W			
1945		M	RESISTOR		R5364	1-216-833-11	METAL CHIP 10K 5% 1/10W			
1946		M	RESISTOR		R5365	1-216-833-11	METAL CHIP 10K 5% 1/10W			
1947		M	RESISTOR		R5366	1-216-833-11	METAL CHIP 10K 5% 1/10W			
1948		M	RESISTOR		R5367	1-216-833-11	METAL CHIP 10K 5% 1/10W			
1949		M	RESISTOR		R5368	1-216-833-11	METAL CHIP 10K 5% 1/10W			
1950		M	RESISTOR		R5369	1-216-809-11	METAL CHIP 100 5% 1/10W			
1951		M	RESISTOR		R5370	1-216-821-11	METAL CHIP 1K 5% 1/10W			
1952		M	RESISTOR		R5371	1-216-821-11	METAL CHIP 1K 5% 1/10W			
1953		M	RESISTOR		R5372	1-216-821-11	METAL CHIP 1K 5% 1/10W			
1954		M	RESISTOR		R5373	1-216-821-11	METAL CHIP 1K 5% 1/10W			
1955		M	RESISTOR		R5374	1-216-809-11	METAL CHIP 100 5% 1/10W			
1956		M	RESISTOR		R5375	1-216-809-11	METAL CHIP 100 5% 1/10W			
1957		M	RESISTOR		R5376	1-216-809-11	METAL CHIP 100 5% 1/10W			
1958		M	RESISTOR		R5377	1-216-809-11	METAL CHIP 100 5% 1/10W			
1959		M	RESISTOR		R5378	1-216-845-11	METAL CHIP 100K 5% 1/10W			
1960		M	RESISTOR		R5379	1-216-835-11	METAL CHIP 15K 5% 1/10W			
1961		M	RESISTOR		R5380	1-216-835-11	METAL CHIP 15K 5% 1/10W			
1962		M	RESISTOR		R5381	1-216-833-11	METAL CHIP 10K 5% 1/10W			
1963		M	RESISTOR		R5382	1-216-837-11	METAL CHIP 22K 5% 1/10W			
1964		M	RESISTOR		R5383	1-216-833-11	METAL CHIP 10K 5% 1/10W			
1965		M	RESISTOR		R5384	1-216-837-11	METAL CHIP 22K 5% 1/10W			
1966		M	RESISTOR		R5385	1-216-837-11	METAL CHIP 22K 5% 1/10W			
1967		M	RESISTOR		R5386	1-216-833-11	METAL CHIP 10K 5% 1/10W			
1968		M	RESISTOR		R5387	1-216-841-11	METAL CHIP 47K 5% 1/10W			
1969		M	RESISTOR		R5388	1-216-833-11	METAL CHIP 10K 5% 1/10W			
1970		M	RESISTOR		R5389	1-216-835-11	METAL CHIP 15K 5% 1/10W			
1971		M	RESISTOR		R5390	1-216-809-11	METAL CHIP 100 5% 1/10W			
1972		M	RESISTOR		R5391	1-216-817-11	METAL CHIP 470 5% 1/10W			
1973		M	RESISTOR		R5392	1-216-817-11	METAL CHIP 470 5% 1/10W			
1974		M	RESISTOR		R5393	1-216-864-11	SHORT CHIP 0			
1975		M	RESISTOR		R5394	1-216-864-11	SHORT CHIP 0			
1976		M	RESISTOR		R5395	1-216-841-11	METAL CHIP 47K 5% 1/10W			
1977		M	RESISTOR		R5396	1-216-841-11	METAL CHIP 47K 5% 1/10W			
1978		M	RESISTOR		R5397	1-216-825-11	METAL CHIP 2.2K 5% 1/10W			

No.	#	Board	Type	△/*	Ref.No.	Part No.	Description	Remarks-1	Remarks-2	Difference
1979		M	RESISTOR		R5398	1-216-833-11	METAL CHIP 10K 5% 1/10W			
1980		M	RESISTOR		R5399	1-216-864-11	SHORT CHIP 0			
1981		M	RESISTOR		R5400	1-216-864-11	SHORT CHIP 0			
1982		M	RESISTOR		R5401	1-216-864-11	SHORT CHIP 0			
1983		M	RESISTOR		R5402	1-216-864-11	SHORT CHIP 0			
1984		M	RESISTOR		R5403	1-216-864-11	SHORT CHIP 0			
1985		M	RESISTOR		R5404	1-216-864-11	SHORT CHIP 0			
1986		M	RESISTOR		R5405	1-216-864-11	SHORT CHIP 0			
1987		M	RESISTOR		R5406	1-216-864-11	SHORT CHIP 0			
1988		M	RESISTOR		R5407	1-216-864-11	SHORT CHIP 0			
1989		M	RESISTOR		R5408	1-216-864-11	SHORT CHIP 0			
1990		M	RESISTOR		R5409	1-216-821-11	METAL CHIP 1K 5% 1/10W			
1991		M	RESISTOR		R5410	1-216-827-11	METAL CHIP 3.3K 5% 1/10W			
1992		M	RESISTOR		R5411	1-216-821-11	METAL CHIP 1K 5% 1/10W			
1993		M	RESISTOR		R5412	1-216-821-11	METAL CHIP 1K 5% 1/10W			
1994		M	RESISTOR		R5413	1-216-821-11	METAL CHIP 1K 5% 1/10W			
1995		M	RESISTOR		R5414	1-216-833-11	METAL CHIP 10K 5% 1/10W			
1996		M	RESISTOR		R5415	1-216-821-11	METAL CHIP 1K 5% 1/10W			
1997		M	RESISTOR		R5416	1-216-833-11	METAL CHIP 10K 5% 1/10W			
1998		M	RESISTOR		R5417	1-216-833-11	METAL CHIP 10K 5% 1/10W			
1999		M	RESISTOR		R5418	1-216-821-11	METAL CHIP 1K 5% 1/10W			
2000		M	RESISTOR		R5419	1-216-821-11	METAL CHIP 1K 5% 1/10W			
2001		M	RESISTOR		R5421	1-216-833-11	METAL CHIP 10K 5% 1/10W			
2002		M	RESISTOR		R5422	1-216-833-11	METAL CHIP 10K 5% 1/10W			
2003		M	RESISTOR		R5427	1-216-839-11	METAL CHIP 33K 5% 1/10W			
2004		M	RESISTOR		R5428	1-216-833-11	METAL CHIP 10K 5% 1/10W			
2005		M	RESISTOR		R5429	1-216-833-11	METAL CHIP 10K 5% 1/10W			
2006		M	RESISTOR		R5430	1-216-837-11	METAL CHIP 22K 5% 1/10W			
2007		M	RESISTOR		R5431	1-216-837-11	METAL CHIP 22K 5% 1/10W			
2008		M	RESISTOR		R5432	1-216-845-11	METAL CHIP 100K 5% 1/10W			
2009		M	RESISTOR		R5433	1-216-841-11	METAL CHIP 47K 5% 1/10W			
2010		M	RESISTOR		R5434	1-216-841-11	METAL CHIP 47K 5% 1/10W			
2011		M	RESISTOR		R5435	1-216-833-11	METAL CHIP 10K 5% 1/10W			
2012		M	RESISTOR		R5436	1-216-845-11	METAL CHIP 100K 5% 1/10W			
2013		M	RESISTOR		R5437	1-216-833-11	METAL CHIP 10K 5% 1/10W			
2014		M	RESISTOR		R5438	1-216-845-11	METAL CHIP 100K 5% 1/10W			
2015		M	RESISTOR		R5439	1-216-827-11	METAL CHIP 3.3K 5% 1/10W			
2016		M	NETWORK		RB4900	1-234-370-21	RES, NETWORK 22X4 (1005)			
2017		M	NETWORK		RB4901	1-234-370-21	RES, NETWORK 22X4 (1005)			
2018		M	NETWORK		RB4902	1-234-370-21	RES, NETWORK 22X4 (1005)			
2019		M	NETWORK		RB4903	1-234-370-21	RES, NETWORK 22X4 (1005)			
2020		M	NETWORK		RB4904	1-234-370-21	RES, NETWORK 22X4 (1005)			
2021		M	NETWORK		RB4905	1-233-796-11	RES, NETWORK (1608)			

No.	#	Board	Type	△/*	Ref.No.	Part No.	Description	Remarks-1	Remarks-2	Difference
2022		M	NETWORK		RB4906	1-239-711-91	NETWORK RESISTOR (CHIP) 0			
2023		M	NETWORK		RB4907	1-239-711-91	NETWORK RESISTOR (CHIP) 0			
2024		M	NETWORK		RB4908	1-233-796-11	RES, NETWORK (1608)			
2025		M	NETWORK		RB4909	1-234-371-21	RES, NETWORK 47X4 (1005)			
2026		M	NETWORK		RB4910	1-234-371-21	RES, NETWORK 47X4 (1005)			
2027		M	NETWORK		RB4911	1-234-371-21	RES, NETWORK 47X4 (1005)			
2028		M	NETWORK		RB4912	1-234-371-21	RES, NETWORK 47X4 (1005)			
2029		M	NETWORK		RB4913	1-234-371-21	RES, NETWORK 47X4 (1005)			
2030		M	NETWORK		RB4914	1-234-371-21	RES, NETWORK 47X4 (1005)			
2031		M	NETWORK		RB4915	1-234-371-21	RES, NETWORK 47X4 (1005)			
2032		M	TEST POINT		TP4851	1-535-877-22	CHIP, CHECKER			
2033		M	TEST POINT		TP4900	1-535-877-22	CHIP, CHECKER			
2034		M	TEST POINT		TP4901	1-535-877-22	CHIP, CHECKER			
2035		M	TEST POINT		TP4902	1-535-877-22	CHIP, CHECKER			
2036		M	TEST POINT		TP4903	1-535-877-22	CHIP, CHECKER			
2037		M	TEST POINT		TP4904	1-535-877-22	CHIP, CHECKER			
2038		M	TEST POINT		TP4905	1-535-877-22	CHIP, CHECKER			
2039		M	TEST POINT		TP4906	1-535-877-22	CHIP, CHECKER			
2040		M	TEST POINT		TP4907	1-535-877-22	CHIP, CHECKER			
2041		M	TEST POINT		TP4908	1-535-877-22	CHIP, CHECKER			
2042		M	TEST POINT		TP4909	1-535-877-22	CHIP, CHECKER			
2043		M	TEST POINT		TP4911	1-535-877-22	CHIP, CHECKER			
2044		M	TEST POINT		TP4913	1-535-877-22	CHIP, CHECKER			
2045		M	TEST POINT		TP5151	1-535-877-22	CHIP, CHECKER			
2046		M	TEST POINT		TP5200	1-535-877-22	CHIP, CHECKER			
2047		M	TEST POINT		TP5201	1-535-877-22	CHIP, CHECKER			
2048		M	VARISTOR		VD4801	1-805-043-11	ABSORBER, CHIP SURGE			
2049		M	VARISTOR		VD4802	1-805-043-11	ABSORBER, CHIP SURGE			
2050		M	VARISTOR		VD4803	1-805-043-11	ABSORBER, CHIP SURGE			
2051		M	VARISTOR		VD4804	1-805-043-11	ABSORBER, CHIP SURGE			
2052		M	VARISTOR		VD4805	1-805-043-11	ABSORBER, CHIP SURGE			
2053		M	VARISTOR		VD4806	1-805-043-11	ABSORBER, CHIP SURGE			
2054		M	VARISTOR		VD4807	1-805-043-11	ABSORBER, CHIP SURGE			
2055		M	VARISTOR		VD4808	1-805-043-11	ABSORBER, CHIP SURGE			
2056		M	VARISTOR		VD4809	1-805-043-11	ABSORBER, CHIP SURGE			
2057		M	VARISTOR		VD4810	1-805-043-11	ABSORBER, CHIP SURGE			
2058		M	CRYSTAL		X4900	1-795-739-21	CRYSTAL OSCILLATOR (SMD)			
2059		M	CRYSTAL		X5001	1-781-465-21	VIBRATOR, CRYSTAL			
2060		M	CRYSTAL		X5200	1-781-829-21	OSCILLATOR, CRYSTAL (SMD)			
2061		M	CRYSTAL		X5201	1-579-358-21	VIBLATOR, CRYSTAL			
2062		U1	CAPACITOR		C9212	1-107-826-11	CERAMIC CHIP 0.1UF 10.00% 16V			
2063		U1	CAPACITOR		C9221	1-107-826-11	CERAMIC CHIP 0.1UF 10.00% 16V			
2064		U1	CAPACITOR		C9226	1-126-964-11	ELECT 10UF 20.00% 50V			



No.	#	Board	Type	△/*	Ref.No.	Part No.	Description	Remarks-1	Remarks-2	Difference
2065		U1	CAPACITOR		C9401	1-119-824-11	ELECT 10UF 20.00% 50V			
2066		U1	CAPACITOR		C9402	1-119-824-11	ELECT 10UF 20.00% 50V			
2067		U1	CAPACITOR		C9405	1-126-959-11	ELECT 0.47UF 20.00% 50V			
2068		U1	CAPACITOR		C9408	1-126-959-11	ELECT 0.47UF 20.00% 50V			
2069		U1	CAPACITOR		C9409	1-162-970-11	CERAMIC CHIP 0.01UF 10.00% 25V			
2070		U1	CAPACITOR		C9410	1-126-963-11	ELECT 4.7UF 20.00% 50V			
2071		U1	CAPACITOR		C9411	1-119-824-11	ELECT 10UF 20.00% 50V			
2072		U1	CAPACITOR		C9412	1-119-824-11	ELECT 10UF 20.00% 50V			
2073		U1	CAPACITOR		C9414	1-126-963-11	ELECT 4.7UF 20.00% 50V			
2074		U1	CAPACITOR		C9417	1-126-963-11	ELECT 4.7UF 20.00% 50V			
2075		U1	CAPACITOR		C9420	1-119-824-11	ELECT 10UF 20.00% 50V			
2076		U1	CAPACITOR		C9421	1-119-824-11	ELECT 10UF 20.00% 50V			
2077		U1	CAPACITOR		C9423	1-162-970-11	CERAMIC CHIP 0.01UF 10.00% 25V			
2078		U1	CAPACITOR		C9424	1-126-963-11	ELECT 4.7UF 20.00% 50V			
2079		U1	CAPACITOR		C9430	1-119-824-11	ELECT 10UF 20.00% 50V			
2080		U1	CAPACITOR		C9431	1-119-824-11	ELECT 10UF 20.00% 50V			
2081		U1	CONNECTOR		CN9401	1-766-360-21	CONNECTOR, FFC/FPC 30P			
2082		U1	CONNECTOR		CN9402	1-766-358-21	CONNECTOR, FFC/FPC 28P			
2083		U1	CONNECTOR		CN9403	1-774-771-11	CONNECTOR, FFC/FPC 14P			
2084		U1	CONNECTOR	*	CN9404	1-564-519-11	PLUG, CONNECTOR 4P			
2085		U1	DIODE		D9224	8-719-041-97	DIODE MA113-(TX)			
2086		U1	DIODE		D9228	8-719-069-55	DIODE UDZSTE-175.6B			
2087		U1	DIODE		D9419	8-719-977-28	DIODE DTZ10B			
2088		U1	DIODE		D9420	8-719-977-28	DIODE DTZ10B			
2089		U1	DIODE		D9424	8-719-977-28	DIODE DTZ10B			
2090		U1	DIODE		D9427	8-719-977-28	DIODE DTZ10B			
2091		U1	DIODE		D9430	8-719-977-28	DIODE DTZ10B			
2092		U1	DIODE		D9431	8-719-977-28	DIODE DTZ10B			
2093		U1	DIODE		D9432	8-719-977-28	DIODE DTZ10B			
2094		U1	DIODE		D9433	8-719-977-28	DIODE DTZ10B			
2095		U1	DIODE		D9434	8-719-977-28	DIODE DTZ10B			
2096		U1	DIODE		D9435	8-719-977-28	DIODE DTZ10B			
2097		U1	DIODE		D9436	8-719-977-28	DIODE DTZ10B			
2098		U1	DIODE		D9438	8-719-977-28	DIODE DTZ10B			
2099		U1	DIODE		D9446	8-719-977-28	DIODE DTZ10B			
2100		U1	DIODE		D9447	8-719-977-28	DIODE DTZ10B			
2101		U1	SOCKET		J9206	1-764-143-11	JACK			
2102		U1	SOCKET		J9400	1-816-393-11	JACK BLOCK, PIN 3P			
2103		U1	SOCKET		J9401	1-816-393-11	JACK BLOCK, PIN 3P			
2104		U1	SOCKET		J9406	1-817-098-11	PIN JACK BLOCK 3P			
2105		U1	SOCKET		J9409	1-764-416-11	TERMINAL BLOCK, (S)			
2106		U1	SOCKET		J9410	1-764-416-11	TERMINAL BLOCK, (S)			
2107		U1	SOCKET		J9411	1-565-838-11	JACK BLOCK, PIN 2P			

No.	#	Board	Type	△/*	Ref.No.	Part No.	Description	Remarks-1	Remarks-2	Difference
2108		U1	SOCKET		J9412	1-565-838-11	JACK BLOCK, PIN 2P			
2109		U1	CHIP CONDUCTOR		JR9400	1-216-296-11	SHORT CHIP 0			
2110		U1	CHIP CONDUCTOR		JR9401	1-216-296-11	SHORT CHIP 0			
2111		U1	CHIP CONDUCTOR		JR9402	1-216-295-91	SHORT CHIP 0			
2112		U1	CHIP CONDUCTOR		JR9403	1-216-295-91	SHORT CHIP 0			
2113		U1	CHIP CONDUCTOR		JR9404	1-216-296-11	SHORT CHIP 0			
2114		U1	CHIP CONDUCTOR		JR9405	1-216-296-11	SHORT CHIP 0			
2115		U1	CHIP CONDUCTOR		JR9406	1-216-295-91	SHORT CHIP 0			
2116		U1	CHIP CONDUCTOR		JR9407	1-216-295-91	SHORT CHIP 0			
2117		U1	CHIP CONDUCTOR		JR9408	1-216-295-91	SHORT CHIP 0			
2118		U1	CHIP CONDUCTOR		JR9409	1-216-295-91	SHORT CHIP 0			
2119		U1	CHIP CONDUCTOR		JR9410	1-216-295-91	SHORT CHIP 0			
2120		U1	CHIP CONDUCTOR		JR9411	1-216-295-91	SHORT CHIP 0			
2121		U1	CHIP CONDUCTOR		JR9416	1-216-295-91	SHORT CHIP 0			
2122		U1	CHIP CONDUCTOR		JR9417	1-216-295-91	SHORT CHIP 0			
2123		U1	CHIP CONDUCTOR		JR9418	1-216-295-91	SHORT CHIP 0			
2124		U1	CHIP CONDUCTOR		JR9419	1-216-295-91	SHORT CHIP 0			
2125		U1	TRANSISTOR		Q9206	8-729-028-73	TRANSISTOR DTA114EUA-T106			
2126		U1	RESISTOR		R9256	1-216-821-11	METAL CHIP 1K 5% 1/10W			
2127		U1	RESISTOR		R9258	1-216-809-11	METAL CHIP 100 5% 1/10W			
2128		U1	RESISTOR		R9403	1-216-631-11	METAL CHIP 150 0.5% 1/10W			
2129		U1	RESISTOR		R9404	1-216-631-11	METAL CHIP 150 0.5% 1/10W			
2130		U1	RESISTOR		R9405	1-216-631-11	METAL CHIP 150 0.5% 1/10W			
2131		U1	RESISTOR		R9406	1-216-631-11	METAL CHIP 150 0.5% 1/10W			
2132		U1	RESISTOR		R9407	1-216-631-11	METAL CHIP 150 0.5% 1/10W			
2133		U1	RESISTOR		R9408	1-216-849-11	METAL CHIP 220K 5% 1/10W			
2134		U1	RESISTOR		R9409	1-216-631-11	METAL CHIP 150 0.5% 1/10W			
2135		U1	RESISTOR		R9410	1-216-849-11	METAL CHIP 220K 5% 1/10W			
2136		U1	RESISTOR		R9411	1-216-849-11	METAL CHIP 220K 5% 1/10W			
2137		U1	RESISTOR		R9412	1-216-849-11	METAL CHIP 220K 5% 1/10W			
2138		U1	RESISTOR		R9413	1-218-665-11	METAL CHIP 75 0.5% 1/10W			
2139		U1	RESISTOR		R9414	1-218-665-11	METAL CHIP 75 0.5% 1/10W			
2140		U1	RESISTOR		R9415	1-218-665-11	METAL CHIP 75 0.5% 1/10W			
2141		U1	RESISTOR		R9416	1-216-849-11	METAL CHIP 220K 5% 1/10W			
2142		U1	RESISTOR		R9417	1-216-849-11	METAL CHIP 220K 5% 1/10W			
2143		U1	RESISTOR		R9418	1-218-665-11	METAL CHIP 75 0.5% 1/10W			
2144		U1	RESISTOR		R9419	1-218-665-11	METAL CHIP 75 0.5% 1/10W			
2145		U1	RESISTOR		R9420	1-218-665-11	METAL CHIP 75 0.5% 1/10W			
2146		U1	RESISTOR		R9425	1-216-849-11	METAL CHIP 220K 5% 1/10W			
2147		U1	RESISTOR		R9435	1-216-849-11	METAL CHIP 220K 5% 1/10W			
2148		U1	RESISTOR		R9436	1-216-631-11	METAL CHIP 150 0.5% 1/10W			
2149		U1	RESISTOR		R9437	1-216-631-11	METAL CHIP 150 0.5% 1/10W			
2150		U1	RESISTOR		R9438	1-216-631-11	METAL CHIP 150 0.5% 1/10W			

No.	#	Board	Type	△/*	Ref.No.	Part No.	Description	Remarks-1	Remarks-2	Difference
2151		U1	RESISTOR		R9439	1-216-631-11	METAL CHIP 150 0.5% 1/10W			
2152		U1	RESISTOR		R9440	1-216-631-11	METAL CHIP 150 0.5% 1/10W			
2153		U1	RESISTOR		R9441	1-216-631-11	METAL CHIP 150 0.5% 1/10W			
2154		U1	VARISTOR		VD9401	1-803-974-21	VARISTOR, CHIP (1608)			
2155		U1	VARISTOR		VD9402	1-803-974-21	VARISTOR, CHIP (1608)			
2156		U1	VARISTOR		VD9403	1-803-974-21	VARISTOR, CHIP (1608)			
2157		U1	VARISTOR		VD9404	1-803-974-21	VARISTOR, CHIP (1608)			
2158		U1	VARISTOR		VD9407	1-803-974-21	VARISTOR, CHIP (1608)			
2159		U1	VARISTOR		VD9408	1-803-974-21	VARISTOR, CHIP (1608)			
2160		U1	VARISTOR		VD9409	1-803-974-21	VARISTOR, CHIP (1608)			
2161		U1	VARISTOR		VD9410	1-803-974-21	VARISTOR, CHIP (1608)			
2162		U1	VARISTOR		VD9416	1-803-974-21	VARISTOR, CHIP (1608)			
2163		U1	VARISTOR		VD9417	1-803-974-21	VARISTOR, CHIP (1608)			
2164		U1	VARISTOR		VD9418	1-803-974-21	VARISTOR, CHIP (1608)			
2165		U1	VARISTOR		VD9430	1-803-974-21	VARISTOR, CHIP (1608)			
2166		U1	VARISTOR		VD9431	1-803-974-21	VARISTOR, CHIP (1608)			
2167		U1	VARISTOR		VD9432	1-803-974-21	VARISTOR, CHIP (1608)			
2168		U1	VARISTOR		VD9433	1-803-974-21	VARISTOR, CHIP (1608)			
2169		U1	VARISTOR		VD9434	1-803-974-21	VARISTOR, CHIP (1608)			
2170		U1	VARISTOR		VD9435	1-803-974-21	VARISTOR, CHIP (1608)			
2171		U1	VARISTOR		VD9436	1-803-974-21	VARISTOR, CHIP (1608)			
2172		U2	CONNECTOR		CN9406	1-766-340-21	CONNECTOR, FFC/FPC 10P			
2173		U2	DIODE		D9410	1-803-974-21	VARISTOR, CHIP (1608)			
2174		U2	SOCKET		J9405	1-764-416-11	TERMINAL BLOCK, (S)			
2175		U2	RESISTOR		R9428	1-216-849-11	METAL CHIP 220K 5% 1/10W			
2176		U2	RESISTOR		R9429	1-216-849-11	METAL CHIP 220K 5% 1/10W			
2177		U2	RESISTOR		R9430	1-216-849-11	METAL CHIP 220K 5% 1/10W			
2178		U2	VARISTOR		VD9422	1-803-974-21	VARISTOR, CHIP (1608)			
2179		U2	VARISTOR		VD9425	1-803-974-21	VARISTOR, CHIP (1608)			
2180		U2	VARISTOR		VD9426	1-803-974-21	VARISTOR, CHIP (1608)			
2181		H2	CAPACITOR		C50	1-119-824-11	ELECT 10UF 20.00% 50V			
2182		H2	CAPACITOR		C51	1-119-824-11	ELECT 10UF 20.00% 50V			
2183		H2	CAPACITOR		C52	1-126-964-11	ELECT 10UF 20.00% 50V			
2184		H2	CAPACITOR		C53	1-126-964-11	ELECT 10UF 20.00% 50V			
2185		H2	CAPACITOR		C70	1-162-974-11	CERAMIC CHIP 0.01UF 50V			
2186		H2	CAPACITOR		C72	1-115-156-11	CERAMIC CHIP 1UF 10V			
2187		H2	CAPACITOR		C77	1-162-970-11	CERAMIC CHIP 0.01UF 10.00% 25V			
2188		H2	CAPACITOR		C79	1-216-864-11	SHORT CHIP 0			
2189		H2	CAPACITOR		C80	1-216-864-11	SHORT CHIP 0			
2190		H2	CONNECTOR		CN43	1-817-097-21	PIN, CONNECTOR (1.5MM)(SMD)13P			
2191		H2	DIODE		D40	8-719-977-28	DIODE DTZ10B			
2192		H2	DIODE		D49	8-719-977-28	DIODE DTZ10B			
2193		H2	DIODE		D50	8-719-977-28	DIODE DTZ10B			

No.	#	Board	Type	△/*	Ref.No.	Part No.	Description	Remarks-1	Remarks-2	Difference
2194		H2	DIODE		D51	8-719-977-28	DIODE DTZ10B			
2195		H2	DIODE		D52	8-719-977-28	DIODE DTZ10B			
2196		H2	SOCKET		J40	1-694-716-11	TERMINAL BLOCK, S(LIGHT ANGLE)			
2197		H2	RESISTOR		R46	1-216-849-11	METAL CHIP 220K 5% 1/10W			
2198		H2	RESISTOR		R47	1-216-849-11	METAL CHIP 220K 5% 1/10W			
2199		H2	RESISTOR		R48	1-218-665-11	METAL CHIP 75 0.5% 1/10W			
2200		H2	RESISTOR		R50	1-218-665-11	METAL CHIP 75 0.5% 1/10W			
2201		H2	RESISTOR		R75	1-216-821-11	METAL CHIP 1K 5% 1/10W			
2202		H2	RESISTOR		R89	1-218-665-11	METAL CHIP 75 0.5% 1/10W			
2203		H2	RESISTOR		R95	1-216-864-11	SHORT CHIP 0			
2204		H2	RESISTOR		R96	1-216-864-11	SHORT CHIP 0			
2205		H2	VARISTOR		VD40	1-803-974-21	VARISTOR, CHIP (1608)			
2206		H1	CAPACITOR		C101	1-124-779-00	ELECT CHIP 10UF 20.00% 16V			
2207		H1	CAPACITOR		C102	1-107-826-11	CERAMIC CHIP 0.1UF 10.00% 16V			
2208		H1	CAPACITOR		C104	1-162-974-11	CERAMIC CHIP 0.01UF 50V			
2209		H1	CONNECTOR		CN101	1-565-881-11	PIN, CONNECTOR (PC BOARD) 9P			
2210		H1	CONNECTOR	*	CN105	1-565-882-11	PIN, CONNECTOR (PC BOARD) 10P			
2211		H1	CONNECTOR		CN106	1-565-878-11	PIN, CONNECTOR (PC BOARD) 6P			
2212		H1	CONNECTOR	*	CN107	1-565-876-11	PIN, CONNECTOR (PC BOARD) 4P			
2213		H1	DIODE		D101	6-500-284-01	DIODE DB3804X			
2214		H1	DIODE		D102	6-500-284-01	DIODE DB3804X			
2215		H1	DIODE		D103	6-500-284-01	DIODE DB3804X			
2216		H1	DIODE		D104	6-500-284-01	DIODE DB3804X			
2217		H1	DIODE		D105	6-500-284-01	DIODE DB3804X			
2218		H1	DIODE		D106	6-500-284-01	DIODE DB3804X			
2219		H1	DIODE		D107	6-500-284-01	DIODE DB3804X			
2220		H1	DIODE		D108	6-500-284-01	DIODE DB3804X			
2221		H1	DIODE		D110	8-719-069-55	DIODE UDZSTE-175.6B			
2222		H1	DIODE		D118	1-216-864-11	SHORT CHIP 0			
2223		H1	DIODE		D120	8-719-404-50	DIODE MA111-TX			
2224		H1	DIODE		D121	8-719-404-50	DIODE MA111-TX			
2225		H1	DIODE		D122	8-719-404-50	DIODE MA111-TX			
2226		H1	DIODE		D123	8-719-404-50	DIODE MA111-TX			
2227		H1	DIODE		D126	8-719-064-11	DIODE SPR-325MVW			
2228		H1	DIODE		D127	8-719-064-11	DIODE SPR-325MVW			
2229		H1	IC		IC101	8-759-567-08	IC MB88141APF-ER			
2230		H1	TRANSISTOR		Q101	8-729-907-00	TRANSISTOR DTC114EU			
2231		H1	TRANSISTOR		Q102	8-729-907-00	TRANSISTOR DTC114EU			
2232		H1	TRANSISTOR		Q103	8-729-907-00	TRANSISTOR DTC114EU			
2233		H1	TRANSISTOR		Q104	8-729-907-00	TRANSISTOR DTC114EU			
2234		H1	TRANSISTOR		Q105	8-729-907-00	TRANSISTOR DTC114EU			
2235		H1	TRANSISTOR		Q106	8-729-907-00	TRANSISTOR DTC114EU			
2236		H1	TRANSISTOR		Q107	8-729-907-00	TRANSISTOR DTC114EU			

No.	#	Board	Type	△/*	Ref.No.	Part No.	Description	Remarks-1	Remarks-2	Difference
2237		H1	TRANSISTOR		Q108	8-729-907-00	TRANSISTOR DTC114EU			
2238		H1	TRANSISTOR		Q117	8-729-216-22	TRANSISTOR 2SA1162-G			
2239		H1	TRANSISTOR		Q118	8-729-216-22	TRANSISTOR 2SA1162-G			
2240		H1	TRANSISTOR		Q119	8-729-216-22	TRANSISTOR 2SA1162-G			
2241		H1	TRANSISTOR		Q120	8-729-216-22	TRANSISTOR 2SA1162-G			
2242		H1	TRANSISTOR		Q121	1-801-806-11	TR DTC144EKA			
2243		H1	TRANSISTOR		Q122	1-801-806-11	TR DTC144EKA			
2244		H1	TRANSISTOR		Q123	1-801-806-11	TR DTC144EKA			
2245		H1	TRANSISTOR		Q124	1-801-806-11	TR DTC144EKA			
2246		H1	RESISTOR		R101	1-216-817-11	METAL CHIP 470 5% 1/10W			
2247		H1	RESISTOR		R102	1-216-817-11	METAL CHIP 470 5% 1/10W			
2248		H1	RESISTOR		R103	1-216-817-11	METAL CHIP 470 5% 1/10W			
2249		H1	RESISTOR		R104	1-216-817-11	METAL CHIP 470 5% 1/10W			
2250		H1	RESISTOR		R105	1-216-817-11	METAL CHIP 470 5% 1/10W			
2251		H1	RESISTOR		R106	1-216-817-11	METAL CHIP 470 5% 1/10W			
2252		H1	RESISTOR		R107	1-216-817-11	METAL CHIP 470 5% 1/10W			
2253		H1	RESISTOR		R108	1-216-817-11	METAL CHIP 470 5% 1/10W			
2254		H1	RESISTOR		R109	1-216-809-11	METAL CHIP 100 5% 1/10W			
2255		H1	RESISTOR		R110	1-216-809-11	METAL CHIP 100 5% 1/10W			
2256		H1	RESISTOR		R111	1-216-809-11	METAL CHIP 100 5% 1/10W			
2257		H1	RESISTOR		R124	1-216-833-11	METAL CHIP 10K 5% 1/10W			
2258		H1	RESISTOR		R125	1-216-833-11	METAL CHIP 10K 5% 1/10W			
2259		H1	RESISTOR		R126	1-216-833-11	METAL CHIP 10K 5% 1/10W			
2260		H1	RESISTOR		R127	1-216-833-11	METAL CHIP 10K 5% 1/10W			
2261		H1	RESISTOR		R128	1-216-833-11	METAL CHIP 10K 5% 1/10W			
2262		H1	RESISTOR		R129	1-216-833-11	METAL CHIP 10K 5% 1/10W			
2263		H1	RESISTOR		R130	1-216-833-11	METAL CHIP 10K 5% 1/10W			
2264		H1	RESISTOR		R131	1-216-833-11	METAL CHIP 10K 5% 1/10W			
2265		H1	RESISTOR		R132	1-216-817-11	METAL CHIP 470 5% 1/10W			
2266		H1	RESISTOR		R133	1-216-817-11	METAL CHIP 470 5% 1/10W			
2267		H1	RESISTOR		R134	1-216-817-11	METAL CHIP 470 5% 1/10W			
2268		H1	RESISTOR		R135	1-216-817-11	METAL CHIP 470 5% 1/10W			
2269		H1	RESISTOR		R136	1-216-821-11	METAL CHIP 1K 5% 1/10W			
2270		H1	RESISTOR		R137	1-216-821-11	METAL CHIP 1K 5% 1/10W			
2271		H1	RESISTOR		R138	1-216-821-11	METAL CHIP 1K 5% 1/10W			
2272		H1	RESISTOR		R139	1-216-821-11	METAL CHIP 1K 5% 1/10W			
2273		H3	CAPACITOR		C171	1-163-031-91	CERAMIC CHIP 0.01UF 50V			
2274		H3	CONNECTOR	*	CN171	1-565-876-11	PIN, CONNECTOR (PC BOARD) 4P			
2275		H3	DIODE		D171	8-719-914-44	DIODE DAP202K			
2276		H3	RESISTOR		R171	1-216-051-00	RES-CHIP 1.2K 5% 1/10W			
2277		H3	RESISTOR		R172	1-216-053-00	RES-CHIP 1.5K 5% 1/10W			
2278		H3	RESISTOR		R173	1-216-059-00	RES-CHIP 2.7K 5% 1/10W			
2279		H3	RESISTOR		R174	1-216-067-00	RES-CHIP 5.6K 5% 1/10W			

No.	#	Board	Type	△/*	Ref.No.	Part No.	Description	Remarks-1	Remarks-2	Difference
2280		H3	RESISTOR		R175	1-216-077-91	RES-CHIP 15K 5% 1/10W			
2281		H3	SWITCH		S171	1-762-196-21	SWITCH, TACT			
2282		H3	SWITCH		S172	1-762-196-21	SWITCH, TACT			
2283		H3	SWITCH		S173	1-762-196-21	SWITCH, TACT			
2284		H3	SWITCH		S174	1-762-196-21	SWITCH, TACT			
2285		H3	SWITCH		S175	1-762-196-21	SWITCH, TACT			
2286		H3	SWITCH		S176	1-762-196-21	SWITCH, TACT			
2287		H4	CAPACITOR		C191	1-162-974-11	CERAMIC CHIP 0.01UF 50V			
2288		H4	CAPACITOR		C192	1-162-974-11	CERAMIC CHIP 0.01UF 50V			
2289		H4	CONNECTOR		CN191	1-565-878-11	PIN, CONNECTOR (PC BOARD) 6P			
2290		H4	RESISTOR		R191	1-216-821-11	METAL CHIP 1K 5% 1/10W			
2291		H4	SWITCH		S191	1-554-118-00	SWITCH, PUSH (1 KEY)			
2292		AU	CAPACITOR		C4721	1-124-779-00	ELECT CHIP 10UF 20.00% 16V			
2293		AU	CAPACITOR		C4722	1-124-779-00	ELECT CHIP 10UF 20.00% 16V			
2294		AU	CAPACITOR		C4723	1-124-779-00	ELECT CHIP 10UF 20.00% 16V			
2295		AU	CAPACITOR		C4724	1-124-779-00	ELECT CHIP 10UF 20.00% 16V			
2296		AU	CAPACITOR		C4725	1-124-779-00	ELECT CHIP 10UF 20.00% 16V			
2297		AU	CAPACITOR		C4726	1-124-779-00	ELECT CHIP 10UF 20.00% 16V			
2298		AU	CAPACITOR		C4727	1-124-779-00	ELECT CHIP 10UF 20.00% 16V			
2299		AU	CAPACITOR		C4728	1-124-779-00	ELECT CHIP 10UF 20.00% 16V			
2300		AU	CAPACITOR		C4729	1-124-779-00	ELECT CHIP 10UF 20.00% 16V			
2301		AU	CAPACITOR		C4730	1-124-779-00	ELECT CHIP 10UF 20.00% 16V			
2302		AU	CAPACITOR		C4732	1-107-826-11	CERAMIC CHIP 0.1UF 10.00% 16V			
2303		AU	CAPACITOR		C4733	1-162-964-11	CERAMIC CHIP 0.001UF 10.00% 50V			
2304		AU	CAPACITOR		C4734	1-165-176-11	CERAMIC CHIP 0.047UF 10.00% 16V			
2305		AU	CAPACITOR		C4735	1-162-966-11	CERAMIC CHIP 0.0022UF 10.00% 50V			
2306		AU	CAPACITOR		C4736	1-164-227-11	CERAMIC CHIP 0.022UF 10.00% 25V			
2307		AU	CAPACITOR		C4737	1-127-715-91	CERAMIC CHIP 0.22UF 10% 16V			
2308		AU	CAPACITOR		C4738	1-162-970-11	CERAMIC CHIP 0.01UF 10.00% 25V			
2309		AU	CAPACITOR		C4739	1-127-715-91	CERAMIC CHIP 0.22UF 10% 16V			
2310		AU	CAPACITOR		C4740	1-128-934-91	CERAMIC CHIP 0.33UF 20% 10V			
2311		AU	CAPACITOR		C4741	1-117-681-11	ELECT CHIP 100UF 20.00% 16V			
2312		AU	CAPACITOR		C4742	1-162-968-11	CERAMIC CHIP 0.0047UF 10.00% 50V			
2313		AU	CAPACITOR		C4743	1-127-715-91	CERAMIC CHIP 0.22UF 10% 16V			
2314		AU	CAPACITOR		C4744	1-126-193-11	ELECT CHIP 1UF 20.00% 50V			
2315		AU	CAPACITOR		C4745	1-126-193-11	ELECT CHIP 1UF 20.00% 50V			
2316		AU	CAPACITOR		C4747	1-107-778-11	ELECT CHIP 470UF 20% 16V			
2317		AU	CAPACITOR		C4748	1-162-968-11	CERAMIC CHIP 0.0047UF 10.00% 50V			
2318		AU	CAPACITOR		C4749	1-162-970-11	CERAMIC CHIP 0.01UF 10.00% 25V			
2319		AU	CAPACITOR		C4750	1-126-603-11	ELECT CHIP 4.7UF 20.00% 35V			
2320		AU	CAPACITOR		C4751	1-126-193-11	ELECT CHIP 1UF 20.00% 50V			
2321		AU	CAPACITOR		C4752	1-162-968-11	CERAMIC CHIP 0.0047UF 10.00% 50V			
2322		AU	CAPACITOR		C4753	1-126-193-11	ELECT CHIP 1UF 20.00% 50V			

No.	#	Board	Type	△/*	Ref.No.	Part No.	Descrption	Remarks-1	Remarks-2	Difference
2323		AU	CAPACITOR		C4754	1-117-681-11	ELECT CHIP 100UF 20.00% 16V			
2324		AU	CAPACITOR		C4755	1-126-193-11	ELECT CHIP 1UF 20.00% 50V			
2325		AU	CAPACITOR		C4756	1-107-826-11	CERAMIC CHIP 0.1UF 10.00% 16V			
2326		AU	CAPACITOR		C4757	1-107-826-11	CERAMIC CHIP 0.1UF 10.00% 16V			
2327		AU	CAPACITOR		C4758	1-162-964-11	CERAMIC CHIP 0.001UF 10.00% 50V			
2328		AU	CAPACITOR		C4759	1-165-176-11	CERAMIC CHIP 0.047UF 10.00% 16V			
2329		AU	CAPACITOR		C4760	1-162-966-11	CERAMIC CHIP 0.0022UF 10.00% 50V			
2330		AU	CAPACITOR		C4761	1-126-193-11	ELECT CHIP 1UF 20.00% 50V			
2331		AU	CAPACITOR		C4762	1-126-193-11	ELECT CHIP 1UF 20.00% 50V			
2332		AU	CAPACITOR		C4763	1-126-193-11	ELECT CHIP 1UF 20.00% 50V			
2333		AU	CAPACITOR		C4764	1-126-193-11	ELECT CHIP 1UF 20.00% 50V			
2334		AU	CAPACITOR		C4765	1-162-968-11	CERAMIC CHIP 0.0047UF 10.00% 50V			
2335		AU	CAPACITOR		C4766	1-162-968-11	CERAMIC CHIP 0.0047UF 10.00% 50V			
2336		AU	CAPACITOR		C4767	1-162-970-11	CERAMIC CHIP 0.01UF 10.00% 25V			
2337		AU	CAPACITOR		C4768	1-127-715-91	CERAMIC CHIP 0.22UF 10% 16V			
2338		AU	CAPACITOR		C4770	1-127-715-91	CERAMIC CHIP 0.22UF 10% 16V			
2339		AU	CAPACITOR		C4771	1-107-826-11	CERAMIC CHIP 0.1UF 10.00% 16V			
2340		AU	CAPACITOR		C4772	1-127-804-91	CERAMIC CHIP 100PF 1% 50V			
2341		AU	CAPACITOR		C4773	1-127-715-91	CERAMIC CHIP 0.22UF 10% 16V			
2342		AU	CAPACITOR		C4774	1-128-357-11	ELECT CHIP 10UF 20.00% 16V			
2343		AU	CAPACITOR		C4775	1-128-357-11	ELECT CHIP 10UF 20.00% 16V			
2344		AU	CAPACITOR		C4776	1-127-715-91	CERAMIC CHIP 0.22UF 10% 16V			
2345		AU	CAPACITOR		C4777	1-107-826-11	CERAMIC CHIP 0.1UF 10.00% 16V			
2346		AU	CAPACITOR		C4778	1-117-681-11	ELECT CHIP 100UF 20.00% 16V			
2347		AU	CAPACITOR		C4779	1-124-779-00	ELECT CHIP 10UF 20.00% 16V			
2348		AU	CAPACITOR		C4780	1-117-681-11	ELECT CHIP 100UF 20.00% 16V			
2349		AU	CAPACITOR		C4781	1-107-826-11	CERAMIC CHIP 0.1UF 10.00% 16V			
2350		AU	CAPACITOR		C4782	1-127-804-91	CERAMIC CHIP 100PF 1% 50V			
2351		AU	CAPACITOR		C4784	1-124-779-00	ELECT CHIP 10UF 20.00% 16V			
2352		AU	CAPACITOR		C4785	1-117-681-11	ELECT CHIP 100UF 20.00% 16V			
2353		AU	CAPACITOR		C4786	1-126-193-11	ELECT CHIP 1UF 20.00% 50V			
2354		AU	CAPACITOR		C4787	1-107-826-11	CERAMIC CHIP 0.1UF 10.00% 16V			
2355		AU	CAPACITOR		C4788	1-131-664-91	CERAMIC CHIP 0.15UF 10% 10V			
2356		AU	CAPACITOR		C4789	1-131-664-91	CERAMIC CHIP 0.15UF 10% 10V			
2357		AU	CAPACITOR		C4790	1-216-821-11	METAL CHIP 1K 5% 1/10W			
2358		AU	CAPACITOR		C4791	1-216-821-11	METAL CHIP 1K 5% 1/10W			
2359		AU	CAPACITOR		C4792	1-131-664-91	CERAMIC CHIP 0.15UF 10% 10V			
2360		AU	CAPACITOR		C4793	1-131-664-91	CERAMIC CHIP 0.15UF 10% 10V			
2361		AU	CAPACITOR		C4794	1-107-826-11	CERAMIC CHIP 0.1UF 10.00% 16V			
2362		AU	CAPACITOR		C4795	1-107-826-11	CERAMIC CHIP 0.1UF 10.00% 16V			
2363		AU	CONNECTOR	*	CN4703	1-815-353-21	CONNECTOR, BOARD TO BOARD 50P			
2364		AU	CONNECTOR		CN4704	1-816-466-21	PIN, CONNECTOR 10P			
2365		AU	DIODE		D4704	8-719-071-74	DIODE HZU11B1TRF			

No.	#	Board	Type	△/*	Ref.No.	Part No.	Descrption	Remarks-1	Remarks-2	Difference
2366		AU	DIODE		D4705	8-719-050-37	DIODE M1MA152WA-T1			
2367		AU	DIODE		D4706	8-719-050-38	DIODE M1MA152WK-T1			
2368		AU	DIODE		D4707	8-719-914-44	DIODE DAP202K			
2369		AU	DIODE		D4708	8-719-041-97	DIODE MA113-(TX)			
2370		AU	DIODE		D4709	8-719-404-50	DIODE MA111-TX			
2371		AU	DIODE		D4710	8-719-041-97	DIODE MA113-(TX)			
2372		AU	IC		IC4703	6-702-716-01	IC NJW1149			
2373		AU	IC		IC4704	8-759-278-58	IC NJM4558V-TE2			
2374		AU	IC		IC4705	8-759-278-58	IC NJM4558V-TE2			
2375		AU	IC		IC4706	8-759-278-58	IC NJM4558V-TE2			
2376		AU	IC		IC4707	8-759-278-58	IC NJM4558V-TE2			
2377		AU	IC		IC4708	8-759-082-61	IC TC4W53FU			
2378		AU	COIL		L4701	1-412-058-11	INDUCTOR 10UH			
2379		AU	COIL		L4702	1-412-058-11	INDUCTOR 10UH			
2380		AU	COIL		L4703	1-412-058-11	INDUCTOR 10UH			
2381		AU	TRANSISTOR		Q4706	8-729-422-33	TRANSISTOR 2SD601A-Q-TX			
2382		AU	TRANSISTOR		Q4707	8-729-422-33	TRANSISTOR 2SD601A-Q-TX			
2383		AU	TRANSISTOR		Q4708	8-729-216-22	TRANSISTOR 2SA1162-G			
2384		AU	TRANSISTOR		Q4709	1-801-806-11	TR DTC144EKA			
2385		AU	TRANSISTOR		Q4710	8-729-216-22	TRANSISTOR 2SA1162-G			
2386		AU	RESISTOR		R4732	1-216-864-11	SHORT CHIP 0			
2387		AU	RESISTOR		R4733	1-216-864-11	SHORT CHIP 0			
2388		AU	RESISTOR		R4734	1-216-864-11	SHORT CHIP 0			
2389		AU	RESISTOR		R4735	1-216-864-11	SHORT CHIP 0			
2390		AU	RESISTOR		R4736	1-216-864-11	SHORT CHIP 0			
2391		AU	RESISTOR		R4737	1-216-864-11	SHORT CHIP 0			
2392		AU	RESISTOR		R4740	1-216-825-11	METAL CHIP 2.2K 5% 1/10W			
2393		AU	RESISTOR		R4741	1-216-825-11	METAL CHIP 2.2K 5% 1/10W			
2394		AU	RESISTOR		R4742	1-216-828-11	METAL CHIP 3.9K 5% 1/10W			
2395		AU	RESISTOR		R4743	1-216-828-11	METAL CHIP 3.9K 5% 1/10W			
2396		AU	RESISTOR		R4748	1-218-292-11	METAL CHIP 20K 5% 1/10W			
2397		AU	RESISTOR		R4750	1-216-827-11	METAL CHIP 3.3K 5% 1/10W			
2398		AU	RESISTOR		R4751	1-218-292-11	METAL CHIP 20K 5% 1/10W			
2399		AU	RESISTOR		R4752	1-216-809-11	METAL CHIP 100 5% 1/10W			
2400		AU	RESISTOR		R4753	1-216-809-11	METAL CHIP 100 5% 1/10W			
2401		AU	RESISTOR		R4754	1-218-292-11	METAL CHIP 20K 5% 1/10W			
2402		AU	RESISTOR		R4755	1-218-292-11	METAL CHIP 20K 5% 1/10W			
2403		AU	RESISTOR		R4757	1-216-827-11	METAL CHIP 3.3K 5% 1/10W			
2404		AU	RESISTOR		R4758	1-216-829-11	METAL CHIP 4.7K 5% 1/10W			
2405		AU	RESISTOR		R4759	1-216-833-11	METAL CHIP 10K 5% 1/10W			
2406		AU	RESISTOR		R4760	1-216-833-11	METAL CHIP 10K 5% 1/10W			
2407		AU	RESISTOR		R4761	1-216-833-11	METAL CHIP 10K 5% 1/10W			
2408		AU	RESISTOR		R4762	1-216-844-11	METAL CHIP 82K 5% 1/10W			



No.	#	Board	Type	△/*	Ref.No.	Part No.	Description	Remarks-1	Remarks-2	Difference
2409		AU	RESISTOR		R4763	1-216-844-11	METAL CHIP 82K 5% 1/10W			
2410		AU	RESISTOR		R4764	1-216-829-11	METAL CHIP 4.7K 5% 1/10W			
2411		AU	RESISTOR		R4765	1-216-841-11	METAL CHIP 47K 5% 1/10W			
2412		AU	RESISTOR		R4766	1-216-829-11	METAL CHIP 4.7K 5% 1/10W			
2413		AU	RESISTOR		R4768	1-216-821-11	METAL CHIP 1K 5% 1/10W			
2414		AU	RESISTOR		R4769	1-216-841-11	METAL CHIP 47K 5% 1/10W			
2415		AU	RESISTOR		R4770	1-216-837-11	METAL CHIP 22K 5% 1/10W			
2416		AU	RESISTOR		R4771	1-216-833-11	METAL CHIP 10K 5% 1/10W			
2417		AU	RESISTOR		R4772	1-216-829-11	METAL CHIP 4.7K 5% 1/10W			
2418		AU	RESISTOR		R4773	1-216-833-11	METAL CHIP 10K 5% 1/10W			
2419		AU	RESISTOR		R4774	1-216-827-11	METAL CHIP 3.3K 5% 1/10W			
2420		AU	RESISTOR		R4775	1-216-825-11	METAL CHIP 2.2K 5% 1/10W			
2421		AU	RESISTOR		R4776	1-216-815-11	METAL CHIP 330 5% 1/10W			
2422		AU	RESISTOR		R4777	1-216-857-11	METAL CHIP 1M 5% 1/10W			
2423		AU	RESISTOR		R4778	1-216-837-11	METAL CHIP 22K 5% 1/10W			
2424		AU	RESISTOR		R4779	1-216-864-11	SHORT CHIP 0			
2425		AU	RESISTOR		R4780	1-216-841-11	METAL CHIP 47K 5% 1/10W			
2426		AU	RESISTOR		R4781	1-216-830-11	METAL CHIP 5.6K 5% 1/10W			
2427		AU	RESISTOR		R4782	1-216-830-11	METAL CHIP 5.6K 5% 1/10W			
2428		AU	RESISTOR		R4783	1-216-693-11	METAL CHIP 56K 0.5% 1/10W			
2429		AU	RESISTOR		R4784	1-216-693-11	METAL CHIP 56K 0.5% 1/10W			
2430		AU	RESISTOR		R4787	1-216-683-11	METAL CHIP 22K 0.5% 1/10W			
2431		AU	RESISTOR		R4788	1-216-683-11	METAL CHIP 22K 0.5% 1/10W			
2432		AU	RESISTOR		R4789	1-216-845-11	METAL CHIP 100K 5% 1/10W			
2433		AU	RESISTOR		R4790	1-216-833-11	METAL CHIP 10K 5% 1/10W			
2434		AU	RESISTOR		R4794	1-216-836-11	METAL CHIP 18K 5% 1/10W			
2435		AU	RESISTOR		R4795	1-216-838-11	METAL CHIP 27K 5% 1/10W			
2436		IFA	CAPACITOR		C8001	1-104-665-11	ELECT 100UF 20.00% 25V			
2437		IFA	CAPACITOR		C8002	1-126-935-11	ELECT 470UF 20.00% 16V			
2438		IFA	CAPACITOR		C8003	1-126-933-11	ELECT 100UF 20.00% 16V			
2439		IFA	CAPACITOR		C8004	1-126-935-11	ELECT 470UF 20.00% 16V			
2440		IFA	CONNECTOR		CN8001	1-779-936-21	CONNECTOR, FFC/FPC 18P			
2441		IFA	CONNECTOR		CN8003	1-779-334-11	CONNECTOR, FFC/FPC 20P			
2442		IFA	CONNECTOR	*	CN8004	1-778-391-11	SOCKET, PC CONNECTOR 96P			
2443		IFA	CONNECTOR	*	CN8005	1-816-124-11	PIN, CONNECTOR (FOR PWB) 18P			
2444		IFA	CONNECTOR	*	CN8008	1-691-757-11	PIN, CONNECTOR (PC BOARD) 8P			
2445		IFA	CONNECTOR	*	CN8011	1-793-493-11	CONNECTOR, BOARD TO BOARD 20P			
2446		IFA	DIODE		D8001	8-719-404-50	DIODE MA111-TX			
2447		IFA	FERRITE		FB8001	1-216-864-11	SHORT CHIP 0			
2448		IFA	FERRITE		FB8002	1-216-864-11	SHORT CHIP 0			
2449		IFA	FERRITE		FB8003	1-216-864-11	SHORT CHIP 0			
2450		IFA	FERRITE		FB8004	1-216-864-11	SHORT CHIP 0			
2451		IFA	FERRITE		FB8005	1-216-864-11	SHORT CHIP 0			

No.	#	Board	Type	△/*	Ref.No.	Part No.	Descrption	Remarks-1	Remarks-2	Difference
2452		IFA	FERRITE		FB8006	1-216-864-11	SHORT CHIP 0			
2453		IFA	FERRITE		FB8007	1-216-864-11	SHORT CHIP 0			
2454		IFA	FERRITE		FB8008	1-216-864-11	SHORT CHIP 0			
2455		IFA	FERRITE		FB8009	1-216-864-11	SHORT CHIP 0			
2456		IFA	FERRITE		FB8011	1-216-864-11	SHORT CHIP 0			
2457		IFA	FERRITE		FB8012	1-216-864-11	SHORT CHIP 0			
2458		IFA	FERRITE		FB8013	1-216-864-11	SHORT CHIP 0			
2459		IFA	FERRITE		FB8014	1-216-864-11	SHORT CHIP 0			
2460		IFA	FERRITE		FB8015	1-216-864-11	SHORT CHIP 0			
2461		IFA	FERRITE		FB8016	1-216-864-11	SHORT CHIP 0			
2462		IFA	FERRITE		FB8017	1-216-864-11	SHORT CHIP 0			
2463		IFA	FERRITE		FB8018	1-216-864-11	SHORT CHIP 0			
2464		IFA	FERRITE		FB8062	1-216-864-11	SHORT CHIP 0			
2465		IFA	FERRITE		FB8063	1-216-864-11	SHORT CHIP 0			
2466		IFA	FERRITE		FB8064	1-216-864-11	SHORT CHIP 0			
2467		IFA	FERRITE		FB8065	1-216-864-11	SHORT CHIP 0			
2468		IFA	FERRITE		FB8066	1-216-864-11	SHORT CHIP 0			
2469		IFA	FERRITE		FB8067	1-216-864-11	SHORT CHIP 0			
2470		IFA	FERRITE		FB8068	1-216-864-11	SHORT CHIP 0			
2471		IFA	FERRITE		FB8069	1-216-864-11	SHORT CHIP 0			
2472		IFA	FERRITE		FB8070	1-216-864-11	SHORT CHIP 0			
2473		IFA	FERRITE		FB8071	1-216-864-11	SHORT CHIP 0			
2474		IFA	FERRITE		FB8072	1-216-864-11	SHORT CHIP 0			
2475		IFA	IC		IC8001	8-759-520-49	IC PQ30RV21			
2476		IFA	IC		IC8002	8-759-459-99	IC PQ09RD11			
2477		IFA	CHIP CONDUCTOR		JR8001	1-216-295-91	SHORT CHIP 0			
2478		IFA	CHIP CONDUCTOR		JR8002	1-216-295-91	SHORT CHIP 0			
2479		IFA	RESISTOR		R8002	1-218-684-11	METAL CHIP 470 0.5% 1/10W			
2480		IFA	RESISTOR		R8003	1-218-696-11	METAL CHIP 1.5K 0.5% 1/10W			
2481		AD	CAPACITOR		C4004	1-162-966-11	CERAMIC CHIP 0.0022UF 10.00% 50V			
2482		AD	CAPACITOR		C4005	1-162-966-11	CERAMIC CHIP 0.0022UF 10.00% 50V			
2483		AD	CAPACITOR		C4024	1-126-204-11	ELECT CHIP 47UF 20.00% 16V			
2484		AD	CAPACITOR		C4025	1-162-974-11	CERAMIC CHIP 0.01UF 50V			
2485		AD	CAPACITOR		C4032	1-164-346-11	CERAMIC CHIP 1UF 16V			
2486		AD	CAPACITOR		C4033	1-164-346-11	CERAMIC CHIP 1UF 16V			
2487		AD	CAPACITOR		C4039	1-117-681-11	ELECT CHIP 100UF 20.00% 16V			
2488		AD	CAPACITOR		C4042	1-162-966-11	CERAMIC CHIP 0.0022UF 10.00% 50V			
2489		AD	CAPACITOR		C4043	1-162-966-11	CERAMIC CHIP 0.0022UF 10.00% 50V			
2490		AD	CAPACITOR		C4044	1-125-837-91	CERAMIC CHIP 1UF 10% 6.3V			
2491		AD	CAPACITOR		C4045	1-124-779-00	ELECT CHIP 10UF 20.00% 16V			
2492		AD	CAPACITOR		C4046	1-125-837-91	CERAMIC CHIP 1UF 10% 6.3V			
2493		AD	CAPACITOR		C4048	1-162-966-11	CERAMIC CHIP 0.0022UF 10.00% 50V			
2494		AD	CAPACITOR		C4049	1-124-779-00	ELECT CHIP 10UF 20.00% 16V			

No.	#	Board	Type	△/*	Ref.No.	Part No.	Description	Remarks-1	Remarks-2	Difference
2495		AD	CAPACITOR		C4051	1-162-966-11	CERAMIC CHIP 0.0022UF 10.00% 50V			
2496		AD	CAPACITOR		C4052	1-125-837-91	CERAMIC CHIP 1UF 10% 6.3V			
2497		AD	CAPACITOR		C4064	1-117-681-11	ELECT CHIP 100UF 20.00% 16V			
2498		AD	CAPACITOR		C4067	1-125-837-91	CERAMIC CHIP 1UF 10% 6.3V			
2499		AD	CAPACITOR		C4071	1-162-966-11	CERAMIC CHIP 0.0022UF 10.00% 50V			
2500		AD	CAPACITOR		C4072	1-162-966-11	CERAMIC CHIP 0.0022UF 10.00% 50V			
2501		AD	CAPACITOR		C4073	1-162-966-11	CERAMIC CHIP 0.0022UF 10.00% 50V			
2502		AD	CAPACITOR		C4074	1-162-966-11	CERAMIC CHIP 0.0022UF 10.00% 50V			
2503		AD	CAPACITOR		C4075	1-162-966-11	CERAMIC CHIP 0.0022UF 10.00% 50V			
2504		AD	CAPACITOR		C4076	1-162-966-11	CERAMIC CHIP 0.0022UF 10.00% 50V			
2505		AD	CAPACITOR		C4201	1-127-573-11	CERAMIC CHIP 1UF 10% 16V			
2506		AD	CAPACITOR		C4202	1-127-573-11	CERAMIC CHIP 1UF 10% 16V			
2507		AD	CAPACITOR		C4203	1-124-779-00	ELECT CHIP 10UF 20.00% 16V			
2508		AD	CAPACITOR		C4204	1-107-826-11	CERAMIC CHIP 0.1UF 10.00% 16V			
2509		AD	CAPACITOR		C4205	1-127-573-11	CERAMIC CHIP 1UF 10% 16V			
2510		AD	CAPACITOR		C4206	1-127-573-11	CERAMIC CHIP 1UF 10% 16V			
2511		AD	CAPACITOR		C4207	1-107-826-11	CERAMIC CHIP 0.1UF 10.00% 16V			
2512		AD	CAPACITOR		C4208	1-124-779-00	ELECT CHIP 10UF 20.00% 16V			
2513		AD	CAPACITOR		C4301	1-117-681-11	ELECT CHIP 100UF 20.00% 16V			
2514		AD	CAPACITOR		C4302	1-126-193-11	ELECT CHIP 1UF 20.00% 50V			
2515		AD	CAPACITOR		C4303	1-164-360-11	CERAMIC CHIP 0.1UF 16V			
2516		AD	CAPACITOR		C4304	1-117-681-11	ELECT CHIP 100UF 20.00% 16V			
2517		AD	CAPACITOR		C4305	1-124-779-00	ELECT CHIP 10UF 20.00% 16V			
2518		AD	CAPACITOR		C4306	1-124-779-00	ELECT CHIP 10UF 20.00% 16V			
2519		AD	CAPACITOR		C4307	1-124-779-00	ELECT CHIP 10UF 20.00% 16V			
2520		AD	CAPACITOR		C4308	1-124-779-00	ELECT CHIP 10UF 20.00% 16V			
2521		AD	CAPACITOR		C4314	1-128-357-11	ELECT CHIP 10UF 20.00% 16V			
2522		AD	CAPACITOR		C4316	1-128-357-11	ELECT CHIP 10UF 20.00% 16V			
2523		AD	CAPACITOR		C4317	1-124-779-00	ELECT CHIP 10UF 20.00% 16V			
2524		AD	CAPACITOR		C4318	1-124-779-00	ELECT CHIP 10UF 20.00% 16V			
2525		AD	CAPACITOR		C4319	1-124-779-00	ELECT CHIP 10UF 20.00% 16V			
2526		AD	CAPACITOR		C4320	1-128-357-11	ELECT CHIP 10UF 20.00% 16V			
2527		AD	CAPACITOR		C4321	1-128-357-11	ELECT CHIP 10UF 20.00% 16V			
2528		AD	CAPACITOR		C4322	1-125-837-91	CERAMIC CHIP 1UF 10% 6.3V			
2529		AD	CAPACITOR		C4324	1-125-837-91	CERAMIC CHIP 1UF 10% 6.3V			
2530		AD	CAPACITOR		C4338	1-117-681-11	ELECT CHIP 100UF 20.00% 16V			
2531		AD	CAPACITOR		C4340	1-128-357-11	ELECT CHIP 10UF 20.00% 16V			
2532		AD	CAPACITOR		C4341	1-128-357-11	ELECT CHIP 10UF 20.00% 16V			
2533		AD	CAPACITOR		C4344	1-115-156-11	CERAMIC CHIP 1UF 10V			
2534		AD	CAPACITOR		C4345	1-162-974-11	CERAMIC CHIP 0.01UF 50V			
2535		AD	CAPACITOR		C4346	1-125-837-91	CERAMIC CHIP 1UF 10% 6.3V			
2536		AD	CAPACITOR		C4347	1-125-837-91	CERAMIC CHIP 1UF 10% 6.3V			
2537		AD	CAPACITOR		C4348	1-124-779-00	ELECT CHIP 10UF 20.00% 16V			

No.	#	Board	Type	△/*	Ref.No.	Part No.	Descrption	Remarks-1	Remarks-2	Difference
2538		AD	CAPACITOR		C4349	1-110-530-11	ELECT CHIP 1000UF 20% 6.3V			
2539		AD	CAPACITOR		C4350	1-124-779-00	ELECT CHIP 10UF 20.00% 16V			
2540		AD	CAPACITOR		C4351	1-110-530-11	ELECT CHIP 1000UF 20% 6.3V			
2541		AD	CAPACITOR		C4352	1-117-681-11	ELECT CHIP 100UF 20.00% 16V			
2542		AD	CAPACITOR		C4353	1-124-779-00	ELECT CHIP 10UF 20.00% 16V			
2543		AD	CAPACITOR		C4354	1-107-826-11	CERAMIC CHIP 0.1UF 10.00% 16V			
2544		AD	CAPACITOR		C4355	1-125-837-91	CERAMIC CHIP 1UF 10% 6.3V			
2545		AD	CAPACITOR		C4356	1-117-681-11	ELECT CHIP 100UF 20.00% 16V			
2546		AD	CAPACITOR		C4358	1-124-779-00	ELECT CHIP 10UF 20.00% 16V			
2547		AD	CAPACITOR		C4359	1-124-779-00	ELECT CHIP 10UF 20.00% 16V			
2548		AD	CAPACITOR		C4363	1-117-681-11	ELECT CHIP 100UF 20.00% 16V			
2549		AD	CAPACITOR		C4364	1-126-603-11	ELECT CHIP 4.7UF 20.00% 35V			
2550		AD	CAPACITOR		C4365	1-127-715-91	CERAMIC CHIP 0.22UF 10% 16V			
2551		AD	CAPACITOR		C4368	1-164-230-11	CERAMIC CHIP 220PF 5.00% 50V			
2552		AD	CAPACITOR		C4369	1-164-230-11	CERAMIC CHIP 220PF 5.00% 50V			
2553		AD	CAPACITOR		C4376	1-164-156-11	CERAMIC CHIP 0.1UF 25V			
2554		AD	CAPACITOR		C4377	1-164-156-11	CERAMIC CHIP 0.1UF 25V			
2555		AD	CAPACITOR		C4511	1-117-681-11	ELECT CHIP 100UF 20.00% 16V			
2556		AD	CAPACITOR		C4512	1-164-156-11	CERAMIC CHIP 0.1UF 25V			
2557		AD	CAPACITOR		C4513	1-162-921-11	CERAMIC CHIP 33PF 5.00% 50V			
2558		AD	CAPACITOR		C4514	1-164-346-11	CERAMIC CHIP 1UF 16V			
2559		AD	CAPACITOR		C4515	1-164-346-11	CERAMIC CHIP 1UF 16V			
2560		AD	CAPACITOR		C4516	1-164-346-11	CERAMIC CHIP 1UF 16V			
2561		AD	CAPACITOR		C4517	1-164-360-11	CERAMIC CHIP 0.1UF 16V			
2562		AD	CAPACITOR		C4518	1-124-779-00	ELECT CHIP 10UF 20.00% 16V			
2563		AD	CAPACITOR		C4520	1-164-156-11	CERAMIC CHIP 0.1UF 25V			
2564		AD	CAPACITOR		C4521	1-125-891-11	CERAMIC CHIP 0.47UF 10.00% 10V			
2565		AD	CAPACITOR		C4522	1-125-891-11	CERAMIC CHIP 0.47UF 10.00% 10V			
2566		AD	CAPACITOR		C4523	1-124-779-00	ELECT CHIP 10UF 20.00% 16V			
2567		AD	CAPACITOR		C4524	1-124-779-00	ELECT CHIP 10UF 20.00% 16V			
2568		AD	CAPACITOR		C4525	1-164-360-11	CERAMIC CHIP 0.1UF 16V			
2569		AD	CAPACITOR		C4526	1-125-891-11	CERAMIC CHIP 0.47UF 10.00% 10V			
2570		AD	CAPACITOR		C4527	1-124-779-00	ELECT CHIP 10UF 20.00% 16V			
2571		AD	CAPACITOR		C4528	1-124-779-00	ELECT CHIP 10UF 20.00% 16V			
2572		AD	CAPACITOR		C4529	1-124-779-00	ELECT CHIP 10UF 20.00% 16V			
2573		AD	CAPACITOR		C4530	1-125-891-11	CERAMIC CHIP 0.47UF 10.00% 10V			
2574		AD	CAPACITOR		C4531	1-124-779-00	ELECT CHIP 10UF 20.00% 16V			
2575		AD	CAPACITOR		C4532	1-124-779-00	ELECT CHIP 10UF 20.00% 16V			
2576		AD	CAPACITOR		C4533	1-125-891-11	CERAMIC CHIP 0.47UF 10.00% 10V			
2577		AD	CAPACITOR		C4534	1-164-360-11	CERAMIC CHIP 0.1UF 16V			
2578		AD	CAPACITOR		C4535	1-125-891-11	CERAMIC CHIP 0.47UF 10.00% 10V			
2579		AD	CAPACITOR		C4536	1-124-779-00	ELECT CHIP 10UF 20.00% 16V			
2580		AD	CAPACITOR		C4537	1-125-891-11	CERAMIC CHIP 0.47UF 10.00% 10V			

No.	#	Board	Type	△/*	Ref.No.	Part No.	Descrption	Remarks-1	Remarks-2	Difference
2581		AD	CAPACITOR		C4538	1-125-891-11	CERAMIC CHIP 0.47UF 10.00% 10V			
2582		AD	CAPACITOR		C4539	1-109-982-11	CERAMIC CHIP 1UF 10.00% 10V			
2583		AD	CAPACITOR		C4540	1-124-779-00	ELECT CHIP 10UF 20.00% 16V			
2584		AD	CAPACITOR		C4541	1-165-669-21	ELECT CHIP 220UF 20% 6.3V			
2585		AD	CAPACITOR		C4542	1-125-891-11	CERAMIC CHIP 0.47UF 10.00% 10V			
2586		AD	CAPACITOR		C4543	1-124-779-00	ELECT CHIP 10UF 20.00% 16V			
2587		AD	CAPACITOR		C4544	1-124-779-00	ELECT CHIP 10UF 20.00% 16V			
2588		AD	CAPACITOR		C4545	1-164-156-11	CERAMIC CHIP 0.1UF 25V			
2589		AD	CAPACITOR		C4546	1-125-891-11	CERAMIC CHIP 0.47UF 10.00% 10V			
2590		AD	CAPACITOR		C4548	1-164-156-11	CERAMIC CHIP 0.1UF 25V			
2591		AD	CAPACITOR		C4549	1-162-970-11	CERAMIC CHIP 0.01UF 10.00% 25V			
2592		AD	CAPACITOR		C4550	1-125-837-91	CERAMIC CHIP 1UF 10% 6.3V			
2593		AD	CAPACITOR		C4551	1-107-826-11	CERAMIC CHIP 0.1UF 10.00% 16V			
2594		AD	CAPACITOR		C4552	1-107-826-11	CERAMIC CHIP 0.1UF 10.00% 16V			
2595		AD	CAPACITOR		C4555	1-164-360-11	CERAMIC CHIP 0.1UF 16V			
2596		AD	CAPACITOR		C4556	1-124-779-00	ELECT CHIP 10UF 20.00% 16V			
2597		AD	CAPACITOR		C7001	1-126-395-11	ELECT CHIP 22UF 20.00% 16V			
2598		AD	CAPACITOR		C7002	1-162-917-11	CERAMIC CHIP 15PF 5.00% 50V			
2599		AD	CAPACITOR		C7003	1-135-595-11	ELECT 100UF 20% 6.3V			
2600		AD	CAPACITOR		C7004	1-162-970-11	CERAMIC CHIP 0.01UF 10.00% 25V			
2601		AD	CAPACITOR		C7005	1-162-970-11	CERAMIC CHIP 0.01UF 10.00% 25V			
2602		AD	CAPACITOR		C7006	1-124-779-00	ELECT CHIP 10UF 20.00% 16V			
2603		AD	CAPACITOR		C7007	1-162-917-11	CERAMIC CHIP 15PF 5.00% 50V			
2604		AD	CAPACITOR		C7008	1-162-970-11	CERAMIC CHIP 0.01UF 10.00% 25V			
2605		AD	CAPACITOR		C7009	1-135-595-11	ELECT 100UF 20% 6.3V			
2606		AD	CAPACITOR		C7010	1-162-970-11	CERAMIC CHIP 0.01UF 10.00% 25V			
2607		AD	CAPACITOR		C7011	1-162-970-11	CERAMIC CHIP 0.01UF 10.00% 25V			
2608		AD	CAPACITOR		C7012	1-124-779-00	ELECT CHIP 10UF 20.00% 16V			
2609		AD	CAPACITOR		C7013	1-162-970-11	CERAMIC CHIP 0.01UF 10.00% 25V			
2610		AD	CAPACITOR		C7014	1-162-970-11	CERAMIC CHIP 0.01UF 10.00% 25V			
2611		AD	CAPACITOR		C7015	1-162-970-11	CERAMIC CHIP 0.01UF 10.00% 25V			
2612		AD	CAPACITOR		C7016	1-162-970-11	CERAMIC CHIP 0.01UF 10.00% 25V			
2613		AD	CAPACITOR		C7017	1-164-156-11	CERAMIC CHIP 0.1UF 25V			
2614		AD	CAPACITOR		C7018	1-162-923-11	CERAMIC CHIP 47PF 5.00% 50V			
2615		AD	CAPACITOR		C7019	1-162-923-11	CERAMIC CHIP 47PF 5.00% 50V			
2616		AD	CAPACITOR		C7020	1-162-923-11	CERAMIC CHIP 47PF 5.00% 50V			
2617		AD	CAPACITOR		C7021	1-124-779-00	ELECT CHIP 10UF 20.00% 16V			
2618		AD	CAPACITOR		C7022	1-115-416-11	CERAMIC CHIP 0.001UF 5.00% 25V			
2619		AD	CAPACITOR		C7023	1-162-927-11	CERAMIC CHIP 100PF 5.00% 50V			
2620		AD	CAPACITOR		C7024	1-124-779-00	ELECT CHIP 10UF 20.00% 16V			
2621		AD	CAPACITOR		C7025	1-164-156-11	CERAMIC CHIP 0.1UF 25V			
2622		AD	CAPACITOR		C7026	1-124-779-00	ELECT CHIP 10UF 20.00% 16V			
2623		AD	CAPACITOR		C7027	1-164-156-11	CERAMIC CHIP 0.1UF 25V			

No.	#	Board	Type	△/*	Ref.No.	Part No.	Description	Remarks-1	Remarks-2	Difference
2624		AD	CAPACITOR		C7028	1-164-156-11	CERAMIC CHIP 0.1UF 25V			
2625		AD	CAPACITOR		C7029	1-162-970-11	CERAMIC CHIP 0.01UF 10.00% 25V			
2626		AD	CAPACITOR		C7030	1-162-927-11	CERAMIC CHIP 100PF 5.00% 50V			
2627		AD	CAPACITOR		C7031	1-162-970-11	CERAMIC CHIP 0.01UF 10.00% 25V			
2628		AD	CAPACITOR		C7032	1-164-156-11	CERAMIC CHIP 0.1UF 25V			
2629		AD	CAPACITOR		C7033	1-124-779-00	ELECT CHIP 10UF 20.00% 16V			
2630		AD	CAPACITOR		C7034	1-162-970-11	CERAMIC CHIP 0.01UF 10.00% 25V			
2631		AD	CAPACITOR		C7035	1-162-970-11	CERAMIC CHIP 0.01UF 10.00% 25V			
2632		AD	CAPACITOR		C7036	1-164-156-11	CERAMIC CHIP 0.1UF 25V			
2633		AD	CAPACITOR		C7037	1-162-970-11	CERAMIC CHIP 0.01UF 10.00% 25V			
2634		AD	CAPACITOR		C7038	1-162-970-11	CERAMIC CHIP 0.01UF 10.00% 25V			
2635		AD	CAPACITOR		C7039	1-126-395-11	ELECT CHIP 22UF 20.00% 16V			
2636		AD	CAPACITOR		C7040	1-162-921-11	CERAMIC CHIP 33PF 5.00% 50V			
2637		AD	CAPACITOR		C7041	1-164-156-11	CERAMIC CHIP 0.1UF 25V			
2638		AD	CAPACITOR		C7042	1-162-970-11	CERAMIC CHIP 0.01UF 10.00% 25V			
2639		AD	CAPACITOR		C7043	1-162-970-11	CERAMIC CHIP 0.01UF 10.00% 25V			
2640		AD	CAPACITOR		C7044	1-162-970-11	CERAMIC CHIP 0.01UF 10.00% 25V			
2641		AD	CAPACITOR		C7045	1-164-156-11	CERAMIC CHIP 0.1UF 25V			
2642		AD	CAPACITOR		C7046	1-162-970-11	CERAMIC CHIP 0.01UF 10.00% 25V			
2643		AD	CAPACITOR		C7047	1-162-970-11	CERAMIC CHIP 0.01UF 10.00% 25V			
2644		AD	CAPACITOR		C7048	1-164-156-11	CERAMIC CHIP 0.1UF 25V			
2645		AD	CAPACITOR		C7049	1-162-970-11	CERAMIC CHIP 0.01UF 10.00% 25V			
2646		AD	CAPACITOR		C7050	1-162-970-11	CERAMIC CHIP 0.01UF 10.00% 25V			
2647		AD	CAPACITOR		C7051	1-162-970-11	CERAMIC CHIP 0.01UF 10.00% 25V			
2648		AD	CAPACITOR		C7052	1-162-970-11	CERAMIC CHIP 0.01UF 10.00% 25V			
2649		AD	CAPACITOR		C7053	1-162-970-11	CERAMIC CHIP 0.01UF 10.00% 25V			
2650		AD	CAPACITOR		C7054	1-124-779-00	ELECT CHIP 10UF 20.00% 16V			
2651		AD	CAPACITOR		C7055	1-128-396-11	ELECT CHIP 470UF 20% 10V			
2652		AD	CAPACITOR		C7056	1-165-643-21	ELECT CHIP 150UF 20% 4V			
2653		AD	CAPACITOR		C7057	1-162-921-11	CERAMIC CHIP 33PF 5.00% 50V			
2654		AD	CAPACITOR		C7058	1-162-970-11	CERAMIC CHIP 0.01UF 10.00% 25V			
2655		AD	CAPACITOR		C7059	1-162-970-11	CERAMIC CHIP 0.01UF 10.00% 25V			
2656		AD	CAPACITOR		C7060	1-162-970-11	CERAMIC CHIP 0.01UF 10.00% 25V			
2657		AD	CAPACITOR		C7061	1-164-156-11	CERAMIC CHIP 0.1UF 25V			
2658		AD	CAPACITOR		C7062	1-162-970-11	CERAMIC CHIP 0.01UF 10.00% 25V			
2659		AD	CAPACITOR		C7064	1-135-595-11	ELECT 100UF 20% 6.3V			
2660		AD	CAPACITOR		C7065	1-162-970-11	CERAMIC CHIP 0.01UF 10.00% 25V			
2661		AD	CAPACITOR		C7066	1-162-970-11	CERAMIC CHIP 0.01UF 10.00% 25V			
2662		AD	CAPACITOR		C7067	1-164-156-11	CERAMIC CHIP 0.1UF 25V			
2663		AD	CAPACITOR		C7068	1-162-970-11	CERAMIC CHIP 0.01UF 10.00% 25V			
2664		AD	CAPACITOR		C7069	1-162-970-11	CERAMIC CHIP 0.01UF 10.00% 25V			
2665		AD	CAPACITOR		C7070	1-164-156-11	CERAMIC CHIP 0.1UF 25V			
2666		AD	CAPACITOR		C7071	1-164-156-11	CERAMIC CHIP 0.1UF 25V			

No.	#	Board	Type	△/*	Ref.No.	Part No.	Description	Remarks-1	Remarks-2	Difference
2667		AD	CAPACITOR		C7072	1-124-779-00	ELECT CHIP 10UF 20.00% 16V			
2668		AD	CAPACITOR		C7073	1-164-156-11	CERAMIC CHIP 0.1UF 25V			
2669		AD	CAPACITOR		C7074	1-162-970-11	CERAMIC CHIP 0.01UF 10.00% 25V			
2670		AD	CAPACITOR		C7075	1-162-970-11	CERAMIC CHIP 0.01UF 10.00% 25V			
2671		AD	CAPACITOR		C7078	1-164-156-11	CERAMIC CHIP 0.1UF 25V			
2672		AD	CAPACITOR		C7079	1-164-156-11	CERAMIC CHIP 0.1UF 25V			
2673		AD	CAPACITOR		C7082	1-164-156-11	CERAMIC CHIP 0.1UF 25V			
2674		AD	CONNECTOR		CN4001	1-817-097-21	PIN, CONNECTOR (1.5MM)(SMD)13P			
2675		AD	CONNECTOR		CN4002	1-794-052-21	FFC/FPC CONNECTOR (LIF(NON-ZIF))32P			
2676		AD	CONNECTOR		CN4003	1-779-339-21	CONNECTOR, FFC/FPC 30P			
2677		AD	CONNECTOR		CN4004	1-779-334-11	CONNECTOR, FFC/FPC 20P			
2678		AD	CONNECTOR		CN4005	1-816-374-21	CONNECTOR, FFC/FPC 40P			
2679		AD	CONNECTOR		CN4301	1-779-329-11	CONNECTOR, FFC/FPC 10P			
2680		AD	CONNECTOR	*	CN4306	1-793-798-21	CONNECTOR, BOARD TO BOARD 50P			
2681		AD	CONNECTOR		CN4501	1-779-338-11	CONNECTOR, FFC/FPC 28P			
2682		AD	CONNECTOR		CN7001	1-816-228-11	CONNECTOR, DVI			
2683		AD	CONNECTOR	*	CN7004	1-564-507-11	PLUG, CONNECTOR 4P			
2684		AD	DIODE		D4007	8-719-081-97	DIODE MMDL914T1			
2685		AD	DIODE		D4301	8-719-914-44	DIODE DAP202K			
2686		AD	DIODE		D4302	8-719-041-97	DIODE MA113-(TX)			
2687		AD	DIODE		D4303	8-719-404-50	DIODE MA111-TX			
2688		AD	DIODE		D4309	8-719-914-43	DIODE DAN202K			
2689		AD	DIODE		D4311	8-719-977-28	DIODE DTZ10B			
2690		AD	DIODE		D4312	8-719-977-28	DIODE DTZ10B			
2691		AD	DIODE		D4313	8-719-977-28	DIODE DTZ10B			
2692		AD	DIODE		D4315	8-719-041-97	DIODE MA113-(TX)			
2693		AD	DIODE		D4317	8-719-050-37	DIODE M1MA152WA-T1			
2694		AD	DIODE		D4319	8-719-041-97	DIODE MA113-(TX)			
2695		AD	DIODE		D4320	8-719-081-97	DIODE MMDL914T1			
2696		AD	DIODE		D4401	8-719-041-97	DIODE MA113-(TX)			
2697		AD	DIODE		D7001	8-719-914-43	DIODE DAN202K			
2698		AD	DIODE		D7002	8-719-069-55	DIODE UDZSTE-175.6B			
2699		AD	DIODE		D7003	8-719-069-55	DIODE UDZSTE-175.6B			
2700		AD	DIODE		D7004	8-719-069-55	DIODE UDZSTE-175.6B			
2701		AD	DIODE		D7005	8-719-977-28	DIODE DTZ10B			
2702		AD	DIODE		D7006	8-719-977-28	DIODE DTZ10B			
2703		AD	DIODE		D7007	8-719-069-55	DIODE UDZSTE-175.6B			
2704		AD	DIODE		D7008	8-719-069-55	DIODE UDZSTE-175.6B			
2705		AD	DIODE		D7009	8-719-069-55	DIODE UDZSTE-175.6B			
2706		AD	FERRITE		FB4501	1-414-228-11	FERRITE 0UH			
2707		AD	FERRITE		FB4502	1-414-228-11	FERRITE 0UH			
2708		AD	FERRITE		FB4503	1-414-228-11	FERRITE 0UH			
2709		AD	FERRITE		FB4504	1-216-864-11	SHORT CHIP 0			

No.	#	Board	Type	△/*	Ref.No.	Part No.	Description	Remarks-1	Remarks-2	Difference
2710		AD	FERRITE		FB4505	1-216-864-11	SHORT CHIP 0			
2711		AD	FERRITE		FB4507	1-414-228-11	FERRITE 0UH			
2712		AD	FERRITE		FB4508	1-469-179-21	FERRITE 0UH			
2713		AD	FERRITE		FB4509	1-469-179-21	FERRITE 0UH			
2714		AD	FERRITE		FB4510	1-414-228-11	FERRITE 0UH			
2715		AD	FERRITE		FB7001	1-414-760-21	FERRITE 0UH			
2716		AD	FERRITE		FB7002	1-414-760-21	FERRITE 0UH			
2717		AD	FERRITE		FB7003	1-414-760-21	FERRITE 0UH			
2718		AD	FERRITE		FB7004	1-414-760-21	FERRITE 0UH			
2719		AD	FERRITE		FB7005	1-469-836-21	FERRITE 0UH			
2720		AD	FERRITE		FB7006	1-469-836-21	FERRITE 0UH			
2721		AD	FERRITE		FB7007	1-414-760-21	FERRITE 0UH			
2722		AD	FERRITE		FB7008	1-414-760-21	FERRITE 0UH			
2723		AD	FERRITE		FB7009	1-469-836-21	FERRITE 0UH			
2724		AD	FILTER		FL4001	1-400-087-21	FILTER, EMI REMOVAL (SMD)			
2725		AD	FILTER		FL4150	1-234-558-21	FILTER, LOW PASS			
2726		AD	FILTER		FL4151	1-234-558-21	FILTER, LOW PASS			
2727		AD	FILTER		FL4501	1-234-557-21	FILTER, LOW PASS			
2728		AD	FILTER		FL4502	1-234-557-21	FILTER, LOW PASS			
2729		AD	FILTER		FL7002	1-234-560-21	FILTER, LOW PASS			
2730		AD	FILTER		FL7003	1-234-559-21	FILTER, LOW PASS			
2731		AD	FILTER		FL7004	1-234-559-21	FILTER, LOW PASS			
2732		AD	IC		IC4001	8-752-080-04	IC CXA2069Q			
2733		AD	IC		IC4301	8-759-278-58	IC NJM4558V-TE2			
2734		AD	IC		IC4303	8-752-080-04	IC CXA2069Q			
2735		AD	IC		IC4306	8-759-683-07	IC BA7622F-E2			
2736		AD	IC		IC4307	8-759-278-58	IC NJM4558V-TE2			
2737		AD	IC		IC4501	8-752-103-44	IC CXA2171Q			
2738		AD	IC		IC4502	8-759-548-56	IC M52055FP			
2739		AD	IC		IC4503	8-759-687-14	IC MAX4451EKA-TG069			
2740		AD	IC		IC4504	8-759-660-21	IC SN74HCT02APWR			
2741		AD	IC		IC7001	8-759-640-39	IC BR24C02F-WE2			
2742		AD	IC		IC7002	8-749-015-18	IC PQ07VZ012ZP			
2743		AD	IC		IC7003	8-749-015-18	IC PQ07VZ012ZP			
2744		AD	IC		IC7004	6-702-080-01	IC GM7030-H			
2745		AD	IC		IC7005	6-802-581-01	IC ST72T631K4M1/NNLTR			
2746		AD	IC		IC7006	8-759-641-86	IC BR24C16F-E2			
2747		AD	IC		IC7007	6-702-170-01	IC PACDN006S			
2748		AD	IC		IC7008	6-702-170-01	IC PACDN006S			
2749		AD	IC		IC7009	6-702-170-01	IC PACDN006S			
2750		AD	SOCKET		J7001	1-794-623-11	JACK, PIN 2P			
2751		AD	COIL		L4001	1-469-856-21	INDUCTOR 10UH			
2752		AD	COIL		L4501	1-469-856-21	INDUCTOR 10UH			



No.	#	Board	Type	△/*	Ref.No.	Part No.	Description	Remarks-1	Remarks-2	Difference
2753		AD	COIL		L4502	1-412-058-11	INDUCTOR 10UH			
2754		AD	COIL		L4503	1-412-058-11	INDUCTOR 10UH			
2755		AD	COIL		L4504	1-412-058-11	INDUCTOR 10UH			
2756		AD	COIL		L4505	1-412-061-21	INDUCTOR 33UH			
2757		AD	COIL		L4506	1-469-856-21	INDUCTOR 10UH			
2758		AD	COIL		L7001	1-469-856-21	INDUCTOR 10UH			
2759		AD	COIL		L7002	1-412-058-11	INDUCTOR 10UH			
2760		AD	COIL		L7003	1-469-856-21	INDUCTOR 10UH			
2761		AD	TRANSISTOR		Q4005	8-729-026-53	TRANSISTOR 2SA1576A-T106-QR			
2762		AD	TRANSISTOR		Q4006	8-729-026-53	TRANSISTOR 2SA1576A-T106-QR			
2763		AD	TRANSISTOR		Q4009	8-729-026-53	TRANSISTOR 2SA1576A-T106-QR			
2764		AD	TRANSISTOR		Q4010	8-729-026-53	TRANSISTOR 2SA1576A-T106-QR			
2765		AD	TRANSISTOR		Q4011	8-729-905-35	TRANSISTOR 2SC4081-R			
2766		AD	TRANSISTOR		Q4012	8-729-905-35	TRANSISTOR 2SC4081-R			
2767		AD	TRANSISTOR		Q4013	8-729-905-35	TRANSISTOR 2SC4081-R			
2768		AD	TRANSISTOR		Q4014	8-729-905-35	TRANSISTOR 2SC4081-R			
2769		AD	TRANSISTOR		Q4201	8-729-010-25	TRANSISTOR MSD601-RT1			
2770		AD	TRANSISTOR		Q4202	8-729-010-25	TRANSISTOR MSD601-RT1			
2771		AD	TRANSISTOR		Q4301	8-729-026-53	TRANSISTOR 2SA1576A-T106-QR			
2772		AD	TRANSISTOR		Q4302	8-729-905-35	TRANSISTOR 2SC4081-R			
2773		AD	TRANSISTOR		Q4303	8-729-905-35	TRANSISTOR 2SC4081-R			
2774		AD	TRANSISTOR		Q4305	8-729-907-00	TRANSISTOR DTC114EU			
2775		AD	TRANSISTOR		Q4308	8-729-905-35	TRANSISTOR 2SC4081-R			
2776		AD	TRANSISTOR		Q4309	8-729-905-35	TRANSISTOR 2SC4081-R			
2777		AD	TRANSISTOR		Q4310	8-729-905-35	TRANSISTOR 2SC4081-R			
2778		AD	TRANSISTOR		Q4312	8-729-026-53	TRANSISTOR 2SA1576A-T106-QR			
2779		AD	TRANSISTOR		Q4313	8-729-905-35	TRANSISTOR 2SC4081-R			
2780		AD	TRANSISTOR		Q4314	8-729-905-35	TRANSISTOR 2SC4081-R			
2781		AD	TRANSISTOR		Q4315	8-729-907-00	TRANSISTOR DTC114EU			
2782		AD	TRANSISTOR		Q4316	8-729-907-00	TRANSISTOR DTC114EU			
2783		AD	TRANSISTOR		Q4321	8-729-026-53	TRANSISTOR 2SA1576A-T106-QR			
2784		AD	TRANSISTOR		Q4401	8-729-026-53	TRANSISTOR 2SA1576A-T106-QR			
2785		AD	TRANSISTOR		Q4501	8-729-905-35	TRANSISTOR 2SC4081-R			
2786		AD	TRANSISTOR		Q4502	8-729-905-35	TRANSISTOR 2SC4081-R			
2787		AD	TRANSISTOR		Q4503	8-729-905-35	TRANSISTOR 2SC4081-R			
2788		AD	TRANSISTOR		Q4504	8-729-026-53	TRANSISTOR 2SA1576A-T106-QR			
2789		AD	TRANSISTOR		Q4505	8-729-026-53	TRANSISTOR 2SA1576A-T106-QR			
2790		AD	TRANSISTOR		Q4506	8-729-026-53	TRANSISTOR 2SA1576A-T106-QR			
2791		AD	TRANSISTOR		Q4507	8-729-026-53	TRANSISTOR 2SA1576A-T106-QR			
2792		AD	TRANSISTOR		Q4508	8-729-026-53	TRANSISTOR 2SA1576A-T106-QR			
2793		AD	TRANSISTOR		Q4509	8-729-026-53	TRANSISTOR 2SA1576A-T106-QR			
2794		AD	TRANSISTOR		Q4510	8-729-905-35	TRANSISTOR 2SC4081-R			
2795		AD	TRANSISTOR		Q4511	8-729-905-35	TRANSISTOR 2SC4081-R			

No.	#	Board	Type	△/*	Ref.No.	Part No.	Description	Remarks-1	Remarks-2	Difference
2796		AD	TRANSISTOR		Q4512	8-729-905-35	TRANSISTOR 2SC4081-R			
2797		AD	TRANSISTOR		Q4513	8-729-026-53	TRANSISTOR 2SA1576A-T106-QR			
2798		AD	TRANSISTOR		Q4514	8-729-026-53	TRANSISTOR 2SA1576A-T106-QR			
2799		AD	TRANSISTOR		Q4515	8-729-026-53	TRANSISTOR 2SA1576A-T106-QR			
2800		AD	TRANSISTOR		Q4516	8-729-026-53	TRANSISTOR 2SA1576A-T106-QR			
2801		AD	TRANSISTOR		Q4519	8-729-907-00	TRANSISTOR DTC114EU			
2802		AD	RESISTOR		R4005	1-216-809-11	METAL CHIP 100 5% 1/10W			
2803		AD	RESISTOR		R4029	1-218-686-11	METAL CHIP 560 0.5% 1/10W			
2804		AD	RESISTOR		R4030	1-218-686-11	METAL CHIP 560 0.5% 1/10W			
2805		AD	RESISTOR		R4034	1-218-710-11	METAL CHIP 5.6K 0.5% 1/10W			
2806		AD	RESISTOR		R4035	1-218-710-11	METAL CHIP 5.6K 0.5% 1/10W			
2807		AD	RESISTOR		R4037	1-216-809-11	METAL CHIP 100 5% 1/10W			
2808		AD	RESISTOR		R4038	1-216-809-11	METAL CHIP 100 5% 1/10W			
2809		AD	RESISTOR		R4039	1-216-049-11	RES-CHIP 1K 5% 1/10W			
2810		AD	RESISTOR		R4040	1-216-049-11	RES-CHIP 1K 5% 1/10W			
2811		AD	RESISTOR		R4044	1-216-805-11	METAL CHIP 47 5% 1/10W			
2812		AD	RESISTOR		R4045	1-216-805-11	METAL CHIP 47 5% 1/10W			
2813		AD	RESISTOR		R4057	1-218-692-11	METAL CHIP 1K 0.5% 1/10W			
2814		AD	RESISTOR		R4058	1-218-692-11	METAL CHIP 1K 0.5% 1/10W			
2815		AD	RESISTOR		R4059	1-218-695-11	METAL CHIP 1.3K 0.5% 1/10W			
2816		AD	RESISTOR		R4060	1-216-049-11	RES-CHIP 1K 5% 1/10W			
2817		AD	RESISTOR		R4061	1-218-695-11	METAL CHIP 1.3K 0.5% 1/10W			
2818		AD	RESISTOR		R4062	1-216-825-11	METAL CHIP 2.2K 5% 1/10W			
2819		AD	RESISTOR		R4063	1-216-825-11	METAL CHIP 2.2K 5% 1/10W			
2820		AD	RESISTOR		R4064	1-216-041-00	RES-CHIP 470 5% 1/10W			
2821		AD	RESISTOR		R4065	1-216-809-11	METAL CHIP 100 5% 1/10W			
2822		AD	RESISTOR		R4066	1-216-049-11	RES-CHIP 1K 5% 1/10W			
2823		AD	RESISTOR		R4067	1-216-041-00	RES-CHIP 470 5% 1/10W			
2824		AD	RESISTOR		R4068	1-216-825-11	METAL CHIP 2.2K 5% 1/10W			
2825		AD	RESISTOR		R4069	1-216-825-11	METAL CHIP 2.2K 5% 1/10W			
2826		AD	RESISTOR		R4070	1-216-809-11	METAL CHIP 100 5% 1/10W			
2827		AD	RESISTOR		R4071	1-216-809-11	METAL CHIP 100 5% 1/10W			
2828		AD	RESISTOR		R4073	1-216-809-11	METAL CHIP 100 5% 1/10W			
2829		AD	RESISTOR		R4075	1-216-809-11	METAL CHIP 100 5% 1/10W			
2830		AD	RESISTOR		R4076	1-216-825-11	METAL CHIP 2.2K 5% 1/10W			
2831		AD	RESISTOR		R4079	1-216-809-11	METAL CHIP 100 5% 1/10W			
2832		AD	RESISTOR		R4080	1-216-825-11	METAL CHIP 2.2K 5% 1/10W			
2833		AD	RESISTOR		R4081	1-216-809-11	METAL CHIP 100 5% 1/10W			
2834		AD	RESISTOR		R4082	1-216-809-11	METAL CHIP 100 5% 1/10W			
2835		AD	RESISTOR		R4084	1-216-821-11	METAL CHIP 1K 5% 1/10W			
2836		AD	RESISTOR		R4085	1-216-821-11	METAL CHIP 1K 5% 1/10W			
2837		AD	RESISTOR		R4087	1-216-809-11	METAL CHIP 100 5% 1/10W			
2838		AD	RESISTOR		R4088	1-216-825-11	METAL CHIP 2.2K 5% 1/10W			

No.	#	Board	Type	△/*	Ref.No.	Part No.	Description	Remarks-1	Remarks-2	Difference
2839		AD	RESISTOR		R4089	1-216-809-11	METAL CHIP 100 5% 1/10W			
2840		AD	RESISTOR		R4090	1-216-825-11	METAL CHIP 2.2K 5% 1/10W			
2841		AD	RESISTOR		R4091	1-216-809-11	METAL CHIP 100 5% 1/10W			
2842		AD	RESISTOR		R4092	1-216-809-11	METAL CHIP 100 5% 1/10W			
2843		AD	RESISTOR		R4093	1-216-809-11	METAL CHIP 100 5% 1/10W			
2844		AD	RESISTOR		R4096	1-216-821-11	METAL CHIP 1K 5% 1/10W			
2845		AD	RESISTOR		R4097	1-216-821-11	METAL CHIP 1K 5% 1/10W			
2846		AD	RESISTOR		R4098	1-216-825-11	METAL CHIP 2.2K 5% 1/10W			
2847		AD	RESISTOR		R4099	1-216-809-11	METAL CHIP 100 5% 1/10W			
2848		AD	RESISTOR		R4100	1-216-825-11	METAL CHIP 2.2K 5% 1/10W			
2849		AD	RESISTOR		R4101	1-216-825-11	METAL CHIP 2.2K 5% 1/10W			
2850		AD	RESISTOR		R4102	1-216-825-11	METAL CHIP 2.2K 5% 1/10W			
2851		AD	RESISTOR		R4103	1-216-821-11	METAL CHIP 1K 5% 1/10W			
2852		AD	RESISTOR		R4104	1-216-821-11	METAL CHIP 1K 5% 1/10W			
2853		AD	RESISTOR		R4105	1-216-809-11	METAL CHIP 100 5% 1/10W			
2854		AD	RESISTOR		R4106	1-216-809-11	METAL CHIP 100 5% 1/10W			
2855		AD	RESISTOR		R4201	1-216-837-11	METAL CHIP 22K 5% 1/10W			
2856		AD	RESISTOR		R4202	1-216-837-11	METAL CHIP 22K 5% 1/10W			
2857		AD	RESISTOR		R4203	1-216-821-11	METAL CHIP 1K 5% 1/10W			
2858		AD	RESISTOR		R4204	1-218-867-11	METAL CHIP 6.8K 0.5% 1/10W			
2859		AD	RESISTOR		R4205	1-216-834-11	METAL CHIP 12K 5% 1/10W			
2860		AD	RESISTOR		R4206	1-216-815-11	METAL CHIP 330 5% 1/10W			
2861		AD	RESISTOR		R4207	1-216-815-11	METAL CHIP 330 5% 1/10W			
2862		AD	RESISTOR		R4208	1-216-833-11	METAL CHIP 10K 5% 1/10W			
2863		AD	RESISTOR		R4209	1-216-833-11	METAL CHIP 10K 5% 1/10W			
2864		AD	RESISTOR		R4210	1-216-821-11	METAL CHIP 1K 5% 1/10W			
2865		AD	RESISTOR		R4211	1-218-867-11	METAL CHIP 6.8K 0.5% 1/10W			
2866		AD	RESISTOR		R4212	1-216-834-11	METAL CHIP 12K 5% 1/10W			
2867		AD	RESISTOR		R4301	1-216-825-11	METAL CHIP 2.2K 5% 1/10W			
2868		AD	RESISTOR		R4302	1-216-825-11	METAL CHIP 2.2K 5% 1/10W			
2869		AD	RESISTOR		R4303	1-216-037-00	RES-CHIP 330 5% 1/10W			
2870		AD	RESISTOR		R4304	1-216-037-00	RES-CHIP 330 5% 1/10W			
2871		AD	RESISTOR		R4305	1-216-837-11	METAL CHIP 22K 5% 1/10W			
2872		AD	RESISTOR		R4306	1-216-857-11	METAL CHIP 1M 5% 1/10W			
2873		AD	RESISTOR		R4307	1-216-815-11	METAL CHIP 330 5% 1/10W			
2874		AD	RESISTOR		R4308	1-216-815-11	METAL CHIP 330 5% 1/10W			
2875		AD	RESISTOR		R4309	1-216-864-11	SHORT CHIP 0			
2876		AD	RESISTOR		R4311	1-216-853-11	METAL CHIP 470K 5% 1/10W			
2877		AD	RESISTOR		R4312	1-216-853-11	METAL CHIP 470K 5% 1/10W			
2878		AD	RESISTOR		R4314	1-216-841-11	METAL CHIP 47K 5% 1/10W			
2879		AD	RESISTOR		R4316	1-216-809-11	METAL CHIP 100 5% 1/10W			
2880		AD	RESISTOR		R4317	1-216-809-11	METAL CHIP 100 5% 1/10W			
2881		AD	RESISTOR		R4318	1-216-809-11	METAL CHIP 100 5% 1/10W			

No.	#	Board	Type	△/*	Ref.No.	Part No.	Description	Remarks-1	Remarks-2	Difference
2882		AD	RESISTOR		R4319	1-216-809-11	METAL CHIP 100 5% 1/10W			
2883		AD	RESISTOR		R4322	1-216-809-11	METAL CHIP 100 5% 1/10W			
2884		AD	RESISTOR		R4325	1-216-821-11	METAL CHIP 1K 5% 1/10W			
2885		AD	RESISTOR		R4326	1-218-684-11	METAL CHIP 470 0.5% 1/10W			
2886		AD	RESISTOR		R4327	1-218-684-11	METAL CHIP 470 0.5% 1/10W			
2887		AD	RESISTOR		R4328	1-218-685-11	METAL CHIP 510 0.5% 1/10W			
2888		AD	RESISTOR		R4329	1-216-821-11	METAL CHIP 1K 5% 1/10W			
2889		AD	RESISTOR		R4330	1-216-821-11	METAL CHIP 1K 5% 1/10W			
2890		AD	RESISTOR		R4331	1-216-809-11	METAL CHIP 100 5% 1/10W			
2891		AD	RESISTOR		R4332	1-216-809-11	METAL CHIP 100 5% 1/10W			
2892		AD	RESISTOR		R4335	1-216-825-11	METAL CHIP 2.2K 5% 1/10W			
2893		AD	RESISTOR		R4336	1-216-825-11	METAL CHIP 2.2K 5% 1/10W			
2894		AD	RESISTOR		R4343	1-216-825-11	METAL CHIP 2.2K 5% 1/10W			
2895		AD	RESISTOR		R4345	1-216-825-11	METAL CHIP 2.2K 5% 1/10W			
2896		AD	RESISTOR		R4352	1-216-809-11	METAL CHIP 100 5% 1/10W			
2897		AD	RESISTOR		R4358	1-216-809-11	METAL CHIP 100 5% 1/10W			
2898		AD	RESISTOR		R4367	1-216-825-11	METAL CHIP 2.2K 5% 1/10W			
2899		AD	RESISTOR		R4369	1-216-825-11	METAL CHIP 2.2K 5% 1/10W			
2900		AD	RESISTOR		R4370	1-216-809-11	METAL CHIP 100 5% 1/10W			
2901		AD	RESISTOR		R4371	1-216-809-11	METAL CHIP 100 5% 1/10W			
2902		AD	RESISTOR		R4374	1-216-825-11	METAL CHIP 2.2K 5% 1/10W			
2903		AD	RESISTOR		R4375	1-216-825-11	METAL CHIP 2.2K 5% 1/10W			
2904		AD	RESISTOR		R4379	1-216-829-11	METAL CHIP 4.7K 5% 1/10W			
2905		AD	RESISTOR		R4380	1-216-809-11	METAL CHIP 100 5% 1/10W			
2906		AD	RESISTOR		R4381	1-218-665-11	METAL CHIP 75 0.5% 1/10W			
2907		AD	RESISTOR		R4382	1-216-809-11	METAL CHIP 100 5% 1/10W			
2908		AD	RESISTOR		R4383	1-218-665-11	METAL CHIP 75 0.5% 1/10W			
2909		AD	RESISTOR		R4384	1-216-809-11	METAL CHIP 100 5% 1/10W			
2910		AD	RESISTOR		R4385	1-218-665-11	METAL CHIP 75 0.5% 1/10W			
2911		AD	RESISTOR		R4387	1-218-685-11	METAL CHIP 510 0.5% 1/10W			
2912		AD	RESISTOR		R4388	1-218-693-11	METAL CHIP 1.1K 0.5% 1/10W			
2913		AD	RESISTOR		R4389	1-218-692-11	METAL CHIP 1K 0.5% 1/10W			
2914		AD	RESISTOR		R4392	1-216-864-11	SHORT CHIP 0			
2915		AD	RESISTOR		R4393	1-216-864-11	SHORT CHIP 0			
2916		AD	RESISTOR		R4399	1-216-853-11	METAL CHIP 470K 5% 1/10W			
2917		AD	RESISTOR		R4400	1-216-853-11	METAL CHIP 470K 5% 1/10W			
2918		AD	RESISTOR		R4401	1-216-061-91	RES-CHIP 3.3K 5% 1/10W			
2919		AD	RESISTOR		R4402	1-216-061-91	RES-CHIP 3.3K 5% 1/10W			
2920		AD	RESISTOR		R4405	1-216-857-11	METAL CHIP 1M 5% 1/10W			
2921		AD	RESISTOR		R4406	1-216-825-11	METAL CHIP 2.2K 5% 1/10W			
2922		AD	RESISTOR		R4407	1-216-825-11	METAL CHIP 2.2K 5% 1/10W			
2923		AD	RESISTOR		R4408	1-216-837-11	METAL CHIP 22K 5% 1/10W			
2924		AD	RESISTOR		R4409	1-216-864-11	SHORT CHIP 0			

No.	#	Board	Type	△/*	Ref.No.	Part No.	Descrption	Remarks-1	Remarks-2	Difference
2925		AD	RESISTOR		R4410	1-216-841-11	METAL CHIP 47K 5% 1/10W			
2926		AD	RESISTOR		R4411	1-216-833-11	METAL CHIP 10K 5% 1/10W			
2927		AD	RESISTOR		R4417	1-216-864-11	SHORT CHIP 0			
2928		AD	RESISTOR		R4418	1-216-864-11	SHORT CHIP 0			
2929		AD	RESISTOR		R4428	1-216-841-11	METAL CHIP 47K 5% 1/10W			
2930		AD	RESISTOR		R4430	1-216-809-11	METAL CHIP 100 5% 1/10W			
2931		AD	RESISTOR		R4431	1-216-841-11	METAL CHIP 47K 5% 1/10W			
2932		AD	RESISTOR		R4432	1-216-809-11	METAL CHIP 100 5% 1/10W			
2933		AD	RESISTOR		R4433	1-216-864-11	SHORT CHIP 0			
2934		AD	RESISTOR		R4434	1-216-864-11	SHORT CHIP 0			
2935		AD	RESISTOR		R4435	1-216-864-11	SHORT CHIP 0			
2936		AD	RESISTOR		R4436	1-216-864-11	SHORT CHIP 0			
2937		AD	RESISTOR		R4437	1-216-836-11	METAL CHIP 18K 5% 1/10W			
2938		AD	RESISTOR		R4438	1-216-838-11	METAL CHIP 27K 5% 1/10W			
2939		AD	RESISTOR		R4439	1-216-838-11	METAL CHIP 27K 5% 1/10W			
2940		AD	RESISTOR		R4440	1-216-836-11	METAL CHIP 18K 5% 1/10W			
2941		AD	RESISTOR		R4501	1-216-864-11	SHORT CHIP 0			
2942		AD	RESISTOR		R4507	1-216-809-11	METAL CHIP 100 5% 1/10W			
2943		AD	RESISTOR		R4508	1-216-809-11	METAL CHIP 100 5% 1/10W			
2944		AD	RESISTOR		R4509	1-216-809-11	METAL CHIP 100 5% 1/10W			
2945		AD	RESISTOR		R4510	1-216-817-11	METAL CHIP 470 5% 1/10W			
2946		AD	RESISTOR		R4511	1-216-817-11	METAL CHIP 470 5% 1/10W			
2947		AD	RESISTOR		R4512	1-216-817-11	METAL CHIP 470 5% 1/10W			
2948		AD	RESISTOR		R4513	1-218-686-11	METAL CHIP 560 0.5% 1/10W			
2949		AD	RESISTOR		R4514	1-218-686-11	METAL CHIP 560 0.5% 1/10W			
2950		AD	RESISTOR		R4515	1-218-686-11	METAL CHIP 560 0.5% 1/10W			
2951		AD	RESISTOR		R4516	1-218-710-11	METAL CHIP 5.6K 0.5% 1/10W			
2952		AD	RESISTOR		R4517	1-218-710-11	METAL CHIP 5.6K 0.5% 1/10W			
2953		AD	RESISTOR		R4518	1-218-710-11	METAL CHIP 5.6K 0.5% 1/10W			
2954		AD	RESISTOR		R4519	1-216-809-11	METAL CHIP 100 5% 1/10W			
2955		AD	RESISTOR		R4520	1-216-809-11	METAL CHIP 100 5% 1/10W			
2956		AD	RESISTOR		R4521	1-216-809-11	METAL CHIP 100 5% 1/10W			
2957		AD	RESISTOR		R4522	1-216-053-00	RES-CHIP 1.5K 5% 1/10W			
2958		AD	RESISTOR		R4523	1-216-053-00	RES-CHIP 1.5K 5% 1/10W			
2959		AD	RESISTOR		R4524	1-216-053-00	RES-CHIP 1.5K 5% 1/10W			
2960		AD	RESISTOR		R4525	1-216-864-11	SHORT CHIP 0			
2961		AD	RESISTOR		R4526	1-216-864-11	SHORT CHIP 0			
2962		AD	RESISTOR		R4527	1-218-666-11	METAL CHIP 82 0.5% 1/10W			
2963		AD	RESISTOR		R4528	1-218-668-11	METAL CHIP 100 0.5% 1/10W			
2964		AD	RESISTOR		R4529	1-218-668-11	METAL CHIP 100 0.5% 1/10W			
2965		AD	RESISTOR		R4531	1-218-668-11	METAL CHIP 100 0.5% 1/10W			
2966		AD	RESISTOR		R4532	1-218-669-11	METAL CHIP 110 0.5% 1/10W			
2967		AD	RESISTOR		R4533	1-216-651-11	METAL CHIP 1K 0.5% 1/10W			

No.	#	Board	Type	△/*	Ref.No.	Part No.	Description	Remarks-1	Remarks-2	Difference
2968		AD	RESISTOR		R4534	1-218-669-11	METAL CHIP 110 0.5% 1/10W			
2969		AD	RESISTOR		R4535	1-216-651-11	METAL CHIP 1K 0.5% 1/10W			
2970		AD	RESISTOR		R4536	1-218-669-11	METAL CHIP 110 0.5% 1/10W			
2971		AD	RESISTOR		R4537	1-216-651-11	METAL CHIP 1K 0.5% 1/10W			
2972		AD	RESISTOR		R4538	1-216-823-11	METAL CHIP 1.5K 5% 1/10W			
2973		AD	RESISTOR		R4539	1-216-823-11	METAL CHIP 1.5K 5% 1/10W			
2974		AD	RESISTOR		R4540	1-216-823-11	METAL CHIP 1.5K 5% 1/10W			
2975		AD	RESISTOR		R4541	1-218-285-11	METAL CHIP 75 5% 1/10W			
2976		AD	RESISTOR		R4545	1-216-809-11	METAL CHIP 100 5% 1/10W			
2977		AD	RESISTOR		R4546	1-216-809-11	METAL CHIP 100 5% 1/10W			
2978		AD	RESISTOR		R4547	1-216-809-11	METAL CHIP 100 5% 1/10W			
2979		AD	RESISTOR		R4548	1-216-809-11	METAL CHIP 100 5% 1/10W			
2980		AD	RESISTOR		R4549	1-216-809-11	METAL CHIP 100 5% 1/10W			
2981		AD	RESISTOR		R4550	1-216-809-11	METAL CHIP 100 5% 1/10W			
2982		AD	RESISTOR		R4551	1-216-809-11	METAL CHIP 100 5% 1/10W			
2983		AD	RESISTOR		R4554	1-216-864-11	SHORT CHIP 0			
2984		AD	RESISTOR		R4555	1-216-809-11	METAL CHIP 100 5% 1/10W			
2985		AD	RESISTOR		R4556	1-216-833-11	METAL CHIP 10K 5% 1/10W			
2986		AD	RESISTOR		R4557	1-216-809-11	METAL CHIP 100 5% 1/10W			
2987		AD	RESISTOR		R4558	1-216-809-11	METAL CHIP 100 5% 1/10W			
2988		AD	RESISTOR		R4559	1-218-285-11	METAL CHIP 75 5% 1/10W			
2989		AD	RESISTOR		R4560	1-218-285-11	METAL CHIP 75 5% 1/10W			
2990		AD	RESISTOR		R4561	1-216-805-11	METAL CHIP 47 5% 1/10W			
2991		AD	RESISTOR		R4562	1-216-809-11	METAL CHIP 100 5% 1/10W			
2992		AD	RESISTOR		R4563	1-216-805-11	METAL CHIP 47 5% 1/10W			
2993		AD	RESISTOR		R4564	1-216-809-11	METAL CHIP 100 5% 1/10W			
2994		AD	RESISTOR		R4565	1-216-851-11	METAL CHIP 330K 5% 1/10W			
2995		AD	RESISTOR		R4566	1-216-809-11	METAL CHIP 100 5% 1/10W			
2996		AD	RESISTOR		R4567	1-216-864-11	SHORT CHIP 0			
2997		AD	RESISTOR		R4568	1-218-652-11	METAL CHIP 22 0.5% 1/10W			
2998		AD	RESISTOR		R4569	1-218-285-11	METAL CHIP 75 5% 1/10W			
2999		AD	RESISTOR		R4570	1-216-821-11	METAL CHIP 1K 5% 1/10W			
3000		AD	RESISTOR		R4571	1-216-821-11	METAL CHIP 1K 5% 1/10W			
3001		AD	RESISTOR		R4572	1-216-821-11	METAL CHIP 1K 5% 1/10W			
3002		AD	RESISTOR		R4573	1-218-693-11	METAL CHIP 1.1K 0.5% 1/10W			
3003		AD	RESISTOR		R4574	1-218-716-11	METAL CHIP 10K 0.5% 1/10W			
3004		AD	RESISTOR		R4575	1-216-821-11	METAL CHIP 1K 5% 1/10W			
3005		AD	RESISTOR		R4577	1-216-797-11	METAL CHIP 10 5% 1/10W			
3006		AD	RESISTOR		R4579	1-218-668-11	METAL CHIP 100 0.5% 1/10W			
3007		AD	RESISTOR		R4580	1-218-668-11	METAL CHIP 100 0.5% 1/10W			
3008		AD	RESISTOR		R4581	1-218-668-11	METAL CHIP 100 0.5% 1/10W			
3009		AD	RESISTOR		R4582	1-216-053-00	RES-CHIP 1.5K 5% 1/10W			
3010		AD	RESISTOR		R4583	1-216-053-00	RES-CHIP 1.5K 5% 1/10W			

No.	#	Board	Type	△/*	Ref.No.	Part No.	Descrption	Remarks-1	Remarks-2	Difference
3011		AD	RESISTOR		R4584	1-216-806-11	METAL CHIP 56 5% 1/10W			
3012		AD	RESISTOR		R4585	1-216-806-11	METAL CHIP 56 5% 1/10W			
3013		AD	RESISTOR		R4586	1-216-041-00	RES-CHIP 470 5% 1/10W			
3014		AD	RESISTOR		R4587	1-216-806-11	METAL CHIP 56 5% 1/10W			
3015		AD	RESISTOR		R4589	1-216-809-11	METAL CHIP 100 5% 1/10W			
3016		AD	RESISTOR		R4596	1-216-295-91	SHORT CHIP 0			
3017		AD	RESISTOR		R7003	1-216-821-11	METAL CHIP 1K 5% 1/10W			
3018		AD	RESISTOR		R7004	1-218-852-11	METAL CHIP 1.6K 0.5% 1/10W			
3019		AD	RESISTOR		R7005	1-216-833-11	METAL CHIP 10K 5% 1/10W			
3020		AD	RESISTOR		R7006	1-216-833-11	METAL CHIP 10K 5% 1/10W			
3021		AD	RESISTOR		R7007	1-216-821-11	METAL CHIP 1K 5% 1/10W			
3022		AD	RESISTOR		R7011	1-216-849-11	METAL CHIP 220K 5% 1/10W			
3023		AD	RESISTOR		R7012	1-216-821-11	METAL CHIP 1K 5% 1/10W			
3024		AD	RESISTOR		R7013	1-216-821-11	METAL CHIP 1K 5% 1/10W			
3025		AD	RESISTOR		R7014	1-216-821-11	METAL CHIP 1K 5% 1/10W			
3026		AD	RESISTOR		R7015	1-216-833-11	METAL CHIP 10K 5% 1/10W			
3027		AD	RESISTOR		R7016	1-216-833-11	METAL CHIP 10K 5% 1/10W			
3028		AD	RESISTOR		R7020	1-216-833-11	METAL CHIP 10K 5% 1/10W			
3029		AD	RESISTOR		R7021	1-216-833-11	METAL CHIP 10K 5% 1/10W			
3030		AD	RESISTOR		R7022	1-216-849-11	METAL CHIP 220K 5% 1/10W			
3031		AD	RESISTOR		R7023	1-216-833-11	METAL CHIP 10K 5% 1/10W			
3032		AD	RESISTOR		R7024	1-216-833-11	METAL CHIP 10K 5% 1/10W			
3033		AD	RESISTOR		R7025	1-216-833-11	METAL CHIP 10K 5% 1/10W			
3034		AD	RESISTOR		R7026	1-216-833-11	METAL CHIP 10K 5% 1/10W			
3035		AD	RESISTOR		R7029	1-218-692-11	METAL CHIP 1K 0.5% 1/10W			
3036		AD	RESISTOR		R7030	1-414-760-21	FERRITE 0UH			
3037		AD	RESISTOR		R7032	1-218-676-11	METAL CHIP 220 0.5% 1/10W			
3038		AD	RESISTOR		R7034	1-218-676-11	METAL CHIP 220 0.5% 1/10W			
3039		AD	RESISTOR		R7036	1-218-704-11	METAL CHIP 3.3K 0.5% 1/10W			
3040		AD	RESISTOR		R7037	1-218-676-11	METAL CHIP 220 0.5% 1/10W			
3041		AD	RESISTOR		R7040	1-216-837-11	METAL CHIP 22K 5% 1/10W			
3042		AD	RESISTOR		R7041	1-216-833-11	METAL CHIP 10K 5% 1/10W			
3043		AD	RESISTOR		R7043	1-216-829-11	METAL CHIP 4.7K 5% 1/10W			
3044		AD	RESISTOR		R7044	1-216-829-11	METAL CHIP 4.7K 5% 1/10W			
3045		AD	RESISTOR		R7045	1-216-837-11	METAL CHIP 22K 5% 1/10W			
3046		AD	RESISTOR		R7047	1-216-833-11	METAL CHIP 10K 5% 1/10W			
3047		AD	RESISTOR		R7051	1-216-864-11	SHORT CHIP 0			
3048		AD	RESISTOR		R7053	1-216-833-11	METAL CHIP 10K 5% 1/10W			
3049		AD	RESISTOR		R7054	1-216-833-11	METAL CHIP 10K 5% 1/10W			
3050		AD	RESISTOR		R7056	1-216-833-11	METAL CHIP 10K 5% 1/10W			
3051		AD	RESISTOR		R7057	1-414-760-21	FERRITE 0UH			
3052		AD	RESISTOR		R7058	1-216-833-11	METAL CHIP 10K 5% 1/10W			
3053		AD	RESISTOR		R7060	1-216-833-11	METAL CHIP 10K 5% 1/10W			

No.	#	Board	Type	△/*	Ref.No.	Part No.	Descrption	Remarks-1	Remarks-2	Difference
3054		AD	RESISTOR		R7061	1-216-833-11	METAL CHIP 10K 5% 1/10W			
3055		AD	RESISTOR		R7062	1-414-760-21	FERRITE 0UH			
3056		AD	RESISTOR		R7063	1-216-809-11	METAL CHIP 100 5% 1/10W			
3057		AD	RESISTOR		R7064	1-216-809-11	METAL CHIP 100 5% 1/10W			
3058		AD	RESISTOR		R7066	1-218-694-11	METAL CHIP 1.2K 0.5% 1/10W			
3059		AD	RESISTOR		R7067	1-216-833-11	METAL CHIP 10K 5% 1/10W			
3060		AD	RESISTOR		R7068	1-216-805-11	METAL CHIP 47 5% 1/10W			
3061		AD	RESISTOR		R7069	1-216-805-11	METAL CHIP 47 5% 1/10W			
3062		AD	RESISTOR		R7070	1-216-864-11	SHORT CHIP 0			
3063		AD	RESISTOR		R7071	1-216-803-11	METAL CHIP 33 5% 1/10W			
3064		AD	RESISTOR		R7072	1-216-803-11	METAL CHIP 33 5% 1/10W			
3065		AD	RESISTOR		R7073	1-216-806-11	METAL CHIP 56 5% 1/10W			
3066		AD	RESISTOR		R7074	1-216-806-11	METAL CHIP 56 5% 1/10W			
3067		AD	RESISTOR		R7075	1-218-676-11	METAL CHIP 220 0.5% 1/10W			
3068		AD	RESISTOR		R7080	1-218-680-11	METAL CHIP 330 0.5% 1/10W			
3069		AD	RESISTOR		R7087	1-218-680-11	METAL CHIP 330 0.5% 1/10W			
3070		AD	RESISTOR		R7096	1-216-833-11	METAL CHIP 10K 5% 1/10W			
3071		AD	RESISTOR		R7097	1-216-805-11	METAL CHIP 47 5% 1/10W			
3072		AD	RESISTOR		R7098	1-216-805-11	METAL CHIP 47 5% 1/10W			
3073		AD	RESISTOR		R7099	1-216-805-11	METAL CHIP 47 5% 1/10W			
3074		AD	RESISTOR		R7101	1-216-864-11	SHORT CHIP 0			
3075		AD	RESISTOR		R7106	1-216-833-11	METAL CHIP 10K 5% 1/10W			
3076		AD	RESISTOR		R7108	1-216-805-11	METAL CHIP 47 5% 1/10W			
3077		AD	RESISTOR		R7109	1-216-805-11	METAL CHIP 47 5% 1/10W			
3078		AD	RESISTOR		R7111	1-216-864-11	SHORT CHIP 0			
3079		AD	RESISTOR		R7112	1-216-864-11	SHORT CHIP 0			
3080		AD	RESISTOR		R7113	1-216-864-11	SHORT CHIP 0			
3081		AD	RESISTOR		R7114	1-218-700-11	METAL CHIP 2.2K 0.5% 1/10W			
3082		AD	RESISTOR		R7115	1-218-700-11	METAL CHIP 2.2K 0.5% 1/10W			
3083		AD	RESISTOR		R7116	1-218-700-11	METAL CHIP 2.2K 0.5% 1/10W			
3084		AD	RESISTOR		R7117	1-218-668-11	METAL CHIP 100 0.5% 1/10W			
3085		AD	RESISTOR		R7119	1-218-668-11	METAL CHIP 100 0.5% 1/10W			
3086		AD	RESISTOR		R7121	1-216-864-11	SHORT CHIP 0			
3087		AD	RESISTOR		R7123	1-218-704-11	METAL CHIP 3.3K 0.5% 1/10W			
3088		AD	RESISTOR		R7124	1-218-704-11	METAL CHIP 3.3K 0.5% 1/10W			
3089		AD	RESISTOR		R7125	1-218-700-11	METAL CHIP 2.2K 0.5% 1/10W			
3090		AD	CRYSTAL		X4501	1-795-214-21	VIBRATOR, CERAMIC (4MHZ)			
3091		AD	CRYSTAL		X7001	1-795-568-21	VIBRATOR, CRYSTAL			
3092		AD	CRYSTAL		X7002	1-795-567-21	VIBRATOR, CRYSTAL			
3093		MS2	CAPACITOR		C1405	1-164-156-11	CERAMIC CHIP 0.1UF 25V			
3094		MS2	CAPACITOR		C1406	1-163-021-91	CERAMIC CHIP 0.01UF 10.00% 50V			
3095		MS2	CAPACITOR		C1408	1-124-779-00	ELECT CHIP 10UF 20.00% 16V			
3096		MS2	CAPACITOR		C1409	1-164-156-11	CERAMIC CHIP 0.1UF 25V			



No.	#	Board	Type	△/*	Ref.No.	Part No.	Description	Remarks-1	Remarks-2	Difference
3097		MS2	CAPACITOR		C1410	1-163-021-91	CERAMIC CHIP 0.01UF 10.00% 50V			
3098		MS2	CAPACITOR		C1412	1-164-156-11	CERAMIC CHIP 0.1UF 25V			
3099		MS2	CAPACITOR		C1413	1-126-390-11	ELECT CHIP 22UF 20.00% 6.3V			
3100		MS2	CAPACITOR		C1414	1-107-826-11	CERAMIC CHIP 0.1UF 10.00% 16V			
3101		MS2	CAPACITOR		C1415	1-107-826-11	CERAMIC CHIP 0.1UF 10.00% 16V			
3102		MS2	CAPACITOR		C1416	1-107-826-11	CERAMIC CHIP 0.1UF 10.00% 16V			
3103		MS2	CAPACITOR		C1417	1-126-390-11	ELECT CHIP 22UF 20.00% 6.3V			
3104		MS2	CAPACITOR		C1419	1-162-970-11	CERAMIC CHIP 0.01UF 10.00% 25V			
3105		MS2	CAPACITOR		C1420	1-162-970-11	CERAMIC CHIP 0.01UF 10.00% 25V			
3106		MS2	CONNECTOR	*	CN1401	1-816-402-12	CONNECTOR, MEMORY STICK			
3107		MS2	CONNECTOR	*	CN1402	1-816-124-11	PIN, CONNECTOR (FOR PWB) 18P			
3108		MS2	CONNECTOR		CN1404	1-695-915-11	TAB (CONTACT)			
3109		MS2	DIODE		D1401	8-719-421-69	DIODE MA133			
3110		MS2	DIODE		D1402	8-719-421-69	DIODE MA133			
3111		MS2	DIODE		D1403	8-719-421-69	DIODE MA133			
3112		MS2	DIODE		D1404	8-719-421-69	DIODE MA133			
3113		MS2	DIODE		D1405	8-719-421-69	DIODE MA133			
3114		MS2	DIODE		D1406	8-719-421-69	DIODE MA133			
3115		MS2	DIODE		D1407	8-719-421-69	DIODE MA133			
3116		MS2	DIODE		D1408	8-719-421-69	DIODE MA133			
3117		MS2	DIODE		D1409	6-500-348-01	DIODE KPA-3010ID-GEC			
3118		MS2	DIODE		D1410	8-719-083-58	DIODE UDZSTE-173.9B			
3119		MS2	DIODE		D1411	8-719-083-58	DIODE UDZSTE-173.9B			
3120		MS2	DIODE		D1412	8-719-421-69	DIODE MA133			
3121		MS2	DIODE		D1413	8-719-421-69	DIODE MA133			
3122		MS2	DIODE		D1414	8-719-421-69	DIODE MA133			
3123		MS2	DIODE		D1415	8-719-421-69	DIODE MA133			
3124		MS2	DIODE		D1416	8-719-421-69	DIODE MA133			
3125		MS2	DIODE		D1417	8-719-421-69	DIODE MA133			
3126		MS2	FERRITE		FB1401	1-414-921-11	FERRITE 0UH			
3127		MS2	FERRITE		FB1402	1-414-921-11	FERRITE 0UH			
3128		MS2	FERRITE		FB1403	1-414-921-11	FERRITE 0UH			
3129		MS2	FERRITE		FB1404	1-414-921-11	FERRITE 0UH			
3130		MS2	IC		IC1401	8-759-639-86	IC SN65LVDS32DR			
3131		MS2	IC		IC1402	6-702-546-11	IC SN65LVDS1DR			
3132		MS2	IC		IC1403	8-759-698-08	IC SN74CBTLV1G125DCKR			
3133		MS2	COIL		L1401	1-419-370-21	INDUCTOR 0UH			
3134		MS2	COIL		L1402	1-419-370-21	INDUCTOR 0UH			
3135		MS2	COIL		L1403	1-419-370-21	INDUCTOR 0UH			
3136		MS2	COIL		L1404	1-419-370-21	INDUCTOR 0UH			
3137		MS2	COIL		L1405	1-419-370-21	INDUCTOR 0UH			
3138		MS2	TRANSISTOR		Q1401	8-729-140-63	TRANSISTOR 2SA1611-M5M6			
3139		MS2	TRANSISTOR		Q1402	8-729-029-14	TRANSISTOR DTC144EUA-T106			

No.	#	Board	Type	△/*	Ref.No.	Part No.	Descrption	Remarks-1	Remarks-2	Difference
3140		MS2	TRANSISTOR		Q1403	8-729-216-22	TRANSISTOR 2SA1162-G			
3141		MS2	RESISTOR		R1401	1-216-801-11	METAL CHIP 22 5% 1/10W			
3142		MS2	RESISTOR		R1402	1-216-801-11	METAL CHIP 22 5% 1/10W			
3143		MS2	RESISTOR		R1403	1-216-801-11	METAL CHIP 22 5% 1/10W			
3144		MS2	RESISTOR		R1404	1-216-801-11	METAL CHIP 22 5% 1/10W			
3145		MS2	RESISTOR		R1405	1-218-692-11	METAL CHIP 1K 0.5% 1/10W			
3146		MS2	RESISTOR		R1406	1-216-809-11	METAL CHIP 100 5% 1/10W			
3147		MS2	RESISTOR		R1407	1-216-809-11	METAL CHIP 100 5% 1/10W			
3148		MS2	RESISTOR		R1408	1-216-809-11	METAL CHIP 100 5% 1/10W			
3149		MS2	RESISTOR		R1409	1-216-809-11	METAL CHIP 100 5% 1/10W			
3150		MS2	RESISTOR		R1410	1-216-803-11	METAL CHIP 33 5% 1/10W			
3151		MS2	RESISTOR		R1421	1-216-821-11	METAL CHIP 1K 5% 1/10W			
3152		MS2	RESISTOR		R1422	1-216-809-11	METAL CHIP 100 5% 1/10W			
3153		MS2	RESISTOR		R1424	1-216-833-11	METAL CHIP 10K 5% 1/10W			
3154		MS2	RESISTOR		R1425	1-216-845-11	METAL CHIP 100K 5% 1/10W			
3155		MS2	RESISTOR		R1426	1-218-871-11	METAL CHIP 10K 0.5% 1/10W			
3156		MS2	RESISTOR		R1428	1-216-864-11	SHORT CHIP 0			
3157		MS2	RESISTOR		R1431	1-216-864-11	SHORT CHIP 0			
3158		BM1C	CAPACITOR		C103	1-162-970-11	CERAMIC CHIP 0.01UF 10.00% 25V			
3159		BM1C	CAPACITOR		C105	1-107-826-11	CERAMIC CHIP 0.1UF 10.00% 16V			
3160		BM1C	CAPACITOR		C106	1-164-156-11	CERAMIC CHIP 0.1UF 25V			
3161		BM1C	CAPACITOR		C107	1-126-390-11	ELECT CHIP 22UF 20.00% 6.3V			
3162		BM1C	CAPACITOR		C108	1-164-156-11	CERAMIC CHIP 0.1UF 25V			
3163		BM1C	CAPACITOR		C110	1-126-394-11	ELECT CHIP 10UF 20.00% 16V			
3164		BM1C	CAPACITOR		C112	1-107-826-11	CERAMIC CHIP 0.1UF 10.00% 16V			
3165		BM1C	CAPACITOR		C118	1-107-826-11	CERAMIC CHIP 0.1UF 10.00% 16V			
3166		BM1C	CAPACITOR		C123	1-162-970-11	CERAMIC CHIP 0.01UF 10.00% 25V			
3167		BM1C	CAPACITOR		C124	1-107-826-11	CERAMIC CHIP 0.1UF 10.00% 16V			
3168		BM1C	CAPACITOR		C125	1-125-891-11	CERAMIC CHIP 0.47UF 10.00% 10V			
3169		BM1C	CAPACITOR		C126	1-107-826-11	CERAMIC CHIP 0.1UF 10.00% 16V			
3170		BM1C	CAPACITOR		C127	1-107-826-11	CERAMIC CHIP 0.1UF 10.00% 16V			
3171		BM1C	CAPACITOR		C128	1-162-970-11	CERAMIC CHIP 0.01UF 10.00% 25V			
3172		BM1C	CAPACITOR		C129	1-162-970-11	CERAMIC CHIP 0.01UF 10.00% 25V			
3173		BM1C	CAPACITOR		C130	1-162-970-11	CERAMIC CHIP 0.01UF 10.00% 25V			
3174		BM1C	CAPACITOR		C131	1-162-970-11	CERAMIC CHIP 0.01UF 10.00% 25V			
3175		BM1C	CAPACITOR		C132	1-162-970-11	CERAMIC CHIP 0.01UF 10.00% 25V			
3176		BM1C	CAPACITOR		C133	1-162-970-11	CERAMIC CHIP 0.01UF 10.00% 25V			
3177		BM1C	CAPACITOR		C134	1-162-970-11	CERAMIC CHIP 0.01UF 10.00% 25V			
3178		BM1C	CAPACITOR		C135	1-162-970-11	CERAMIC CHIP 0.01UF 10.00% 25V			
3179		BM1C	CAPACITOR		C136	1-107-826-11	CERAMIC CHIP 0.1UF 10.00% 16V			
3180		BM1C	CAPACITOR		C137	1-107-826-11	CERAMIC CHIP 0.1UF 10.00% 16V			
3181		BM1C	CAPACITOR		C138	1-107-826-11	CERAMIC CHIP 0.1UF 10.00% 16V			
3182		BM1C	CAPACITOR		C139	1-107-826-11	CERAMIC CHIP 0.1UF 10.00% 16V			

No.	#	Board	Type	△/*	Ref.No.	Part No.	Description	Remarks-1	Remarks-2	Difference
3183		BM1C	CAPACITOR		C141	1-162-970-11	CERAMIC CHIP 0.01UF 10.00% 25V			
3184		BM1C	CAPACITOR		C142	1-162-970-11	CERAMIC CHIP 0.01UF 10.00% 25V			
3185		BM1C	CAPACITOR		C143	1-162-970-11	CERAMIC CHIP 0.01UF 10.00% 25V			
3186		BM1C	CAPACITOR		C144	1-162-970-11	CERAMIC CHIP 0.01UF 10.00% 25V			
3187		BM1C	CAPACITOR		C145	1-162-970-11	CERAMIC CHIP 0.01UF 10.00% 25V			
3188		BM1C	CAPACITOR		C146	1-162-970-11	CERAMIC CHIP 0.01UF 10.00% 25V			
3189		BM1C	CAPACITOR		C147	1-162-970-11	CERAMIC CHIP 0.01UF 10.00% 25V			
3190		BM1C	CAPACITOR		C148	1-107-826-11	CERAMIC CHIP 0.1UF 10.00% 16V			
3191		BM1C	CAPACITOR		C151	1-107-826-11	CERAMIC CHIP 0.1UF 10.00% 16V			
3192		BM1C	CAPACITOR		C154	1-107-826-11	CERAMIC CHIP 0.1UF 10.00% 16V			
3193		BM1C	CAPACITOR		C162	1-126-394-11	ELECT CHIP 10UF 20.00% 16V			
3194		BM1C	CAPACITOR		C163	1-126-394-11	ELECT CHIP 10UF 20.00% 16V			
3195		BM1C	CAPACITOR		C164	1-126-390-11	ELECT CHIP 22UF 20.00% 6.3V			
3196		BM1C	CAPACITOR		C165	1-124-779-00	ELECT CHIP 10UF 20.00% 16V			
3197		BM1C	CAPACITOR		C166	1-162-970-11	CERAMIC CHIP 0.01UF 10.00% 25V			
3198		BM1C	CONNECTOR	*	CN104	1-816-933-21	CONNECTOR, BOARD TO BOARD 60P			
3199		BM1C	DIODE		D101	8-719-024-77	DIODE HN1D03FU-TE85L			
3200		BM1C	DIODE		D102	8-719-024-77	DIODE HN1D03FU-TE85L			
3201		BM1C	DIODE		D201	8-719-024-77	DIODE HN1D03FU-TE85L			
3202		BM1C	FERRITE		FB101	1-414-921-11	FERRITE 0UH			
3203		BM1C	FERRITE		FB102	1-414-921-11	FERRITE 0UH			
3204		BM1C	FERRITE		FB103	1-414-921-11	FERRITE 0UH			
3205		BM1C	FERRITE		FB104	1-414-921-11	FERRITE 0UH			
3206		BM1C	FERRITE		FB106	1-500-451-11	FERRITE 0UH			
3207		BM1C	FERRITE		FB109	1-414-921-11	FERRITE 0UH			
3208		BM1C	FERRITE		FB110	1-414-921-11	FERRITE 0UH			
3209		BM1C	FERRITE		FB111	1-414-921-11	FERRITE 0UH			
3210		BM1C	FERRITE		FB120	1-414-921-11	FERRITE 0UH			
3211		BM1C	FERRITE		FB121	1-414-921-11	FERRITE 0UH			
3212		BM1C	FERRITE		FB122	1-414-921-11	FERRITE 0UH			
3213		BM1C	FERRITE		FB123	1-414-921-11	FERRITE 0UH			
3214		BM1C	FERRITE		FB124	1-414-921-11	FERRITE 0UH			
3215		BM1C	FERRITE		FB137	1-414-921-11	FERRITE 0UH			
3216		BM1C	FERRITE		FB141	1-414-921-11	FERRITE 0UH			
3217		BM1C	FERRITE		FB143	1-414-921-11	FERRITE 0UH			
3218		BM1C	FERRITE		FB149	1-414-921-11	FERRITE 0UH			
3219		BM1C	IC		IC101	6-702-978-01	IC MD2406			
3220		BM1C	IC		IC102	6-802-442-13	IC SST39VF800A70E-11297B-T			
3221		BM1C	IC		IC104	8-759-460-72	IC BA033FP-E2			
3222		BM1C	IC		IC106	8-759-697-54	IC BR24C21F-E2			
3223		BM1C	IC		IC107	8-759-331-27	IC MM1096AFF			
3224		BM1C	IC		IC108	6-702-511-11	IC MT48LC8M16A2TG-75-Y95WT			
3225		BM1C	IC		IC111	8-759-832-05	IC BA18BC0FP-E2			

No.	#	Board	Type	△/*	Ref.No.	Part No.	Descrption	Remarks-1	Remarks-2	Difference
3226		BM1C	IC		IC121	8-752-932-19	IC CXP86608-001R			
3227		BM1C	COIL		L106	1-469-555-21	INDUCTOR 10UH			
3228		BM1C	COIL		L107	1-469-561-21	INDUCTOR 100UH			
3229		BM1C	TRANSISTOR		Q101	8-729-013-28	TRANSISTOR HN1B01FU-TE85R			
3230		BM1C	TRANSISTOR		Q103	8-729-905-35	TRANSISTOR 2SC4081-R			
3231		BM1C	TRANSISTOR		Q105	8-729-427-72	TRANSISTOR XP4501			
3232		BM1C	TRANSISTOR		Q110	8-729-900-53	TRANSISTOR DTC114EK			
3233		BM1C	TRANSISTOR		Q116	8-729-900-53	TRANSISTOR DTC114EK			
3234		BM1C	TRANSISTOR		Q201	8-729-026-53	TRANSISTOR 2SA1576A-T106-QR			
3235		BM1C	TRANSISTOR		Q202	8-729-028-28	TRANSISTOR 2SK2036(TE85L)			
3236		BM1C	TRANSISTOR		Q203	8-729-028-28	TRANSISTOR 2SK2036(TE85L)			
3237		BM1C	RESISTOR		R101	1-216-797-11	METAL CHIP 10 5% 1/10W			
3238		BM1C	RESISTOR		R102	1-216-797-11	METAL CHIP 10 5% 1/10W			
3239		BM1C	RESISTOR		R103	1-216-797-11	METAL CHIP 10 5% 1/10W			
3240		BM1C	RESISTOR		R105	1-216-797-11	METAL CHIP 10 5% 1/10W			
3241		BM1C	RESISTOR		R110	1-216-833-11	METAL CHIP 10K 5% 1/10W			
3242		BM1C	RESISTOR		R111	1-216-833-11	METAL CHIP 10K 5% 1/10W			
3243		BM1C	RESISTOR		R112	1-216-833-11	METAL CHIP 10K 5% 1/10W			
3244		BM1C	RESISTOR		R113	1-216-833-11	METAL CHIP 10K 5% 1/10W			
3245		BM1C	RESISTOR		R120	1-216-833-11	METAL CHIP 10K 5% 1/10W			
3246		BM1C	RESISTOR		R121	1-216-833-11	METAL CHIP 10K 5% 1/10W			
3247		BM1C	RESISTOR		R124	1-216-864-11	SHORT CHIP 0			
3248		BM1C	RESISTOR		R125	1-216-864-11	SHORT CHIP 0			
3249		BM1C	RESISTOR		R127	1-216-833-11	METAL CHIP 10K 5% 1/10W			
3250		BM1C	RESISTOR		R128	1-216-864-11	SHORT CHIP 0			
3251		BM1C	RESISTOR		R129	1-218-712-11	METAL CHIP 6.8K 0.5% 1/10W			
3252		BM1C	RESISTOR		R136	1-216-797-11	METAL CHIP 10 5% 1/10W			
3253		BM1C	RESISTOR		R137	1-216-864-11	SHORT CHIP 0			
3254		BM1C	RESISTOR		R143	1-216-833-11	METAL CHIP 10K 5% 1/10W			
3255		BM1C	RESISTOR		R144	1-216-809-11	METAL CHIP 100 5% 1/10W			
3256		BM1C	RESISTOR		R145	1-216-809-11	METAL CHIP 100 5% 1/10W			
3257		BM1C	RESISTOR		R148	1-216-839-11	METAL CHIP 33K 5% 1/10W			
3258		BM1C	RESISTOR		R149	1-216-839-11	METAL CHIP 33K 5% 1/10W			
3259		BM1C	RESISTOR		R150	1-216-833-11	METAL CHIP 10K 5% 1/10W			
3260		BM1C	RESISTOR		R152	1-216-833-11	METAL CHIP 10K 5% 1/10W			
3261		BM1C	RESISTOR		R155	1-216-833-11	METAL CHIP 10K 5% 1/10W			
3262		BM1C	RESISTOR		R158	1-216-864-11	SHORT CHIP 0			
3263		BM1C	RESISTOR		R161	1-216-801-11	METAL CHIP 22 5% 1/10W			
3264		BM1C	RESISTOR		R164	1-216-833-11	METAL CHIP 10K 5% 1/10W			
3265		BM1C	RESISTOR		R186	1-216-864-11	SHORT CHIP 0			
3266		BM1C	RESISTOR		R189	1-216-864-11	SHORT CHIP 0			
3267		BM1C	RESISTOR		R190	1-216-864-11	SHORT CHIP 0			
3268		BM1C	RESISTOR		R201	1-216-845-11	METAL CHIP 100K 5% 1/10W			

No.	#	Board	Type	△/*	Ref.No.	Part No.	Description	Remarks-1	Remarks-2	Difference
3269		BM1C	RESISTOR		R202	1-216-833-11	METAL CHIP 10K 5% 1/10W			
3270		BM1C	RESISTOR		R203	1-216-833-11	METAL CHIP 10K 5% 1/10W			
3271		BM1C	RESISTOR		R205	1-216-833-11	METAL CHIP 10K 5% 1/10W			
3272		BM1C	RESISTOR		R206	1-216-809-11	METAL CHIP 100 5% 1/10W			
3273		BM1C	RESISTOR		R208	1-216-845-11	METAL CHIP 100K 5% 1/10W			
3274		BM1C	RESISTOR		R209	1-216-845-11	METAL CHIP 100K 5% 1/10W			
3275		BM1C	RESISTOR		R213	1-218-830-11	METAL CHIP 200 0.5% 1/10W			
3276		BM1C	RESISTOR		R217	1-216-833-11	METAL CHIP 10K 5% 1/10W			
3277		BM1C	RESISTOR		R218	1-216-825-11	METAL CHIP 2.2K 5% 1/10W			
3278		BM1C	RESISTOR		R219	1-216-833-11	METAL CHIP 10K 5% 1/10W			
3279		BM1C	RESISTOR		R221	1-216-809-11	METAL CHIP 100 5% 1/10W			
3280		BM1C	RESISTOR		R222	1-216-833-11	METAL CHIP 10K 5% 1/10W			
3281		BM1C	RESISTOR		R226	1-216-833-11	METAL CHIP 10K 5% 1/10W			
3282		BM1C	RESISTOR		R230	1-216-833-11	METAL CHIP 10K 5% 1/10W			
3283		BM1C	RESISTOR		R232	1-218-709-11	METAL CHIP 5.1K 0.5% 1/10W			
3284		BM1C	RESISTOR		R238	1-216-864-11	SHORT CHIP 0			
3285		BM1C	RESISTOR		R239	1-216-833-11	METAL CHIP 10K 5% 1/10W			
3286		BM1C	RESISTOR		R240	1-216-833-11	METAL CHIP 10K 5% 1/10W			
3287		BM1C	RESISTOR		R283	1-216-833-11	METAL CHIP 10K 5% 1/10W			
3288		BM1C	RESISTOR		R287	1-216-833-11	METAL CHIP 10K 5% 1/10W			
3289		BM1C	RESISTOR		R288	1-216-797-11	METAL CHIP 10 5% 1/10W			
3290		BM1C	RESISTOR		R290	1-216-797-11	METAL CHIP 10 5% 1/10W			
3291		BM1C	NETWORK		RB101	1-234-381-21	RES, NETWORK 100KX4 (1005)			
3292		BM1C	NETWORK		RB102	1-234-381-21	RES, NETWORK 100KX4 (1005)			
3293		BM1C	NETWORK		RB103	1-234-381-21	RES, NETWORK 100KX4 (1005)			
3294		BM1C	NETWORK		RB104	1-234-381-21	RES, NETWORK 100KX4 (1005)			
3295		BM1C	NETWORK		RB105	1-234-372-21	RES, NETWORK 100X4 (1005)			
3296		BM1C	NETWORK		RB106	1-234-378-21	RES, NETWORK 10KX4 (1005)			
3297		BM1C	NETWORK		RB107	1-234-370-21	RES, NETWORK 22X4 (1005)			
3298		BM1C	NETWORK		RB108	1-234-370-21	RES, NETWORK 22X4 (1005)			
3299		BM1C	NETWORK		RB109	1-234-370-21	RES, NETWORK 22X4 (1005)			
3300		BM1C	NETWORK		RB110	1-234-370-21	RES, NETWORK 22X4 (1005)			
3301		BM1C	NETWORK		RB111	1-234-370-21	RES, NETWORK 22X4 (1005)			
3302		BM1C	NETWORK		RB112	1-234-370-21	RES, NETWORK 22X4 (1005)			
3303		BM1C	NETWORK		RB113	1-234-378-21	RES, NETWORK 10KX4 (1005)			
3304		BM1C	NETWORK		RB114	1-234-378-21	RES, NETWORK 10KX4 (1005)			
3305		BM1C	NETWORK		RB115	1-234-378-21	RES, NETWORK 10KX4 (1005)			
3306		BM1C	NETWORK		RB121	1-234-371-21	RES, NETWORK 47X4 (1005)			
3307		BM1C	NETWORK		RB122	1-234-371-21	RES, NETWORK 47X4 (1005)			
3308		BM1C	NETWORK		RB123	1-234-371-21	RES, NETWORK 47X4 (1005)			
3309		BM1C	NETWORK		RB124	1-234-371-21	RES, NETWORK 47X4 (1005)			
3310		BM1C	NETWORK		RB131	1-234-378-21	RES, NETWORK 10KX4 (1005)			
3311		BM1C	NETWORK		RB132	1-234-378-21	RES, NETWORK 10KX4 (1005)			

No.	#	Board	Type	△/*	Ref.No.	Part No.	Descrption	Remarks-1	Remarks-2	Difference
3312		BM1C	NETWORK		RB133	1-234-378-21	RES, NETWORK 10KX4 (1005)			
3313		BM1C	NETWORK		RB134	1-234-378-21	RES, NETWORK 10KX4 (1005)			
3314		BM1C	CRYSTAL		X101	1-795-725-21	CRYSTAL OSCILLATOR (SMD)			
3315		BM1C	CRYSTAL		X102	1-795-313-21	VIBRATOR, CERAMIC			
3316		DICA	CAPACITOR		C401	1-107-826-11	CERAMIC CHIP 0.1UF 10.00% 16V			
3317		DICA	CAPACITOR		C402	1-107-826-11	CERAMIC CHIP 0.1UF 10.00% 16V			
3318		DICA	CAPACITOR		C403	1-107-826-11	CERAMIC CHIP 0.1UF 10.00% 16V			
3319		DICA	CAPACITOR		C404	1-126-206-11	ELECT CHIP 100UF 20.00% 6.3V			
3320		DICA	CAPACITOR		C405	1-126-206-11	ELECT CHIP 100UF 20.00% 6.3V			
3321		DICA	CAPACITOR		C406	1-126-206-11	ELECT CHIP 100UF 20.00% 6.3V			
3322		DICA	CAPACITOR		C407	1-107-826-11	CERAMIC CHIP 0.1UF 10.00% 16V			
3323		DICA	CAPACITOR		C408	1-107-826-11	CERAMIC CHIP 0.1UF 10.00% 16V			
3324		DICA	CAPACITOR		C409	1-117-681-11	ELECT CHIP 100UF 20.00% 16V			
3325		DICA	CAPACITOR		C410	1-126-206-11	ELECT CHIP 100UF 20.00% 6.3V			
3326		DICA	CAPACITOR		C411	1-107-826-11	CERAMIC CHIP 0.1UF 10.00% 16V			
3327		DICA	CAPACITOR		C412	1-107-826-11	CERAMIC CHIP 0.1UF 10.00% 16V			
3328		DICA	CAPACITOR		C413	1-128-397-21	ELECT CHIP 100UF 20% 16V			
3329		DICA	CAPACITOR		C414	1-107-826-11	CERAMIC CHIP 0.1UF 10.00% 16V			
3330		DICA	CAPACITOR		C417	1-107-826-11	CERAMIC CHIP 0.1UF 10.00% 16V			
3331		DICA	CAPACITOR		C424	1-107-826-11	CERAMIC CHIP 0.1UF 10.00% 16V			
3332		DICA	CAPACITOR		C426	1-128-357-11	ELECT CHIP 10UF 20.00% 16V			
3333		DICA	CAPACITOR		C429	1-124-779-00	ELECT CHIP 10UF 20.00% 16V			
3334		DICA	CAPACITOR		C431	1-124-779-00	ELECT CHIP 10UF 20.00% 16V			
3335		DICA	CAPACITOR		C432	1-124-779-00	ELECT CHIP 10UF 20.00% 16V			
3336		DICA	CAPACITOR		C433	1-124-779-00	ELECT CHIP 10UF 20.00% 16V			
3337		DICA	CAPACITOR		C441	1-107-826-11	CERAMIC CHIP 0.1UF 10.00% 16V			
3338		DICA	CAPACITOR		C442	1-107-826-11	CERAMIC CHIP 0.1UF 10.00% 16V			
3339		DICA	CAPACITOR		C444	1-107-826-11	CERAMIC CHIP 0.1UF 10.00% 16V			
3340		DICA	CAPACITOR		C445	1-107-826-11	CERAMIC CHIP 0.1UF 10.00% 16V			
3341		DICA	CAPACITOR		C446	1-107-826-11	CERAMIC CHIP 0.1UF 10.00% 16V			
3342		DICA	CAPACITOR		C447	1-162-964-11	CERAMIC CHIP 0.001UF 10.00% 50V			
3343		DICA	CAPACITOR		C448	1-107-826-11	CERAMIC CHIP 0.1UF 10.00% 16V			
3344		DICA	CAPACITOR		C449	1-107-826-11	CERAMIC CHIP 0.1UF 10.00% 16V			
3345		DICA	CAPACITOR		C450	1-162-964-11	CERAMIC CHIP 0.001UF 10.00% 50V			
3346		DICA	CAPACITOR		C451	1-126-205-11	ELECT CHIP 47UF 20.00% 6.3V			
3347		DICA	CAPACITOR		C452	1-126-205-11	ELECT CHIP 47UF 20.00% 6.3V			
3348		DICA	CAPACITOR		C453	1-126-205-11	ELECT CHIP 47UF 20.00% 6.3V			
3349		DICA	CAPACITOR		C463	1-107-826-11	CERAMIC CHIP 0.1UF 10.00% 16V			
3350		DICA	CAPACITOR		C464	1-162-970-11	CERAMIC CHIP 0.01UF 10.00% 25V			
3351		DICA	CAPACITOR		C465	1-162-970-11	CERAMIC CHIP 0.01UF 10.00% 25V			
3352		DICA	CAPACITOR		C466	1-107-826-11	CERAMIC CHIP 0.1UF 10.00% 16V			
3353		DICA	CAPACITOR		C467	1-127-715-91	CERAMIC CHIP 0.22UF 10% 16V			
3354		DICA	CAPACITOR		C468	1-127-715-91	CERAMIC CHIP 0.22UF 10% 16V			

No.	#	Board	Type	△/*	Ref.No.	Part No.	Description	Remarks-1	Remarks-2	Difference
3355		DICA	CAPACITOR		C469	1-127-715-91	CERAMIC CHIP 0.22UF 10% 16V			
3356		DICA	CAPACITOR		C470	1-127-715-91	CERAMIC CHIP 0.22UF 10% 16V			
3357		DICA	CAPACITOR		C471	1-127-715-91	CERAMIC CHIP 0.22UF 10% 16V			
3358		DICA	CAPACITOR		C473	1-124-778-00	ELECT CHIP 22UF 20.00% 6.3V			
3359		DICA	CAPACITOR		C474	1-216-864-11	SHORT CHIP 0			
3360		DICA	CAPACITOR		C481	1-107-826-11	CERAMIC CHIP 0.1UF 10.00% 16V			
3361		DICA	CAPACITOR		C483	1-107-826-11	CERAMIC CHIP 0.1UF 10.00% 16V			
3362		DICA	CAPACITOR		C601	1-107-826-11	CERAMIC CHIP 0.1UF 10.00% 16V			
3363		DICA	CAPACITOR		C602	1-128-357-11	ELECT CHIP 10UF 20.00% 16V			
3364		DICA	CAPACITOR		C603	1-107-826-11	CERAMIC CHIP 0.1UF 10.00% 16V			
3365		DICA	CAPACITOR		C604	1-107-826-11	CERAMIC CHIP 0.1UF 10.00% 16V			
3366		DICA	CAPACITOR		C605	1-107-826-11	CERAMIC CHIP 0.1UF 10.00% 16V			
3367		DICA	CAPACITOR		C606	1-107-826-11	CERAMIC CHIP 0.1UF 10.00% 16V			
3368		DICA	CAPACITOR		C607	1-128-397-21	ELECT CHIP 100UF 20% 16V			
3369		DICA	CAPACITOR		C608	1-128-397-21	ELECT CHIP 100UF 20% 16V			
3370		DICA	CAPACITOR		C609	1-126-204-11	ELECT CHIP 47UF 20.00% 16V			
3371		DICA	CAPACITOR		C610	1-126-204-11	ELECT CHIP 47UF 20.00% 16V			
3372		DICA	CAPACITOR		C611	1-107-826-11	CERAMIC CHIP 0.1UF 10.00% 16V			
3373		DICA	CAPACITOR		C612	1-107-826-11	CERAMIC CHIP 0.1UF 10.00% 16V			
3374		DICA	CAPACITOR		C613	1-107-826-11	CERAMIC CHIP 0.1UF 10.00% 16V			
3375		DICA	CAPACITOR		C614	1-107-826-11	CERAMIC CHIP 0.1UF 10.00% 16V			
3376		DICA	CAPACITOR		C615	1-126-204-11	ELECT CHIP 47UF 20.00% 16V			
3377		DICA	CAPACITOR		C616	1-128-357-11	ELECT CHIP 10UF 20.00% 16V			
3378		DICA	CAPACITOR		C617	1-107-826-11	CERAMIC CHIP 0.1UF 10.00% 16V			
3379		DICA	CAPACITOR		C618	1-107-826-11	CERAMIC CHIP 0.1UF 10.00% 16V			
3380		DICA	CAPACITOR		C619	1-107-826-11	CERAMIC CHIP 0.1UF 10.00% 16V			
3381		DICA	CAPACITOR		C620	1-107-826-11	CERAMIC CHIP 0.1UF 10.00% 16V			
3382		DICA	CAPACITOR		C621	1-107-826-11	CERAMIC CHIP 0.1UF 10.00% 16V			
3383		DICA	CAPACITOR		C622	1-107-826-11	CERAMIC CHIP 0.1UF 10.00% 16V			
3384		DICA	CAPACITOR		C623	1-126-206-11	ELECT CHIP 100UF 20.00% 6.3V			
3385		DICA	CAPACITOR		C624	1-107-826-11	CERAMIC CHIP 0.1UF 10.00% 16V			
3386		DICA	CAPACITOR		C625	1-107-826-11	CERAMIC CHIP 0.1UF 10.00% 16V			
3387		DICA	CAPACITOR		C626	1-107-826-11	CERAMIC CHIP 0.1UF 10.00% 16V			
3388		DICA	CAPACITOR		C627	1-126-206-11	ELECT CHIP 100UF 20.00% 6.3V			
3389		DICA	CAPACITOR		C628	1-107-826-11	CERAMIC CHIP 0.1UF 10.00% 16V			
3390		DICA	CAPACITOR		C629	1-127-715-91	CERAMIC CHIP 0.22UF 10% 16V			
3391		DICA	CAPACITOR		C630	1-107-826-11	CERAMIC CHIP 0.1UF 10.00% 16V			
3392		DICA	CAPACITOR		C631	1-107-826-11	CERAMIC CHIP 0.1UF 10.00% 16V			
3393		DICA	CAPACITOR		C632	1-107-826-11	CERAMIC CHIP 0.1UF 10.00% 16V			
3394		DICA	CAPACITOR		C633	1-107-826-11	CERAMIC CHIP 0.1UF 10.00% 16V			
3395		DICA	CAPACITOR		C634	1-107-826-11	CERAMIC CHIP 0.1UF 10.00% 16V			
3396		DICA	CAPACITOR		C635	1-107-826-11	CERAMIC CHIP 0.1UF 10.00% 16V			
3397		DICA	CAPACITOR		C636	1-107-826-11	CERAMIC CHIP 0.1UF 10.00% 16V			

No.	#	Board	Type	△/*	Ref.No.	Part No.	Descrption	Remarks-1	Remarks-2	Difference
3398		DICA	CAPACITOR		C637	1-107-826-11	CERAMIC CHIP 0.1UF 10.00% 16V			
3399		DICA	CAPACITOR		C638	1-107-826-11	CERAMIC CHIP 0.1UF 10.00% 16V			
3400		DICA	CAPACITOR		C639	1-107-826-11	CERAMIC CHIP 0.1UF 10.00% 16V			
3401		DICA	CAPACITOR		C640	1-135-599-11	ELECT 39UF 20% 16V			
3402		DICA	CAPACITOR		C641	1-107-826-11	CERAMIC CHIP 0.1UF 10.00% 16V			
3403		DICA	CAPACITOR		C642	1-107-826-11	CERAMIC CHIP 0.1UF 10.00% 16V			
3404		DICA	CAPACITOR		C643	1-124-778-00	ELECT CHIP 22UF 20.00% 6.3V			
3405		DICA	CAPACITOR		C644	1-124-779-00	ELECT CHIP 10UF 20.00% 16V			
3406		DICA	CAPACITOR		C645	1-107-826-11	CERAMIC CHIP 0.1UF 10.00% 16V			
3407		DICA	CAPACITOR		C646	1-107-826-11	CERAMIC CHIP 0.1UF 10.00% 16V			
3408		DICA	CAPACITOR		C647	1-107-826-11	CERAMIC CHIP 0.1UF 10.00% 16V			
3409		DICA	CAPACITOR		C648	1-124-779-00	ELECT CHIP 10UF 20.00% 16V			
3410		DICA	CAPACITOR		C649	1-107-826-11	CERAMIC CHIP 0.1UF 10.00% 16V			
3411		DICA	CAPACITOR		C650	1-162-970-11	CERAMIC CHIP 0.01UF 10.00% 25V			
3412		DICA	CAPACITOR		C651	1-162-917-11	CERAMIC CHIP 15PF 5.00% 50V			
3413		DICA	CAPACITOR		C652	1-162-917-11	CERAMIC CHIP 15PF 5.00% 50V			
3414		DICA	CAPACITOR		C653	1-164-378-11	CERAMIC CHIP 30PF 5.00% 50V			
3415		DICA	CAPACITOR		C654	1-128-257-21	ELECT CHIP 33UF 20.00% 10V			
3416		DICA	CAPACITOR		C655	1-128-994-21	ELECT CHIP 47UF 20% 10V			
3417		DICA	CAPACITOR		C656	1-124-779-00	ELECT CHIP 10UF 20.00% 16V			
3418		DICA	CAPACITOR		C657	1-165-908-91	CERAMIC CHIP 1UF 10% 10V			
3419		DICA	CAPACITOR		C658	1-126-204-11	ELECT CHIP 47UF 20.00% 16V			
3420		DICA	CAPACITOR		C659	1-164-315-11	CERAMIC CHIP 470PF 5.00% 50V			
3421		DICA	CAPACITOR		C660	1-107-826-11	CERAMIC CHIP 0.1UF 10.00% 16V			
3422		DICA	CAPACITOR		C661	1-162-917-11	CERAMIC CHIP 15PF 5.00% 50V			
3423		DICA	CAPACITOR		C662	1-162-917-11	CERAMIC CHIP 15PF 5.00% 50V			
3424		DICA	CAPACITOR		C663	1-126-193-11	ELECT CHIP 1UF 20.00% 50V			
3425		DICA	CAPACITOR		C664	1-162-920-11	CERAMIC CHIP 27PF 5.00% 50V			
3426		DICA	CAPACITOR		C665	1-124-779-00	ELECT CHIP 10UF 20.00% 16V			
3427		DICA	CAPACITOR		C666	1-126-204-11	ELECT CHIP 47UF 20.00% 16V			
3428		DICA	CAPACITOR		C667	1-126-204-11	ELECT CHIP 47UF 20.00% 16V			
3429		DICA	CAPACITOR		C668	1-126-204-11	ELECT CHIP 47UF 20.00% 16V			
3430		DICA	CAPACITOR		C669	1-107-826-11	CERAMIC CHIP 0.1UF 10.00% 16V			
3431		DICA	CAPACITOR		C670	1-107-826-11	CERAMIC CHIP 0.1UF 10.00% 16V			
3432		DICA	CAPACITOR		C671	1-107-826-11	CERAMIC CHIP 0.1UF 10.00% 16V			
3433		DICA	CAPACITOR		C672	1-107-826-11	CERAMIC CHIP 0.1UF 10.00% 16V			
3434		DICA	CAPACITOR		C673	1-126-204-11	ELECT CHIP 47UF 20.00% 16V			
3435		DICA	CAPACITOR		C674	1-107-826-11	CERAMIC CHIP 0.1UF 10.00% 16V			
3436		DICA	CAPACITOR		C675	1-107-826-11	CERAMIC CHIP 0.1UF 10.00% 16V			
3437		DICA	CAPACITOR		C676	1-107-826-11	CERAMIC CHIP 0.1UF 10.00% 16V			
3438		DICA	CAPACITOR		C677	1-107-826-11	CERAMIC CHIP 0.1UF 10.00% 16V			
3439		DICA	CAPACITOR		C678	1-165-643-21	ELECT CHIP 150UF 20% 4V			
3440		DICA	CAPACITOR		C679	1-107-826-11	CERAMIC CHIP 0.1UF 10.00% 16V			



No.	#	Board	Type	△/*	Ref.No.	Part No.	Descrption	Remarks-1	Remarks-2	Difference
3441		DICA	CAPACITOR		C680	1-107-826-11	CERAMIC CHIP 0.1UF 10.00% 16V			
3442		DICA	CAPACITOR		C681	1-107-826-11	CERAMIC CHIP 0.1UF 10.00% 16V			
3443		DICA	CAPACITOR		C682	1-107-826-11	CERAMIC CHIP 0.1UF 10.00% 16V			
3444		DICA	CAPACITOR		C683	1-107-826-11	CERAMIC CHIP 0.1UF 10.00% 16V			
3445		DICA	CAPACITOR		C684	1-107-826-11	CERAMIC CHIP 0.1UF 10.00% 16V			
3446		DICA	CAPACITOR		C685	1-107-826-11	CERAMIC CHIP 0.1UF 10.00% 16V			
3447		DICA	CAPACITOR		C686	1-126-206-11	ELECT CHIP 100UF 20.00% 6.3V			
3448		DICA	CAPACITOR		C687	1-126-206-11	ELECT CHIP 100UF 20.00% 6.3V			
3449		DICA	CAPACITOR		C688	1-107-826-11	CERAMIC CHIP 0.1UF 10.00% 16V			
3450		DICA	CAPACITOR		C689	1-126-205-11	ELECT CHIP 47UF 20.00% 6.3V			
3451		DICA	CAPACITOR		C690	1-107-826-11	CERAMIC CHIP 0.1UF 10.00% 16V			
3452		DICA	CAPACITOR		C691	1-107-826-11	CERAMIC CHIP 0.1UF 10.00% 16V			
3453		DICA	CAPACITOR		C692	1-107-826-11	CERAMIC CHIP 0.1UF 10.00% 16V			
3454		DICA	CAPACITOR		C693	1-107-826-11	CERAMIC CHIP 0.1UF 10.00% 16V			
3455		DICA	CAPACITOR		C694	1-107-826-11	CERAMIC CHIP 0.1UF 10.00% 16V			
3456		DICA	CAPACITOR		C695	1-107-826-11	CERAMIC CHIP 0.1UF 10.00% 16V			
3457		DICA	CAPACITOR		C696	1-107-826-11	CERAMIC CHIP 0.1UF 10.00% 16V			
3458		DICA	CAPACITOR		C697	1-124-779-00	ELECT CHIP 10UF 20.00% 16V			
3459		DICA	CAPACITOR		C698	1-107-826-11	CERAMIC CHIP 0.1UF 10.00% 16V			
3460		DICA	CAPACITOR		C699	1-107-826-11	CERAMIC CHIP 0.1UF 10.00% 16V			
3461		DICA	CAPACITOR		C700	1-107-826-11	CERAMIC CHIP 0.1UF 10.00% 16V			
3462		DICA	CAPACITOR		C701	1-126-206-11	ELECT CHIP 100UF 20.00% 6.3V			
3463		DICA	CAPACITOR		C702	1-107-826-11	CERAMIC CHIP 0.1UF 10.00% 16V			
3464		DICA	CAPACITOR		C703	1-107-826-11	CERAMIC CHIP 0.1UF 10.00% 16V			
3465		DICA	CAPACITOR		C704	1-162-970-11	CERAMIC CHIP 0.01UF 10.00% 25V			
3466		DICA	CAPACITOR		C705	1-126-206-11	ELECT CHIP 100UF 20.00% 6.3V			
3467		DICA	CAPACITOR		C706	1-107-826-11	CERAMIC CHIP 0.1UF 10.00% 16V			
3468		DICA	CAPACITOR		C707	1-162-970-11	CERAMIC CHIP 0.01UF 10.00% 25V			
3469		DICA	CAPACITOR		C708	1-107-826-11	CERAMIC CHIP 0.1UF 10.00% 16V			
3470		DICA	CAPACITOR		C709	1-107-826-11	CERAMIC CHIP 0.1UF 10.00% 16V			
3471		DICA	CAPACITOR		C710	1-107-826-11	CERAMIC CHIP 0.1UF 10.00% 16V			
3472		DICA	CAPACITOR		C711	1-124-778-00	ELECT CHIP 22UF 20.00% 6.3V			
3473		DICA	CAPACITOR		C712	1-162-970-11	CERAMIC CHIP 0.01UF 10.00% 25V			
3474		DICA	CAPACITOR		C713	1-107-826-11	CERAMIC CHIP 0.1UF 10.00% 16V			
3475		DICA	CAPACITOR		C714	1-107-826-11	CERAMIC CHIP 0.1UF 10.00% 16V			
3476		DICA	CAPACITOR		C715	1-162-970-11	CERAMIC CHIP 0.01UF 10.00% 25V			
3477		DICA	CAPACITOR		C716	1-126-206-11	ELECT CHIP 100UF 20.00% 6.3V			
3478		DICA	CAPACITOR		C717	1-107-826-11	CERAMIC CHIP 0.1UF 10.00% 16V			
3479		DICA	CAPACITOR		C718	1-107-826-11	CERAMIC CHIP 0.1UF 10.00% 16V			
3480		DICA	CAPACITOR		C719	1-162-970-11	CERAMIC CHIP 0.01UF 10.00% 25V			
3481		DICA	CAPACITOR		C720	1-107-826-11	CERAMIC CHIP 0.1UF 10.00% 16V			
3482		DICA	CAPACITOR		C721	1-107-826-11	CERAMIC CHIP 0.1UF 10.00% 16V			
3483		DICA	CAPACITOR		C722	1-127-715-91	CERAMIC CHIP 0.22UF 10% 16V			

No.	#	Board	Type	△/*	Ref.No.	Part No.	Description	Remarks-1	Remarks-2	Difference
3484		DICA	CAPACITOR		C723	1-126-205-11	ELECT CHIP 47UF 20.00% 6.3V			
3485		DICA	CAPACITOR		C724	1-107-826-11	CERAMIC CHIP 0.1UF 10.00% 16V			
3486		DICA	CAPACITOR		C725	1-124-778-00	ELECT CHIP 22UF 20.00% 6.3V			
3487		DICA	CAPACITOR		C726	1-162-959-11	CERAMIC CHIP 330PF 5.00% 50V			
3488		DICA	CAPACITOR		C727	1-107-826-11	CERAMIC CHIP 0.1UF 10.00% 16V			
3489		DICA	CAPACITOR		C728	1-107-826-11	CERAMIC CHIP 0.1UF 10.00% 16V			
3490		DICA	CAPACITOR		C730	1-164-218-11	CERAMIC CHIP 180PF 5.00% 50V			
3491		DICA	CAPACITOR		C731	1-162-917-11	CERAMIC CHIP 15PF 5.00% 50V			
3492		DICA	CAPACITOR		C732	1-162-916-11	CERAMIC CHIP 12PF 5.00% 50V			
3493		DICA	CAPACITOR		C733	1-107-826-11	CERAMIC CHIP 0.1UF 10.00% 16V			
3494		DICA	CAPACITOR		C734	1-107-826-11	CERAMIC CHIP 0.1UF 10.00% 16V			
3495		DICA	CAPACITOR		C735	1-107-826-11	CERAMIC CHIP 0.1UF 10.00% 16V			
3496		DICA	CAPACITOR		C736	1-124-778-00	ELECT CHIP 22UF 20.00% 6.3V			
3497		DICA	CAPACITOR		C737	1-162-970-11	CERAMIC CHIP 0.01UF 10.00% 25V			
3498		DICA	CAPACITOR		C738	1-107-826-11	CERAMIC CHIP 0.1UF 10.00% 16V			
3499		DICA	CAPACITOR		C739	1-162-970-11	CERAMIC CHIP 0.01UF 10.00% 25V			
3500		DICA	CAPACITOR		C740	1-162-970-11	CERAMIC CHIP 0.01UF 10.00% 25V			
3501		DICA	CAPACITOR		C741	1-126-206-11	ELECT CHIP 100UF 20.00% 6.3V			
3502		DICA	CAPACITOR		C742	1-162-970-11	CERAMIC CHIP 0.01UF 10.00% 25V			
3503		DICA	CAPACITOR		C743	1-124-778-00	ELECT CHIP 22UF 20.00% 6.3V			
3504		DICA	CAPACITOR		C753	1-107-826-11	CERAMIC CHIP 0.1UF 10.00% 16V			
3505		DICA	CAPACITOR		C754	1-107-826-11	CERAMIC CHIP 0.1UF 10.00% 16V			
3506		DICA	CAPACITOR		C755	1-107-826-11	CERAMIC CHIP 0.1UF 10.00% 16V			
3507		DICA	CAPACITOR		C756	1-107-826-11	CERAMIC CHIP 0.1UF 10.00% 16V			
3508		DICA	CAPACITOR		C757	1-216-864-11	SHORT CHIP 0			
3509		DICA	CAPACITOR		C758	1-216-864-11	SHORT CHIP 0			
3510		DICA	CAPACITOR		C759	1-164-185-11	CERAMIC CHIP 13PF 5.00% 50V			
3511		DICA	CAPACITOR		C762	1-124-779-00	ELECT CHIP 10UF 20.00% 16V			
3512		DICA	CAPACITOR		C902	1-162-970-11	CERAMIC CHIP 0.01UF 10.00% 25V			
3513		DICA	CAPACITOR		C903	1-162-970-11	CERAMIC CHIP 0.01UF 10.00% 25V			
3514		DICA	CAPACITOR		C904	1-126-206-11	ELECT CHIP 100UF 20.00% 6.3V			
3515		DICA	CAPACITOR		C905	1-126-603-11	ELECT CHIP 4.7UF 20.00% 35V			
3516		DICA	CAPACITOR		C906	1-107-826-11	CERAMIC CHIP 0.1UF 10.00% 16V			
3517		DICA	CAPACITOR		C911	1-162-970-11	CERAMIC CHIP 0.01UF 10.00% 25V			
3518		DICA	CAPACITOR		C912	1-162-970-11	CERAMIC CHIP 0.01UF 10.00% 25V			
3519		DICA	CAPACITOR		C913	1-126-206-11	ELECT CHIP 100UF 20.00% 6.3V			
3520		DICA	CAPACITOR		C915	1-162-970-11	CERAMIC CHIP 0.01UF 10.00% 25V			
3521		DICA	CAPACITOR		C917	1-126-246-11	ELECT CHIP 220UF 20.00% 4V			
3522		DICA	CAPACITOR		C918	1-126-205-11	ELECT CHIP 47UF 20.00% 6.3V			
3523		DICA	CAPACITOR		C919	1-162-970-11	CERAMIC CHIP 0.01UF 10.00% 25V			
3524		DICA	CAPACITOR		C920	1-107-826-11	CERAMIC CHIP 0.1UF 10.00% 16V			
3525		DICA	CAPACITOR		C921	1-107-826-11	CERAMIC CHIP 0.1UF 10.00% 16V			
3526		DICA	CAPACITOR		C922	1-107-826-11	CERAMIC CHIP 0.1UF 10.00% 16V			

No.	#	Board	Type	△/*	Ref.No.	Part No.	Description	Remarks-1	Remarks-2	Difference
3527		DICA	CAPACITOR		C923	1-107-826-11	CERAMIC CHIP 0.1UF 10.00% 16V			
3528		DICA	CAPACITOR		C924	1-107-826-11	CERAMIC CHIP 0.1UF 10.00% 16V			
3529		DICA	CAPACITOR		C925	1-107-826-11	CERAMIC CHIP 0.1UF 10.00% 16V			
3530		DICA	CAPACITOR		C926	1-107-826-11	CERAMIC CHIP 0.1UF 10.00% 16V			
3531		DICA	CAPACITOR		C927	1-107-826-11	CERAMIC CHIP 0.1UF 10.00% 16V			
3532		DICA	CAPACITOR		C928	1-107-826-11	CERAMIC CHIP 0.1UF 10.00% 16V			
3533		DICA	CAPACITOR		C929	1-107-826-11	CERAMIC CHIP 0.1UF 10.00% 16V			
3534		DICA	CAPACITOR		C930	1-107-826-11	CERAMIC CHIP 0.1UF 10.00% 16V			
3535		DICA	CAPACITOR		C931	1-162-970-11	CERAMIC CHIP 0.01UF 10.00% 25V			
3536		DICA	CAPACITOR		C932	1-162-970-11	CERAMIC CHIP 0.01UF 10.00% 25V			
3537		DICA	CAPACITOR		C933	1-107-826-11	CERAMIC CHIP 0.1UF 10.00% 16V			
3538		DICA	CAPACITOR		C934	1-107-826-11	CERAMIC CHIP 0.1UF 10.00% 16V			
3539		DICA	CAPACITOR		C935	1-107-826-11	CERAMIC CHIP 0.1UF 10.00% 16V			
3540		DICA	CAPACITOR		C936	1-162-970-11	CERAMIC CHIP 0.01UF 10.00% 25V			
3541		DICA	CAPACITOR		C937	1-107-826-11	CERAMIC CHIP 0.1UF 10.00% 16V			
3542		DICA	CAPACITOR		C938	1-162-970-11	CERAMIC CHIP 0.01UF 10.00% 25V			
3543		DICA	CAPACITOR		C939	1-124-778-00	ELECT CHIP 22UF 20.00% 6.3V			
3544		DICA	CAPACITOR		C940	1-107-826-11	CERAMIC CHIP 0.1UF 10.00% 16V			
3545		DICA	CAPACITOR		C941	1-107-826-11	CERAMIC CHIP 0.1UF 10.00% 16V			
3546		DICA	CAPACITOR		C942	1-107-826-11	CERAMIC CHIP 0.1UF 10.00% 16V			
3547		DICA	CAPACITOR		C943	1-107-826-11	CERAMIC CHIP 0.1UF 10.00% 16V			
3548		DICA	CAPACITOR		C944	1-107-826-11	CERAMIC CHIP 0.1UF 10.00% 16V			
3549		DICA	CAPACITOR		C945	1-107-826-11	CERAMIC CHIP 0.1UF 10.00% 16V			
3550		DICA	CAPACITOR		C946	1-107-826-11	CERAMIC CHIP 0.1UF 10.00% 16V			
3551		DICA	CAPACITOR		C947	1-107-826-11	CERAMIC CHIP 0.1UF 10.00% 16V			
3552		DICA	CAPACITOR		C948	1-107-826-11	CERAMIC CHIP 0.1UF 10.00% 16V			
3553		DICA	CAPACITOR		C950	1-162-970-11	CERAMIC CHIP 0.01UF 10.00% 25V			
3554		DICA	CAPACITOR		C952	1-127-715-91	CERAMIC CHIP 0.22UF 10% 16V			
3555		DICA	CAPACITOR		C1103	1-216-864-11	SHORT CHIP 0			
3556		DICA	CAPACITOR		C1106	1-126-246-11	ELECT CHIP 220UF 20.00% 4V			
3557		DICA	CAPACITOR		C1107	1-126-205-11	ELECT CHIP 47UF 20.00% 6.3V			
3558		DICA	CAPACITOR		C1108	1-107-826-11	CERAMIC CHIP 0.1UF 10.00% 16V			
3559		DICA	CAPACITOR		C1109	1-107-826-11	CERAMIC CHIP 0.1UF 10.00% 16V			
3560		DICA	CAPACITOR		C1116	1-107-826-11	CERAMIC CHIP 0.1UF 10.00% 16V			
3561		DICA	CAPACITOR		C1117	1-107-826-11	CERAMIC CHIP 0.1UF 10.00% 16V			
3562		DICA	CAPACITOR		C1118	1-107-826-11	CERAMIC CHIP 0.1UF 10.00% 16V			
3563		DICA	CAPACITOR		C1119	1-107-826-11	CERAMIC CHIP 0.1UF 10.00% 16V			
3564		DICA	CAPACITOR		C1120	1-107-826-11	CERAMIC CHIP 0.1UF 10.00% 16V			
3565		DICA	CAPACITOR		C1121	1-162-970-11	CERAMIC CHIP 0.01UF 10.00% 25V			
3566		DICA	CAPACITOR		C1122	1-162-970-11	CERAMIC CHIP 0.01UF 10.00% 25V			
3567		DICA	CAPACITOR		C1123	1-162-970-11	CERAMIC CHIP 0.01UF 10.00% 25V			
3568		DICA	CAPACITOR		C1124	1-107-826-11	CERAMIC CHIP 0.1UF 10.00% 16V			
3569		DICA	CAPACITOR		C1125	1-107-826-11	CERAMIC CHIP 0.1UF 10.00% 16V			

No.	#	Board	Type	△/*	Ref.No.	Part No.	Descrption	Remarks-1	Remarks-2	Difference
3570		DICA	CAPACITOR		C1126	1-107-826-11	CERAMIC CHIP 0.1UF 10.00% 16V			
3571		DICA	CAPACITOR		C1127	1-107-826-11	CERAMIC CHIP 0.1UF 10.00% 16V			
3572		DICA	CAPACITOR		C1128	1-107-826-11	CERAMIC CHIP 0.1UF 10.00% 16V			
3573		DICA	CAPACITOR		C1130	1-107-826-11	CERAMIC CHIP 0.1UF 10.00% 16V			
3574		DICA	CAPACITOR		C1131	1-162-970-11	CERAMIC CHIP 0.01UF 10.00% 25V			
3575		DICA	CAPACITOR		C1133	1-162-970-11	CERAMIC CHIP 0.01UF 10.00% 25V			
3576		DICA	CAPACITOR		C1134	1-107-826-11	CERAMIC CHIP 0.1UF 10.00% 16V			
3577		DICA	CAPACITOR		C1135	1-107-826-11	CERAMIC CHIP 0.1UF 10.00% 16V			
3578		DICA	CAPACITOR		C1136	1-162-970-11	CERAMIC CHIP 0.01UF 10.00% 25V			
3579		DICA	CAPACITOR		C1137	1-107-826-11	CERAMIC CHIP 0.1UF 10.00% 16V			
3580		DICA	CAPACITOR		C1138	1-162-917-11	CERAMIC CHIP 15PF 5.00% 50V			
3581		DICA	CAPACITOR		C1139	1-107-826-11	CERAMIC CHIP 0.1UF 10.00% 16V			
3582		DICA	CAPACITOR		C1140	1-162-917-11	CERAMIC CHIP 15PF 5.00% 50V			
3583		DICA	CAPACITOR		C1141	1-107-826-11	CERAMIC CHIP 0.1UF 10.00% 16V			
3584		DICA	CAPACITOR		C1142	1-107-826-11	CERAMIC CHIP 0.1UF 10.00% 16V			
3585		DICA	CAPACITOR		C1143	1-162-970-11	CERAMIC CHIP 0.01UF 10.00% 25V			
3586		DICA	CAPACITOR		C1144	1-162-970-11	CERAMIC CHIP 0.01UF 10.00% 25V			
3587		DICA	CAPACITOR		C1146	1-107-826-11	CERAMIC CHIP 0.1UF 10.00% 16V			
3588		DICA	CAPACITOR		C1147	1-162-970-11	CERAMIC CHIP 0.01UF 10.00% 25V			
3589		DICA	CAPACITOR		C1150	1-162-970-11	CERAMIC CHIP 0.01UF 10.00% 25V			
3590		DICA	CAPACITOR		C1151	1-162-970-11	CERAMIC CHIP 0.01UF 10.00% 25V			
3591		DICA	CAPACITOR		C1152	1-162-970-11	CERAMIC CHIP 0.01UF 10.00% 25V			
3592		DICA	CAPACITOR		C1153	1-107-826-11	CERAMIC CHIP 0.1UF 10.00% 16V			
3593		DICA	CAPACITOR		C1154	1-107-826-11	CERAMIC CHIP 0.1UF 10.00% 16V			
3594		DICA	CAPACITOR		C1155	1-162-970-11	CERAMIC CHIP 0.01UF 10.00% 25V			
3595		DICA	CAPACITOR		C1156	1-162-970-11	CERAMIC CHIP 0.01UF 10.00% 25V			
3596		DICA	CAPACITOR		C1157	1-162-970-11	CERAMIC CHIP 0.01UF 10.00% 25V			
3597		DICA	CAPACITOR		C1158	1-162-970-11	CERAMIC CHIP 0.01UF 10.00% 25V			
3598		DICA	CAPACITOR		C1159	1-162-970-11	CERAMIC CHIP 0.01UF 10.00% 25V			
3599		DICA	CAPACITOR		C1160	1-162-970-11	CERAMIC CHIP 0.01UF 10.00% 25V			
3600		DICA	CAPACITOR		C1161	1-162-970-11	CERAMIC CHIP 0.01UF 10.00% 25V			
3601		DICA	CAPACITOR		C1162	1-162-970-11	CERAMIC CHIP 0.01UF 10.00% 25V			
3602		DICA	CAPACITOR		C1163	1-162-970-11	CERAMIC CHIP 0.01UF 10.00% 25V			
3603		DICA	CAPACITOR		C1164	1-162-970-11	CERAMIC CHIP 0.01UF 10.00% 25V			
3604		DICA	CAPACITOR		C1165	1-162-970-11	CERAMIC CHIP 0.01UF 10.00% 25V			
3605		DICA	CAPACITOR		C1166	1-162-970-11	CERAMIC CHIP 0.01UF 10.00% 25V			
3606		DICA	CAPACITOR		C1167	1-162-970-11	CERAMIC CHIP 0.01UF 10.00% 25V			
3607		DICA	CAPACITOR		C1168	1-162-970-11	CERAMIC CHIP 0.01UF 10.00% 25V			
3608		DICA	CAPACITOR		C1169	1-162-970-11	CERAMIC CHIP 0.01UF 10.00% 25V			
3609		DICA	CAPACITOR		C1170	1-162-970-11	CERAMIC CHIP 0.01UF 10.00% 25V			
3610		DICA	CAPACITOR		C1171	1-162-970-11	CERAMIC CHIP 0.01UF 10.00% 25V			
3611		DICA	CAPACITOR		C1172	1-162-970-11	CERAMIC CHIP 0.01UF 10.00% 25V			
3612		DICA	CAPACITOR		C1173	1-162-970-11	CERAMIC CHIP 0.01UF 10.00% 25V			

No.	#	Board	Type	△/*	Ref.No.	Part No.	Description	Remarks-1	Remarks-2	Difference
3613		DICA	CAPACITOR		C1174	1-162-970-11	CERAMIC CHIP 0.01UF 10.00% 25V			
3614		DICA	CAPACITOR		C1175	1-162-970-11	CERAMIC CHIP 0.01UF 10.00% 25V			
3615		DICA	CAPACITOR		C1176	1-162-970-11	CERAMIC CHIP 0.01UF 10.00% 25V			
3616		DICA	CAPACITOR		C1177	1-162-970-11	CERAMIC CHIP 0.01UF 10.00% 25V			
3617		DICA	CAPACITOR		C1178	1-162-970-11	CERAMIC CHIP 0.01UF 10.00% 25V			
3618		DICA	CAPACITOR		C1179	1-162-970-11	CERAMIC CHIP 0.01UF 10.00% 25V			
3619		DICA	CAPACITOR		C1180	1-162-970-11	CERAMIC CHIP 0.01UF 10.00% 25V			
3620		DICA	CAPACITOR		C1181	1-162-970-11	CERAMIC CHIP 0.01UF 10.00% 25V			
3621		DICA	CAPACITOR		C1182	1-162-970-11	CERAMIC CHIP 0.01UF 10.00% 25V			
3622		DICA	CAPACITOR		C1183	1-162-970-11	CERAMIC CHIP 0.01UF 10.00% 25V			
3623		DICA	CAPACITOR		C1184	1-162-970-11	CERAMIC CHIP 0.01UF 10.00% 25V			
3624		DICA	CAPACITOR		C1185	1-162-970-11	CERAMIC CHIP 0.01UF 10.00% 25V			
3625		DICA	CAPACITOR		C1186	1-162-970-11	CERAMIC CHIP 0.01UF 10.00% 25V			
3626		DICA	CAPACITOR		C1187	1-162-970-11	CERAMIC CHIP 0.01UF 10.00% 25V			
3627		DICA	CAPACITOR		C1188	1-162-970-11	CERAMIC CHIP 0.01UF 10.00% 25V			
3628		DICA	CAPACITOR		C1189	1-162-970-11	CERAMIC CHIP 0.01UF 10.00% 25V			
3629		DICA	CAPACITOR		C1190	1-162-970-11	CERAMIC CHIP 0.01UF 10.00% 25V			
3630		DICA	CAPACITOR		C1191	1-162-970-11	CERAMIC CHIP 0.01UF 10.00% 25V			
3631		DICA	CAPACITOR		C1192	1-124-778-00	ELECT CHIP 22UF 20.00% 6.3V			
3632		DICA	CAPACITOR		C1193	1-124-778-00	ELECT CHIP 22UF 20.00% 6.3V			
3633		DICA	CAPACITOR		C1198	1-107-826-11	CERAMIC CHIP 0.1UF 10.00% 16V			
3634		DICA	CAPACITOR		C1203	1-124-779-00	ELECT CHIP 10UF 20.00% 16V			
3635		DICA	CAPACITOR		C1204	1-124-779-00	ELECT CHIP 10UF 20.00% 16V			
3636		DICA	CAPACITOR		C1205	1-124-779-00	ELECT CHIP 10UF 20.00% 16V			
3637		DICA	CAPACITOR		C1206	1-165-643-21	ELECT CHIP 150UF 20% 4V			
3638		DICA	CAPACITOR		C1302	1-162-970-11	CERAMIC CHIP 0.01UF 10.00% 25V			
3639		DICA	CAPACITOR		C1303	1-107-826-11	CERAMIC CHIP 0.1UF 10.00% 16V			
3640		DICA	CAPACITOR		C1304	1-107-826-11	CERAMIC CHIP 0.1UF 10.00% 16V			
3641		DICA	CAPACITOR		C1305	1-162-968-11	CERAMIC CHIP 0.0047UF 10.00% 50V			
3642		DICA	CAPACITOR		C1306	1-107-826-11	CERAMIC CHIP 0.1UF 10.00% 16V			
3643		DICA	CAPACITOR		C1307	1-126-206-11	ELECT CHIP 100UF 20.00% 6.3V			
3644		DICA	CAPACITOR		C1308	1-162-970-11	CERAMIC CHIP 0.01UF 10.00% 25V			
3645		DICA	CAPACITOR		C1309	1-107-826-11	CERAMIC CHIP 0.1UF 10.00% 16V			
3646		DICA	CAPACITOR		C1310	1-107-826-11	CERAMIC CHIP 0.1UF 10.00% 16V			
3647		DICA	CAPACITOR		C1311	1-107-826-11	CERAMIC CHIP 0.1UF 10.00% 16V			
3648		DICA	CAPACITOR		C1401	1-164-156-11	CERAMIC CHIP 0.1UF 25V			
3649		DICA	CAPACITOR		C1402	1-164-156-11	CERAMIC CHIP 0.1UF 25V			
3650		DICA	CAPACITOR		C1403	1-107-826-11	CERAMIC CHIP 0.1UF 10.00% 16V			
3651		DICA	CAPACITOR		C1404	1-107-826-11	CERAMIC CHIP 0.1UF 10.00% 16V			
3652		DICA	CAPACITOR		C1405	1-107-826-11	CERAMIC CHIP 0.1UF 10.00% 16V			
3653		DICA	CAPACITOR		C1406	1-126-206-11	ELECT CHIP 100UF 20.00% 6.3V			
3654		DICA	CAPACITOR		C1407	1-107-826-11	CERAMIC CHIP 0.1UF 10.00% 16V			
3655		DICA	CAPACITOR		C1408	1-126-206-11	ELECT CHIP 100UF 20.00% 6.3V			

No.	#	Board	Type	△/*	Ref.No.	Part No.	Description	Remarks-1	Remarks-2	Difference
3656		DICA	CAPACITOR		C1409	1-107-826-11	CERAMIC CHIP 0.1UF 10.00% 16V			
3657		DICA	CAPACITOR		C1410	1-107-826-11	CERAMIC CHIP 0.1UF 10.00% 16V			
3658		DICA	CAPACITOR		C1411	1-107-826-11	CERAMIC CHIP 0.1UF 10.00% 16V			
3659		DICA	CAPACITOR		C1412	1-125-891-11	CERAMIC CHIP 0.47UF 10.00% 10V			
3660		DICA	CAPACITOR		C1413	1-107-826-11	CERAMIC CHIP 0.1UF 10.00% 16V			
3661		DICA	CAPACITOR		C1414	1-107-826-11	CERAMIC CHIP 0.1UF 10.00% 16V			
3662		DICA	CAPACITOR		C1415	1-107-826-11	CERAMIC CHIP 0.1UF 10.00% 16V			
3663		DICA	CAPACITOR		C1416	1-125-891-11	CERAMIC CHIP 0.47UF 10.00% 10V			
3664		DICA	CAPACITOR		C1417	1-107-826-11	CERAMIC CHIP 0.1UF 10.00% 16V			
3665		DICA	CAPACITOR		C1418	1-107-826-11	CERAMIC CHIP 0.1UF 10.00% 16V			
3666		DICA	CAPACITOR		C1419	1-107-826-11	CERAMIC CHIP 0.1UF 10.00% 16V			
3667		DICA	CAPACITOR		C1420	1-107-826-11	CERAMIC CHIP 0.1UF 10.00% 16V			
3668		DICA	CAPACITOR		C1421	1-164-156-11	CERAMIC CHIP 0.1UF 25V			
3669		DICA	CAPACITOR		C1422	1-107-826-11	CERAMIC CHIP 0.1UF 10.00% 16V			
3670		DICA	CAPACITOR		C1423	1-107-826-11	CERAMIC CHIP 0.1UF 10.00% 16V			
3671		DICA	CAPACITOR		C1424	1-164-230-11	CERAMIC CHIP 220PF 5.00% 50V			
3672		DICA	CAPACITOR		C1425	1-164-230-11	CERAMIC CHIP 220PF 5.00% 50V			
3673		DICA	CAPACITOR		C1426	1-107-826-11	CERAMIC CHIP 0.1UF 10.00% 16V			
3674		DICA	CAPACITOR		C1427	1-117-681-11	ELECT CHIP 100UF 20.00% 16V			
3675		DICA	CAPACITOR		C1428	1-164-156-11	CERAMIC CHIP 0.1UF 25V			
3676		DICA	CAPACITOR		C1429	1-124-779-00	ELECT CHIP 10UF 20.00% 16V			
3677		DICA	CAPACITOR		C1430	1-107-826-11	CERAMIC CHIP 0.1UF 10.00% 16V			
3678		DICA	CONNECTOR	*	CN401	1-778-393-11	PIN, PC CONNECTOR 96P			
3679		DICA	CONNECTOR	*	CN402	1-764-333-11	PLUG, CONNECTOR 10P			
3680		DICA	CONNECTOR	*	CN403	1-816-638-21	CONNECTOR, BOARD TO BOARD 60P			
3681		DICA	CONNECTOR	*	CN405	1-785-427-11	CONNECTOR, BOARD TO WIRE 20P			
3682		DICA	DIODE		D601	8-719-914-44	DIODE DAP202K			
3683		DICA	DIODE		D602	8-719-914-43	DIODE DAN202K			
3684		DICA	DIODE		D1103	8-719-914-44	DIODE DAP202K			
3685		DICA	DIODE		D1104	8-719-914-43	DIODE DAN202K			
3686		DICA	DIODE		D1301	8-719-025-34	DIODE 02CZ6.8-TE85L			
3687		DICA	DIODE		D1304	8-719-800-76	DIODE 1SS226			
3688		DICA	DIODE		D1305	8-719-800-76	DIODE 1SS226			
3689		DICA	FERRITE		FB401	1-414-228-11	FERRITE 0UH			
3690		DICA	FERRITE		FB402	1-414-228-11	FERRITE 0UH			
3691		DICA	FERRITE		FB403	1-414-228-11	FERRITE 0UH			
3692		DICA	FERRITE		FB404	1-414-228-11	FERRITE 0UH			
3693		DICA	FERRITE		FB410	1-216-864-11	SHORT CHIP 0			
3694		DICA	FERRITE		FB411	1-216-864-11	SHORT CHIP 0			
3695		DICA	FERRITE		FB414	1-216-864-11	SHORT CHIP 0			
3696		DICA	FERRITE		FB415	1-216-864-11	SHORT CHIP 0			
3697		DICA	FERRITE		FB416	1-216-864-11	SHORT CHIP 0			
3698		DICA	FERRITE		FB430	1-414-228-11	FERRITE 0UH			

No.	#	Board	Type	△/*	Ref.No.	Part No.	Description	Remarks-1	Remarks-2	Difference
3699		DICA	FERRITE		FB431	1-414-228-11	FERRITE 0UH			
3700		DICA	FERRITE		FB433	1-216-864-11	SHORT CHIP 0			
3701		DICA	FERRITE		FB434	1-216-864-11	SHORT CHIP 0			
3702		DICA	FERRITE		FB435	1-216-864-11	SHORT CHIP 0			
3703		DICA	FERRITE		FB436	1-216-864-11	SHORT CHIP 0			
3704		DICA	FERRITE		FB437	1-414-228-11	FERRITE 0UH			
3705		DICA	FERRITE		FB438	1-216-864-11	SHORT CHIP 0			
3706		DICA	FERRITE		FB439	1-216-864-11	SHORT CHIP 0			
3707		DICA	FERRITE		FB440	1-216-864-11	SHORT CHIP 0			
3708		DICA	FERRITE		FB442	1-216-864-11	SHORT CHIP 0			
3709		DICA	FERRITE		FB443	1-216-864-11	SHORT CHIP 0			
3710		DICA	FERRITE		FB444	1-216-864-11	SHORT CHIP 0			
3711		DICA	FERRITE		FB445	1-216-864-11	SHORT CHIP 0			
3712		DICA	FERRITE		FB446	1-216-864-11	SHORT CHIP 0			
3713		DICA	FERRITE		FB447	1-216-864-11	SHORT CHIP 0			
3714		DICA	FERRITE		FB448	1-216-864-11	SHORT CHIP 0			
3715		DICA	FERRITE		FB449	1-216-864-11	SHORT CHIP 0			
3716		DICA	FERRITE		FB450	1-216-864-11	SHORT CHIP 0			
3717		DICA	FERRITE		FB451	1-216-864-11	SHORT CHIP 0			
3718		DICA	FERRITE		FB452	1-414-921-11	FERRITE 0UH			
3719		DICA	FERRITE		FB453	1-414-228-11	FERRITE 0UH			
3720		DICA	FERRITE		FB454	1-414-228-11	FERRITE 0UH			
3721		DICA	FERRITE		FB455	1-414-228-11	FERRITE 0UH			
3722		DICA	FERRITE		FB457	1-414-228-11	FERRITE 0UH			
3723		DICA	FERRITE		FB601	1-216-864-11	SHORT CHIP 0			
3724		DICA	FERRITE		FB602	1-216-864-11	SHORT CHIP 0			
3725		DICA	FERRITE		FB603	1-216-295-91	SHORT CHIP 0			
3726		DICA	FERRITE		FB604	1-216-295-91	SHORT CHIP 0			
3727		DICA	FERRITE		FB605	1-216-864-11	SHORT CHIP 0			
3728		DICA	FERRITE		FB606	1-216-295-91	SHORT CHIP 0			
3729		DICA	FERRITE		FB607	1-216-864-11	SHORT CHIP 0			
3730		DICA	FERRITE		FB608	1-216-864-11	SHORT CHIP 0			
3731		DICA	FERRITE		FB609	1-216-295-91	SHORT CHIP 0			
3732		DICA	FERRITE		FB610	1-216-295-91	SHORT CHIP 0			
3733		DICA	FERRITE		FB611	1-216-295-91	SHORT CHIP 0			
3734		DICA	FERRITE		FB612	1-414-234-22	FERRITE 0UH			
3735		DICA	FERRITE		FB613	1-216-295-91	SHORT CHIP 0			
3736		DICA	FERRITE		FB614	1-216-295-91	SHORT CHIP 0			
3737		DICA	FERRITE		FB615	1-216-864-11	SHORT CHIP 0			
3738		DICA	FERRITE		FB616	1-216-864-11	SHORT CHIP 0			
3739		DICA	FERRITE		FB617	1-216-295-91	SHORT CHIP 0			
3740		DICA	FERRITE		FB618	1-216-295-91	SHORT CHIP 0			
3741		DICA	FERRITE		FB619	1-216-864-11	SHORT CHIP 0			

No.	#	Board	Type	△/*	Ref.No.	Part No.	Description	Remarks-1	Remarks-2	Difference
3742		DICA	FERRITE		FB620	1-216-864-11	SHORT CHIP 0			
3743		DICA	FERRITE		FB621	1-216-864-11	SHORT CHIP 0			
3744		DICA	FERRITE		FB622	1-216-864-11	SHORT CHIP 0			
3745		DICA	FERRITE		FB623	1-216-864-11	SHORT CHIP 0			
3746		DICA	FERRITE		FB624	1-216-864-11	SHORT CHIP 0			
3747		DICA	FERRITE		FB625	1-216-864-11	SHORT CHIP 0			
3748		DICA	FERRITE		FB626	1-216-864-11	SHORT CHIP 0			
3749		DICA	FERRITE		FB627	1-216-864-11	SHORT CHIP 0			
3750		DICA	FERRITE		FB628	1-216-864-11	SHORT CHIP 0			
3751		DICA	FERRITE		FB629	1-216-864-11	SHORT CHIP 0			
3752		DICA	FERRITE		FB630	1-216-864-11	SHORT CHIP 0			
3753		DICA	FERRITE		FB631	1-216-864-11	SHORT CHIP 0			
3754		DICA	FERRITE		FB632	1-216-864-11	SHORT CHIP 0			
3755		DICA	FERRITE		FB902	1-216-864-11	SHORT CHIP 0			
3756		DICA	FERRITE		FB903	1-216-295-91	SHORT CHIP 0			
3757		DICA	FERRITE		FB904	1-216-295-91	SHORT CHIP 0			
3758		DICA	FERRITE		FB1104	1-414-445-11	FERRITE 0UH			
3759		DICA	FERRITE		FB1106	1-216-295-91	SHORT CHIP 0			
3760		DICA	FERRITE		FB1107	1-216-295-91	SHORT CHIP 0			
3761		DICA	FERRITE		FB1108	1-216-295-91	SHORT CHIP 0			
3762		DICA	FERRITE		FB1302	1-216-295-91	SHORT CHIP 0			
3763		DICA	FILTER		FL401	1-234-560-21	FILTER, LOW PASS			
3764		DICA	FILTER		FL402	1-234-560-21	FILTER, LOW PASS			
3765		DICA	FILTER		FL403	1-234-559-21	FILTER, LOW PASS			
3766		DICA	FILTER		FL404	1-234-559-21	FILTER, LOW PASS			
3767		DICA	FILTER		FL405	1-234-559-21	FILTER, LOW PASS			
3768		DICA	FILTER		FL406	1-234-559-21	FILTER, LOW PASS			
3769		DICA	FILTER		FL407	1-239-848-11	FILTER, LOW PASS			
3770		DICA	FILTER		FL408	1-239-848-11	FILTER, LOW PASS			
3771		DICA	FILTER		FL409	1-239-848-11	FILTER, LOW PASS			
3772		DICA	FILTER		FL410	1-239-848-11	FILTER, LOW PASS			
3773		DICA	FILTER		FL411	1-234-494-21	FILTER, EMI REMOVAL (SMD)			
3774		DICA	FILTER		FL412	1-234-494-21	FILTER, EMI REMOVAL (SMD)			
3775		DICA	FILTER		FL413	1-234-494-21	FILTER, EMI REMOVAL (SMD)			
3776		DICA	FILTER		FL414	1-234-494-21	FILTER, EMI REMOVAL (SMD)			
3777		DICA	FILTER		FL415	1-234-494-21	FILTER, EMI REMOVAL (SMD)			
3778		DICA	FILTER		FL416	1-234-494-21	FILTER, EMI REMOVAL (SMD)			
3779		DICA	FILTER		FL417	1-234-494-21	FILTER, EMI REMOVAL (SMD)			
3780		DICA	FILTER		FL420	1-234-494-21	FILTER, EMI REMOVAL (SMD)			
3781		DICA	FILTER		FL601	1-234-677-21	FILTER, EMI			
3782		DICA	FILTER		FL1101	1-234-675-21	FILTER, EMI			
3783		DICA	IC		IC401	8-759-677-29	IC TC74LVX125FT(EL)			
3784		DICA	IC		IC403	8-759-548-56	IC M52055FP			



No.	#	Board	Type	△/*	Ref.No.	Part No.	Descrption	Remarks-1	Remarks-2	Difference
3785		DICA	IC		IC404	8-759-548-56	IC M52055FP			
3786		DICA	IC		IC405	6-703-073-01	IC THC63LVDM83C-T			
3787		DICA	IC		IC407	6-702-951-01	IC SN65LVD141PWR			
3788		DICA	IC		IC408	8-759-698-08	IC SN74CBTLV1G125DCKR			
3789		DICA	IC		IC451	6-701-680-01	IC PST3629NR			
3790		DICA	IC		IC601	8-759-687-14	IC MAX4451EKA-TG069			
3791		DICA	IC		IC602	8-759-687-14	IC MAX4451EKA-TG069			
3792		DICA	IC		IC603	8-752-405-04	IC CXD2094R			
3793		DICA	IC		IC604	8-759-687-14	IC MAX4451EKA-TG069			
3794		DICA	IC		IC605	8-759-687-14	IC MAX4451EKA-TG069			
3795		DICA	IC		IC606	8-752-405-04	IC CXD2094R			
3796		DICA	IC		IC607	6-703-747-01	IC UPD64083GF-3BA-B			
3797		DICA	IC		IC609	8-759-712-65	IC PQ070XZ01ZP			
3798		DICA	IC		IC610	8-759-712-65	IC PQ070XZ01ZP			
3799		DICA	IC		IC611	6-703-164-01	IC TC74VCX574FT(EL)			
3800		DICA	IC		IC612	6-703-181-01	IC TC74VCX74FT(EL)			
3801		DICA	IC		IC613	6-703-164-01	IC TC74VCX574FT(EL)			
3802		DICA	IC		IC614	6-703-181-01	IC TC74VCX74FT(EL)			
3803		DICA	IC		IC902	8-759-669-78	IC TLC2933IPWR-12			
3804		DICA	IC		IC904	8-759-676-70	IC MSM56V16160F-10TS-K			
3805		DICA	IC		IC905	8-752-419-58	IC CXD2097AQ			
3806		DICA	IC		IC1104	6-703-195-01	IC CXD9707CGP			
3807		DICA	IC		IC1106	6-703-430-01	IC MT48LC2M32B2TG-6-Y94W			
3808		DICA	IC		IC1107	6-703-430-01	IC MT48LC2M32B2TG-6-Y94W			
3809		DICA	IC		IC1302	8-759-684-72	IC M24C64-WMN6T(A)			
3810		DICA	IC		IC1303	6-802-998-01	IC MB94P918PF-G-159A			
3811		DICA	IC		IC1401	8-752-927-89	IC CXP964032-002Q			
3812		DICA	IC		IC1402	8-752-927-89	IC CXP964032-002Q			
3813		DICA	IC		IC1403	8-759-596-34	IC SN74LV4053APWR			
3814		DICA	CHIP CONDUCTOR		JR1101	1-216-864-11	SHORT CHIP 0			
3815		DICA	COIL		L401	1-412-029-11	INDUCTOR 10UH			
3816		DICA	COIL		L405	1-412-058-11	INDUCTOR 10UH			
3817		DICA	COIL		L601	1-412-058-11	INDUCTOR 10UH			
3818		DICA	COIL		L602	1-412-058-11	INDUCTOR 10UH			
3819		DICA	COIL		L603	1-412-058-11	INDUCTOR 10UH			
3820		DICA	COIL		L604	1-412-055-11	INDUCTOR 3.3UH			
3821		DICA	COIL		L605	1-412-058-11	INDUCTOR 10UH			
3822		DICA	COIL		L606	1-412-058-11	INDUCTOR 10UH			
3823		DICA	COIL		L607	1-412-058-11	INDUCTOR 10UH			
3824		DICA	COIL		L608	1-412-058-11	INDUCTOR 10UH			
3825		DICA	COIL		L609	1-412-058-11	INDUCTOR 10UH			
3826		DICA	COIL		L610	1-412-055-11	INDUCTOR 3.3UH			
3827		DICA	COIL		L611	1-412-058-11	INDUCTOR 10UH			

No.	#	Board	Type	△/*	Ref.No.	Part No.	Descrption	Remarks-1	Remarks-2	Difference
3828		DICA	COIL		L612	1-412-058-11	INDUCTOR 10UH			
3829		DICA	COIL		L613	1-412-058-11	INDUCTOR 10UH			
3830		DICA	COIL		L614	1-412-055-11	INDUCTOR 3.3UH			
3831		DICA	COIL		L615	1-412-058-11	INDUCTOR 10UH			
3832		DICA	COIL		L616	1-412-059-11	INDUCTOR 15UH			
3833		DICA	COIL		L617	1-412-058-11	INDUCTOR 10UH			
3834		DICA	COIL		L618	1-412-058-11	INDUCTOR 10UH			
3835		DICA	COIL		L619	1-412-055-11	INDUCTOR 3.3UH			
3836		DICA	COIL		L901	1-412-064-11	INDUCTOR 100UH			
3837		DICA	COIL		L902	1-412-064-11	INDUCTOR 100UH			
3838		DICA	COIL		L903	1-412-052-21	INDUCTOR 1UH			
3839		DICA	COIL		L905	1-412-058-11	INDUCTOR 10UH			
3840		DICA	COIL		L906	1-412-058-11	INDUCTOR 10UH			
3841		DICA	COIL		L1102	1-412-053-21	INDUCTOR 1.5UH			
3842		DICA	COIL		L1103	1-412-058-11	INDUCTOR 10UH			
3843		DICA	COIL		L1105	1-412-029-11	INDUCTOR 10UH			
3844		DICA	COIL		L1106	1-469-555-21	INDUCTOR 10UH			
3845		DICA	COIL		L1107	1-412-029-11	INDUCTOR 10UH			
3846		DICA	COIL		L1108	1-412-029-11	INDUCTOR 10UH			
3847		DICA	COIL		L1109	1-412-029-11	INDUCTOR 10UH			
3848		DICA	COIL		L1110	1-412-029-11	INDUCTOR 10UH			
3849		DICA	COIL		L1111	1-412-053-21	INDUCTOR 1.5UH			
3850		DICA	COIL		L1301	1-412-058-11	INDUCTOR 10UH			
3851		DICA	COIL		L1401	1-469-555-21	INDUCTOR 10UH			
3852		DICA	COIL		L1402	1-469-555-21	INDUCTOR 10UH			
3853		DICA	COIL		L1403	1-469-555-21	INDUCTOR 10UH			
3854		DICA	COIL		L1404	1-469-555-21	INDUCTOR 10UH			
3855		DICA	TRANSISTOR		Q402	8-729-026-53	TRANSISTOR 2SA1576A-T106-QR			
3856		DICA	TRANSISTOR		Q405	8-729-905-35	TRANSISTOR 2SC4081-R			
3857		DICA	TRANSISTOR		Q407	8-729-117-73	TRANSISTOR 2SC4178-F14			
3858		DICA	TRANSISTOR		Q411	8-729-026-53	TRANSISTOR 2SA1576A-T106-QR			
3859		DICA	TRANSISTOR		Q414	8-729-905-35	TRANSISTOR 2SC4081-R			
3860		DICA	TRANSISTOR		Q416	8-729-117-73	TRANSISTOR 2SC4178-F14			
3861		DICA	TRANSISTOR		Q420	8-729-117-73	TRANSISTOR 2SC4178-F14			
3862		DICA	TRANSISTOR		Q427	8-729-117-73	TRANSISTOR 2SC4178-F14			
3863		DICA	TRANSISTOR		Q428	8-729-117-73	TRANSISTOR 2SC4178-F14			
3864		DICA	TRANSISTOR		Q429	8-729-117-73	TRANSISTOR 2SC4178-F14			
3865		DICA	TRANSISTOR		Q430	8-729-117-73	TRANSISTOR 2SC4178-F14			
3866		DICA	TRANSISTOR		Q431	8-729-117-73	TRANSISTOR 2SC4178-F14			
3867		DICA	TRANSISTOR		Q432	8-729-117-73	TRANSISTOR 2SC4178-F14			
3868		DICA	TRANSISTOR		Q436	8-729-028-97	TRANSISTOR DTC114TUA-T106			
3869		DICA	TRANSISTOR		Q601	8-729-905-35	TRANSISTOR 2SC4081-R			
3870		DICA	TRANSISTOR		Q602	8-729-117-73	TRANSISTOR 2SC4178-F14			

No.	#	Board	Type	△/*	Ref.No.	Part No.	Descrption	Remarks-1	Remarks-2	Difference
3871		DICA	TRANSISTOR		Q604	8-729-117-73	TRANSISTOR 2SC4178-F14			
3872		DICA	TRANSISTOR		Q605	8-729-028-28	TRANSISTOR 2SK2036(TE85L)			
3873		DICA	TRANSISTOR		Q606	8-729-028-28	TRANSISTOR 2SK2036(TE85L)			
3874		DICA	TRANSISTOR		Q607	8-729-905-35	TRANSISTOR 2SC4081-R			
3875		DICA	TRANSISTOR		Q608	8-729-122-63	TRANSISTOR 2SA1226-E4			
3876		DICA	TRANSISTOR		Q609	8-729-122-63	TRANSISTOR 2SA1226-E4			
3877		DICA	TRANSISTOR		Q610	8-729-122-63	TRANSISTOR 2SA1226-E4			
3878		DICA	TRANSISTOR		Q611	8-729-122-63	TRANSISTOR 2SA1226-E4			
3879		DICA	TRANSISTOR		Q612	8-729-122-63	TRANSISTOR 2SA1226-E4			
3880		DICA	TRANSISTOR		Q613	8-729-122-63	TRANSISTOR 2SA1226-E4			
3881		DICA	TRANSISTOR		Q614	8-729-905-35	TRANSISTOR 2SC4081-R			
3882		DICA	TRANSISTOR		Q615	8-729-117-73	TRANSISTOR 2SC4178-F14			
3883		DICA	TRANSISTOR		Q616	8-729-117-73	TRANSISTOR 2SC4178-F14			
3884		DICA	TRANSISTOR		Q618	8-729-905-35	TRANSISTOR 2SC4081-R			
3885		DICA	TRANSISTOR		Q619	8-729-905-35	TRANSISTOR 2SC4081-R			
3886		DICA	TRANSISTOR		Q620	8-729-905-35	TRANSISTOR 2SC4081-R			
3887		DICA	TRANSISTOR		Q621	8-729-905-35	TRANSISTOR 2SC4081-R			
3888		DICA	TRANSISTOR		Q622	8-729-905-35	TRANSISTOR 2SC4081-R			
3889		DICA	TRANSISTOR		Q623	8-729-905-35	TRANSISTOR 2SC4081-R			
3890		DICA	TRANSISTOR		Q624	8-729-026-53	TRANSISTOR 2SA1576A-T106-QR			
3891		DICA	TRANSISTOR		Q625	8-729-026-53	TRANSISTOR 2SA1576A-T106-QR			
3892		DICA	TRANSISTOR		Q626	8-729-905-35	TRANSISTOR 2SC4081-R			
3893		DICA	TRANSISTOR		Q627	8-729-905-35	TRANSISTOR 2SC4081-R			
3894		DICA	TRANSISTOR		Q628	8-729-905-35	TRANSISTOR 2SC4081-R			
3895		DICA	TRANSISTOR		Q629	8-729-905-35	TRANSISTOR 2SC4081-R			
3896		DICA	TRANSISTOR		Q630	8-729-026-53	TRANSISTOR 2SA1576A-T106-QR			
3897		DICA	TRANSISTOR		Q631	8-729-026-53	TRANSISTOR 2SA1576A-T106-QR			
3898		DICA	TRANSISTOR		Q632	8-729-026-53	TRANSISTOR 2SA1576A-T106-QR			
3899		DICA	TRANSISTOR		Q633	8-729-905-35	TRANSISTOR 2SC4081-R			
3900		DICA	TRANSISTOR		Q634	8-729-905-35	TRANSISTOR 2SC4081-R			
3901		DICA	TRANSISTOR		Q635	8-729-026-53	TRANSISTOR 2SA1576A-T106-QR			
3902		DICA	TRANSISTOR		Q901	8-729-026-53	TRANSISTOR 2SA1576A-T106-QR			
3903		DICA	TRANSISTOR		Q902	8-729-905-35	TRANSISTOR 2SC4081-R			
3904		DICA	TRANSISTOR		Q1101	8-729-028-28	TRANSISTOR 2SK2036(TE85L)			
3905		DICA	TRANSISTOR		Q1102	8-729-028-28	TRANSISTOR 2SK2036(TE85L)			
3906		DICA	TRANSISTOR		Q1301	1-801-806-11	TRANSISTOR DTC144EKA-T146			
3907		DICA	TRANSISTOR		Q1302	8-729-028-97	TRANSISTOR DTC114TUA-T106			
3908		DICA	TRANSISTOR		Q1303	8-729-026-53	TRANSISTOR 2SA1576A-T106-QR			
3909		DICA	TRANSISTOR		Q1304	8-729-026-53	TRANSISTOR 2SA1576A-T106-QR			
3910		DICA	TRANSISTOR		Q1305	8-729-028-97	TRANSISTOR DTC114TUA-T106			
3911		DICA	TRANSISTOR		Q1401	8-729-026-53	TRANSISTOR 2SA1576A-T106-QR			
3912		DICA	TRANSISTOR		Q1402	8-729-026-53	TRANSISTOR 2SA1576A-T106-QR			
3913		DICA	TRANSISTOR		Q1403	8-729-905-35	TRANSISTOR 2SC4081-R			

No.	#	Board	Type	△/*	Ref.No.	Part No.	Descrption	Remarks-1	Remarks-2	Difference
3914		DICA	TRANSISTOR		Q1404	8-729-905-35	TRANSISTOR 2SC4081-R			
3915		DICA	RESISTOR		R403	1-216-801-11	METAL CHIP 22 5% 1/10W			
3916		DICA	RESISTOR		R404	1-216-801-11	METAL CHIP 22 5% 1/10W			
3917		DICA	RESISTOR		R406	1-216-809-11	METAL CHIP 100 5% 1/10W			
3918		DICA	RESISTOR		R407	1-216-809-11	METAL CHIP 100 5% 1/10W			
3919		DICA	RESISTOR		R408	1-216-809-11	METAL CHIP 100 5% 1/10W			
3920		DICA	RESISTOR		R409	1-216-805-11	METAL CHIP 47 5% 1/10W			
3921		DICA	RESISTOR		R410	1-216-809-11	METAL CHIP 100 5% 1/10W			
3922		DICA	RESISTOR		R414	1-216-805-11	METAL CHIP 47 5% 1/10W			
3923		DICA	RESISTOR		R415	1-218-678-11	METAL CHIP 270 0.5% 1/10W			
3924		DICA	RESISTOR		R416	1-218-692-11	METAL CHIP 1K 0.5% 1/10W			
3925		DICA	RESISTOR		R417	1-216-864-11	SHORT CHIP 0			
3926		DICA	RESISTOR		R422	1-216-821-11	METAL CHIP 1K 5% 1/10W			
3927		DICA	RESISTOR		R424	1-216-821-11	METAL CHIP 1K 5% 1/10W			
3928		DICA	RESISTOR		R427	1-216-805-11	METAL CHIP 47 5% 1/10W			
3929		DICA	RESISTOR		R435	1-216-805-11	METAL CHIP 47 5% 1/10W			
3930		DICA	RESISTOR		R438	1-216-809-11	METAL CHIP 100 5% 1/10W			
3931		DICA	RESISTOR		R439	1-216-809-11	METAL CHIP 100 5% 1/10W			
3932		DICA	RESISTOR		R441	1-216-864-11	SHORT CHIP 0			
3933		DICA	RESISTOR		R442	1-218-692-11	METAL CHIP 1K 0.5% 1/10W			
3934		DICA	RESISTOR		R447	1-216-821-11	METAL CHIP 1K 5% 1/10W			
3935		DICA	RESISTOR		R449	1-216-821-11	METAL CHIP 1K 5% 1/10W			
3936		DICA	RESISTOR		R453	1-216-805-11	METAL CHIP 47 5% 1/10W			
3937		DICA	RESISTOR		R455	1-216-864-11	SHORT CHIP 0			
3938		DICA	RESISTOR		R456	1-216-864-11	SHORT CHIP 0			
3939		DICA	RESISTOR		R459	1-216-821-11	METAL CHIP 1K 5% 1/10W			
3940		DICA	RESISTOR		R475	1-216-821-11	METAL CHIP 1K 5% 1/10W			
3941		DICA	RESISTOR		R476	1-216-821-11	METAL CHIP 1K 5% 1/10W			
3942		DICA	RESISTOR		R477	1-216-821-11	METAL CHIP 1K 5% 1/10W			
3943		DICA	RESISTOR		R478	1-216-809-11	METAL CHIP 100 5% 1/10W			
3944		DICA	RESISTOR		R479	1-216-821-11	METAL CHIP 1K 5% 1/10W			
3945		DICA	RESISTOR		R480	1-216-809-11	METAL CHIP 100 5% 1/10W			
3946		DICA	RESISTOR		R481	1-216-821-11	METAL CHIP 1K 5% 1/10W			
3947		DICA	RESISTOR		R482	1-216-809-11	METAL CHIP 100 5% 1/10W			
3948		DICA	RESISTOR		R483	1-216-821-11	METAL CHIP 1K 5% 1/10W			
3949		DICA	RESISTOR		R484	1-216-821-11	METAL CHIP 1K 5% 1/10W			
3950		DICA	RESISTOR		R485	1-216-809-11	METAL CHIP 100 5% 1/10W			
3951		DICA	RESISTOR		R486	1-216-821-11	METAL CHIP 1K 5% 1/10W			
3952		DICA	RESISTOR		R487	1-216-821-11	METAL CHIP 1K 5% 1/10W			
3953		DICA	RESISTOR		R488	1-216-809-11	METAL CHIP 100 5% 1/10W			
3954		DICA	RESISTOR		R489	1-216-821-11	METAL CHIP 1K 5% 1/10W			
3955		DICA	RESISTOR		R490	1-216-809-11	METAL CHIP 100 5% 1/10W			
3956		DICA	RESISTOR		R491	1-216-821-11	METAL CHIP 1K 5% 1/10W			

No.	#	Board	Type	△/*	Ref.No.	Part No.	Descrption	Remarks-1	Remarks-2	Difference
3957		DICA	RESISTOR		R492	1-216-821-11	METAL CHIP 1K 5% 1/10W			
3958		DICA	RESISTOR		R502	1-216-864-11	SHORT CHIP 0			
3959		DICA	RESISTOR		R504	1-216-801-11	METAL CHIP 22 5% 1/10W			
3960		DICA	RESISTOR		R505	1-216-809-11	METAL CHIP 100 5% 1/10W			
3961		DICA	RESISTOR		R506	1-216-809-11	METAL CHIP 100 5% 1/10W			
3962		DICA	RESISTOR		R508	1-216-797-11	METAL CHIP 10 5% 1/10W			
3963		DICA	RESISTOR		R511	1-216-833-11	METAL CHIP 10K 5% 1/10W			
3964		DICA	RESISTOR		R521	1-216-864-11	SHORT CHIP 0			
3965		DICA	RESISTOR		R522	1-216-864-11	SHORT CHIP 0			
3966		DICA	RESISTOR		R602	1-218-706-11	METAL CHIP 3.9K 0.5% 1/10W			
3967		DICA	RESISTOR		R603	1-218-712-11	METAL CHIP 6.8K 0.5% 1/10W			
3968		DICA	RESISTOR		R604	1-216-847-11	METAL CHIP 150K 5% 1/10W			
3969		DICA	RESISTOR		R605	1-218-652-11	METAL CHIP 22 0.5% 1/10W			
3970		DICA	RESISTOR		R606	1-218-668-11	METAL CHIP 100 0.5% 1/10W			
3971		DICA	RESISTOR		R607	1-218-668-11	METAL CHIP 100 0.5% 1/10W			
3972		DICA	RESISTOR		R609	1-216-864-11	SHORT CHIP 0			
3973		DICA	RESISTOR		R610	1-216-864-11	SHORT CHIP 0			
3974		DICA	RESISTOR		R611	1-216-864-11	SHORT CHIP 0			
3975		DICA	RESISTOR		R612	1-216-819-11	METAL CHIP 680 5% 1/10W			
3976		DICA	RESISTOR		R614	1-216-819-11	METAL CHIP 680 5% 1/10W			
3977		DICA	RESISTOR		R615	1-218-684-11	METAL CHIP 470 0.5% 1/10W			
3978		DICA	RESISTOR		R616	1-216-833-11	METAL CHIP 10K 5% 1/10W			
3979		DICA	RESISTOR		R617	1-218-684-11	METAL CHIP 470 0.5% 1/10W			
3980		DICA	RESISTOR		R618	1-218-684-11	METAL CHIP 470 0.5% 1/10W			
3981		DICA	RESISTOR		R619	1-216-833-11	METAL CHIP 10K 5% 1/10W			
3982		DICA	RESISTOR		R620	1-218-679-11	METAL CHIP 300 0.5% 1/10W			
3983		DICA	RESISTOR		R621	1-218-679-11	METAL CHIP 300 0.5% 1/10W			
3984		DICA	RESISTOR		R622	1-218-675-11	METAL CHIP 200 0.5% 1/10W			
3985		DICA	RESISTOR		R623	1-218-679-11	METAL CHIP 300 0.5% 1/10W			
3986		DICA	RESISTOR		R624	1-218-679-11	METAL CHIP 300 0.5% 1/10W			
3987		DICA	RESISTOR		R625	1-218-675-11	METAL CHIP 200 0.5% 1/10W			
3988		DICA	RESISTOR		R626	1-218-684-11	METAL CHIP 470 0.5% 1/10W			
3989		DICA	RESISTOR		R627	1-216-809-11	METAL CHIP 100 5% 1/10W			
3990		DICA	RESISTOR		R628	1-216-809-11	METAL CHIP 100 5% 1/10W			
3991		DICA	RESISTOR		R629	1-218-708-11	METAL CHIP 4.7K 0.5% 1/10W			
3992		DICA	RESISTOR		R630	1-218-690-11	METAL CHIP 820 0.5% 1/10W			
3993		DICA	RESISTOR		R631	1-218-708-11	METAL CHIP 4.7K 0.5% 1/10W			
3994		DICA	RESISTOR		R632	1-216-864-11	SHORT CHIP 0			
3995		DICA	RESISTOR		R633	1-218-644-11	METAL CHIP 10 0.5% 1/10W			
3996		DICA	RESISTOR		R634	1-218-656-11	METAL CHIP 33 0.5% 1/10W			
3997		DICA	RESISTOR		R635	1-218-666-11	METAL CHIP 82 0.5% 1/10W			
3998		DICA	RESISTOR		R636	1-218-644-11	METAL CHIP 10 0.5% 1/10W			
3999		DICA	RESISTOR		R638	1-218-675-11	METAL CHIP 200 0.5% 1/10W			

No.	#	Board	Type	△/*	Ref.No.	Part No.	Description	Remarks-1	Remarks-2	Difference
4000		DICA	RESISTOR		R639	1-216-809-11	METAL CHIP 100 5% 1/10W			
4001		DICA	RESISTOR		R640	1-218-675-11	METAL CHIP 200 0.5% 1/10W			
4002		DICA	RESISTOR		R641	1-216-809-11	METAL CHIP 100 5% 1/10W			
4003		DICA	RESISTOR		R642	1-216-809-11	METAL CHIP 100 5% 1/10W			
4004		DICA	RESISTOR		R643	1-218-679-11	METAL CHIP 300 0.5% 1/10W			
4005		DICA	RESISTOR		R644	1-216-809-11	METAL CHIP 100 5% 1/10W			
4006		DICA	RESISTOR		R645	1-218-679-11	METAL CHIP 300 0.5% 1/10W			
4007		DICA	RESISTOR		R646	1-216-809-11	METAL CHIP 100 5% 1/10W			
4008		DICA	RESISTOR		R647	1-218-679-11	METAL CHIP 300 0.5% 1/10W			
4009		DICA	RESISTOR		R648	1-216-809-11	METAL CHIP 100 5% 1/10W			
4010		DICA	RESISTOR		R649	1-218-679-11	METAL CHIP 300 0.5% 1/10W			
4011		DICA	RESISTOR		R651	1-218-684-11	METAL CHIP 470 0.5% 1/10W			
4012		DICA	RESISTOR		R653	1-218-656-11	METAL CHIP 33 0.5% 1/10W			
4013		DICA	RESISTOR		R654	1-218-666-11	METAL CHIP 82 0.5% 1/10W			
4014		DICA	RESISTOR		R656	1-216-864-11	SHORT CHIP 0			
4015		DICA	RESISTOR		R657	1-218-708-11	METAL CHIP 4.7K 0.5% 1/10W			
4016		DICA	RESISTOR		R658	1-216-823-11	METAL CHIP 1.5K 5% 1/10W			
4017		DICA	RESISTOR		R659	1-216-823-11	METAL CHIP 1.5K 5% 1/10W			
4018		DICA	RESISTOR		R660	1-216-823-11	METAL CHIP 1.5K 5% 1/10W			
4019		DICA	RESISTOR		R661	1-216-823-11	METAL CHIP 1.5K 5% 1/10W			
4020		DICA	RESISTOR		R662	1-216-823-11	METAL CHIP 1.5K 5% 1/10W			
4021		DICA	RESISTOR		R663	1-216-823-11	METAL CHIP 1.5K 5% 1/10W			
4022		DICA	RESISTOR		R664	1-218-706-11	METAL CHIP 3.9K 0.5% 1/10W			
4023		DICA	RESISTOR		R665	1-218-712-11	METAL CHIP 6.8K 0.5% 1/10W			
4024		DICA	RESISTOR		R667	1-218-652-11	METAL CHIP 22 0.5% 1/10W			
4025		DICA	RESISTOR		R668	1-216-864-11	SHORT CHIP 0			
4026		DICA	RESISTOR		R669	1-216-847-11	METAL CHIP 150K 5% 1/10W			
4027		DICA	RESISTOR		R670	1-216-864-11	SHORT CHIP 0			
4028		DICA	RESISTOR		R671	1-216-864-11	SHORT CHIP 0			
4029		DICA	RESISTOR		R672	1-218-684-11	METAL CHIP 470 0.5% 1/10W			
4030		DICA	RESISTOR		R673	1-218-684-11	METAL CHIP 470 0.5% 1/10W			
4031		DICA	RESISTOR		R674	1-218-684-11	METAL CHIP 470 0.5% 1/10W			
4032		DICA	RESISTOR		R675	1-218-684-11	METAL CHIP 470 0.5% 1/10W			
4033		DICA	RESISTOR		R676	1-216-805-11	METAL CHIP 47 5% 1/10W			
4034		DICA	RESISTOR		R677	1-218-708-11	METAL CHIP 4.7K 0.5% 1/10W			
4035		DICA	RESISTOR		R678	1-216-805-11	METAL CHIP 47 5% 1/10W			
4036		DICA	RESISTOR		R679	1-216-837-11	METAL CHIP 22K 5% 1/10W			
4037		DICA	RESISTOR		R680	1-218-684-11	METAL CHIP 470 0.5% 1/10W			
4038		DICA	RESISTOR		R681	1-218-684-11	METAL CHIP 470 0.5% 1/10W			
4039		DICA	RESISTOR		R682	1-218-708-11	METAL CHIP 4.7K 0.5% 1/10W			
4040		DICA	RESISTOR		R683	1-218-708-11	METAL CHIP 4.7K 0.5% 1/10W			
4041		DICA	RESISTOR		R684	1-218-668-11	METAL CHIP 100 0.5% 1/10W			
4042		DICA	RESISTOR		R685	1-218-668-11	METAL CHIP 100 0.5% 1/10W			

No.	#	Board	Type	△/*	Ref.No.	Part No.	Description	Remarks-1	Remarks-2	Difference
4043		DICA	RESISTOR		R687	1-218-688-11	METAL CHIP 680 0.5% 1/10W			
4044		DICA	RESISTOR		R688	1-218-688-11	METAL CHIP 680 0.5% 1/10W			
4045		DICA	RESISTOR		R690	1-216-805-11	METAL CHIP 47 5% 1/10W			
4046		DICA	RESISTOR		R691	1-216-805-11	METAL CHIP 47 5% 1/10W			
4047		DICA	RESISTOR		R692	1-216-821-11	METAL CHIP 1K 5% 1/10W			
4048		DICA	RESISTOR		R693	1-216-821-11	METAL CHIP 1K 5% 1/10W			
4049		DICA	RESISTOR		R694	1-216-818-11	METAL CHIP 560 5% 1/10W			
4050		DICA	RESISTOR		R695	1-216-817-11	METAL CHIP 470 5% 1/10W			
4051		DICA	RESISTOR		R696	1-216-809-11	METAL CHIP 100 5% 1/10W			
4052		DICA	RESISTOR		R697	1-216-049-11	RES-CHIP 1K 5% 1/10W			
4053		DICA	RESISTOR		R698	1-218-700-11	METAL CHIP 2.2K 0.5% 1/10W			
4054		DICA	RESISTOR		R699	1-216-829-11	METAL CHIP 4.7K 5% 1/10W			
4055		DICA	RESISTOR		R700	1-216-821-11	METAL CHIP 1K 5% 1/10W			
4056		DICA	RESISTOR		R701	1-216-825-11	METAL CHIP 2.2K 5% 1/10W			
4057		DICA	RESISTOR		R702	1-216-825-11	METAL CHIP 2.2K 5% 1/10W			
4058		DICA	RESISTOR		R703	1-216-818-11	METAL CHIP 560 5% 1/10W			
4059		DICA	RESISTOR		R704	1-216-818-11	METAL CHIP 560 5% 1/10W			
4060		DICA	RESISTOR		R705	1-216-825-11	METAL CHIP 2.2K 5% 1/10W			
4061		DICA	RESISTOR		R706	1-216-829-11	METAL CHIP 4.7K 5% 1/10W			
4062		DICA	RESISTOR		R707	1-216-833-11	METAL CHIP 10K 5% 1/10W			
4063		DICA	RESISTOR		R708	1-216-803-11	METAL CHIP 33 5% 1/10W			
4064		DICA	RESISTOR		R709	1-216-805-11	METAL CHIP 47 5% 1/10W			
4065		DICA	RESISTOR		R710	1-216-805-11	METAL CHIP 47 5% 1/10W			
4066		DICA	RESISTOR		R712	1-216-833-11	METAL CHIP 10K 5% 1/10W			
4067		DICA	RESISTOR		R713	1-216-801-11	METAL CHIP 22 5% 1/10W			
4068		DICA	RESISTOR		R714	1-216-825-11	METAL CHIP 2.2K 5% 1/10W			
4069		DICA	RESISTOR		R715	1-216-825-11	METAL CHIP 2.2K 5% 1/10W			
4070		DICA	RESISTOR		R716	1-218-832-11	METAL CHIP 240 0.5% 1/10W			
4071		DICA	RESISTOR		R717	1-218-831-11	METAL CHIP 220 0.5% 1/10W			
4072		DICA	RESISTOR		R718	1-218-849-11	METAL CHIP 1.2K 0.5% 1/10W			
4073		DICA	RESISTOR		R719	1-218-848-11	METAL CHIP 1.1K 0.5% 1/10W			
4074		DICA	RESISTOR		R720	1-216-815-11	METAL CHIP 330 5% 1/10W			
4075		DICA	RESISTOR		R721	1-216-815-11	METAL CHIP 330 5% 1/10W			
4076		DICA	RESISTOR		R722	1-216-830-11	METAL CHIP 5.6K 5% 1/10W			
4077		DICA	RESISTOR		R723	1-216-830-11	METAL CHIP 5.6K 5% 1/10W			
4078		DICA	RESISTOR		R724	1-216-821-11	METAL CHIP 1K 5% 1/10W			
4079		DICA	RESISTOR		R725	1-216-629-11	METAL CHIP 120 0.5% 1/10W			
4080		DICA	RESISTOR		R726	1-216-627-11	METAL CHIP 100 0.5% 1/10W			
4081		DICA	RESISTOR		R728	1-216-813-11	METAL CHIP 220 5% 1/10W			
4082		DICA	RESISTOR		R729	1-216-830-11	METAL CHIP 5.6K 5% 1/10W			
4083		DICA	RESISTOR		R730	1-216-830-11	METAL CHIP 5.6K 5% 1/10W			
4084		DICA	RESISTOR		R731	1-216-821-11	METAL CHIP 1K 5% 1/10W			
4085		DICA	RESISTOR		R732	1-216-849-11	METAL CHIP 220K 5% 1/10W			

No.	#	Board	Type	△/*	Ref.No.	Part No.	Description	Remarks-1	Remarks-2	Difference
4086		DICA	RESISTOR		R733	1-216-841-11	METAL CHIP 47K 5% 1/10W			
4087		DICA	RESISTOR		R734	1-216-818-11	METAL CHIP 560 5% 1/10W			
4088		DICA	RESISTOR		R735	1-216-818-11	METAL CHIP 560 5% 1/10W			
4089		DICA	RESISTOR		R736	1-216-825-11	METAL CHIP 2.2K 5% 1/10W			
4090		DICA	RESISTOR		R737	1-216-821-11	METAL CHIP 1K 5% 1/10W			
4091		DICA	RESISTOR		R738	1-216-821-11	METAL CHIP 1K 5% 1/10W			
4092		DICA	RESISTOR		R739	1-216-821-11	METAL CHIP 1K 5% 1/10W			
4093		DICA	RESISTOR		R740	1-216-817-11	METAL CHIP 470 5% 1/10W			
4094		DICA	RESISTOR		R741	1-216-817-11	METAL CHIP 470 5% 1/10W			
4095		DICA	RESISTOR		R742	1-218-644-11	METAL CHIP 10 0.5% 1/10W			
4096		DICA	RESISTOR		R743	1-218-644-11	METAL CHIP 10 0.5% 1/10W			
4097		DICA	RESISTOR		R744	1-218-668-11	METAL CHIP 100 0.5% 1/10W			
4098		DICA	RESISTOR		R745	1-218-644-11	METAL CHIP 10 0.5% 1/10W			
4099		DICA	RESISTOR		R747	1-218-644-11	METAL CHIP 10 0.5% 1/10W			
4100		DICA	RESISTOR		R748	1-218-668-11	METAL CHIP 100 0.5% 1/10W			
4101		DICA	RESISTOR		R750	1-216-829-11	METAL CHIP 4.7K 5% 1/10W			
4102		DICA	RESISTOR		R752	1-216-803-11	METAL CHIP 33 5% 1/10W			
4103		DICA	RESISTOR		R753	1-216-805-11	METAL CHIP 47 5% 1/10W			
4104		DICA	RESISTOR		R754	1-216-805-11	METAL CHIP 47 5% 1/10W			
4105		DICA	RESISTOR		R755	1-216-805-11	METAL CHIP 47 5% 1/10W			
4106		DICA	RESISTOR		R756	1-216-837-11	METAL CHIP 22K 5% 1/10W			
4107		DICA	RESISTOR		R760	1-216-864-11	SHORT CHIP 0			
4108		DICA	RESISTOR		R761	1-216-864-11	SHORT CHIP 0			
4109		DICA	RESISTOR		R762	1-216-805-11	METAL CHIP 47 5% 1/10W			
4110		DICA	RESISTOR		R763	1-216-805-11	METAL CHIP 47 5% 1/10W			
4111		DICA	RESISTOR		R764	1-216-813-11	METAL CHIP 220 5% 1/10W			
4112		DICA	RESISTOR		R765	1-218-692-11	METAL CHIP 1K 0.5% 1/10W			
4113		DICA	RESISTOR		R766	1-218-693-11	METAL CHIP 1.1K 0.5% 1/10W			
4114		DICA	RESISTOR		R767	1-218-727-11	METAL CHIP 30K 0.5% 1/10W			
4115		DICA	RESISTOR		R768	1-216-805-11	METAL CHIP 47 5% 1/10W			
4116		DICA	RESISTOR		R769	1-216-805-11	METAL CHIP 47 5% 1/10W			
4117		DICA	RESISTOR		R770	1-216-815-11	METAL CHIP 330 5% 1/10W			
4118		DICA	RESISTOR		R771	1-216-813-11	METAL CHIP 220 5% 1/10W			
4119		DICA	RESISTOR		R772	1-216-809-11	METAL CHIP 100 5% 1/10W			
4120		DICA	RESISTOR		R775	1-216-801-11	METAL CHIP 22 5% 1/10W			
4121		DICA	RESISTOR		R776	1-216-805-11	METAL CHIP 47 5% 1/10W			
4122		DICA	RESISTOR		R777	1-216-805-11	METAL CHIP 47 5% 1/10W			
4123		DICA	RESISTOR		R778	1-216-805-11	METAL CHIP 47 5% 1/10W			
4124		DICA	RESISTOR		R779	1-216-864-11	SHORT CHIP 0			
4125		DICA	RESISTOR		R780	1-216-864-11	SHORT CHIP 0			
4126		DICA	RESISTOR		R781	1-216-864-11	SHORT CHIP 0			
4127		DICA	RESISTOR		R782	1-216-864-11	SHORT CHIP 0			
4128		DICA	RESISTOR		R783	1-216-864-11	SHORT CHIP 0			



No.	#	Board	Type	△/*	Ref.No.	Part No.	Description	Remarks-1	Remarks-2	Difference
4129		DICA	RESISTOR		R784	1-216-864-11	SHORT CHIP 0			
4130		DICA	RESISTOR		R785	1-216-864-11	SHORT CHIP 0			
4131		DICA	RESISTOR		R786	1-216-864-11	SHORT CHIP 0			
4132		DICA	RESISTOR		R787	1-216-864-11	SHORT CHIP 0			
4133		DICA	RESISTOR		R788	1-216-864-11	SHORT CHIP 0			
4134		DICA	RESISTOR		R789	1-218-692-11	METAL CHIP 1K 0.5% 1/10W			
4135		DICA	RESISTOR		R790	1-218-692-11	METAL CHIP 1K 0.5% 1/10W			
4136		DICA	RESISTOR		R794	1-216-809-11	METAL CHIP 100 5% 1/10W			
4137		DICA	RESISTOR		R795	1-216-809-11	METAL CHIP 100 5% 1/10W			
4138		DICA	RESISTOR		R796	1-216-864-11	SHORT CHIP 0			
4139		DICA	RESISTOR		R797	1-216-864-11	SHORT CHIP 0			
4140		DICA	RESISTOR		R798	1-216-864-11	SHORT CHIP 0			
4141		DICA	RESISTOR		R799	1-216-864-11	SHORT CHIP 0			
4142		DICA	RESISTOR		R800	1-216-807-11	METAL CHIP 68 5% 1/10W			
4143		DICA	RESISTOR		R801	1-216-807-11	METAL CHIP 68 5% 1/10W			
4144		DICA	RESISTOR		R802	1-216-805-11	METAL CHIP 47 5% 1/10W			
4145		DICA	RESISTOR		R803	1-216-807-11	METAL CHIP 68 5% 1/10W			
4146		DICA	RESISTOR		R804	1-216-807-11	METAL CHIP 68 5% 1/10W			
4147		DICA	RESISTOR		R805	1-216-295-91	SHORT CHIP 0			
4148		DICA	RESISTOR		R806	1-216-809-11	METAL CHIP 100 5% 1/10W			
4149		DICA	RESISTOR		R808	1-216-801-11	METAL CHIP 22 5% 1/10W			
4150		DICA	RESISTOR		R809	1-216-805-11	METAL CHIP 47 5% 1/10W			
4151		DICA	RESISTOR		R810	1-216-805-11	METAL CHIP 47 5% 1/10W			
4152		DICA	RESISTOR		R811	1-216-805-11	METAL CHIP 47 5% 1/10W			
4153		DICA	RESISTOR		R812	1-216-801-11	METAL CHIP 22 5% 1/10W			
4154		DICA	RESISTOR		R813	1-216-805-11	METAL CHIP 47 5% 1/10W			
4155		DICA	RESISTOR		R814	1-216-805-11	METAL CHIP 47 5% 1/10W			
4156		DICA	RESISTOR		R815	1-216-805-11	METAL CHIP 47 5% 1/10W			
4157		DICA	RESISTOR		R816	1-216-801-11	METAL CHIP 22 5% 1/10W			
4158		DICA	RESISTOR		R817	1-216-801-11	METAL CHIP 22 5% 1/10W			
4159		DICA	RESISTOR		R818	1-216-864-11	SHORT CHIP 0			
4160		DICA	RESISTOR		R824	1-216-864-11	SHORT CHIP 0			
4161		DICA	RESISTOR		R828	1-216-864-11	SHORT CHIP 0			
4162		DICA	RESISTOR		R829	1-216-864-11	SHORT CHIP 0			
4163		DICA	RESISTOR		R830	1-216-864-11	SHORT CHIP 0			
4164		DICA	RESISTOR		R841	1-216-295-91	SHORT CHIP 0			
4165		DICA	RESISTOR		R842	1-216-037-00	RES-CHIP 330 5% 1/10W			
4166		DICA	RESISTOR		R851	1-216-821-11	METAL CHIP 1K 5% 1/10W			
4167		DICA	RESISTOR		R903	1-216-809-11	METAL CHIP 100 5% 1/10W			
4168		DICA	RESISTOR		R904	1-216-864-11	SHORT CHIP 0			
4169		DICA	RESISTOR		R905	1-216-853-11	METAL CHIP 470K 5% 1/10W			
4170		DICA	RESISTOR		R906	1-216-837-11	METAL CHIP 22K 5% 1/10W			
4171		DICA	RESISTOR		R907	1-216-809-11	METAL CHIP 100 5% 1/10W			

No.	#	Board	Type	△/*	Ref.No.	Part No.	Description	Remarks-1	Remarks-2	Difference
4172		DICA	RESISTOR		R908	1-216-813-11	METAL CHIP 220 5% 1/10W			
4173		DICA	RESISTOR		R909	1-216-821-11	METAL CHIP 1K 5% 1/10W			
4174		DICA	RESISTOR		R910	1-216-815-11	METAL CHIP 330 5% 1/10W			
4175		DICA	RESISTOR		R911	1-216-864-11	SHORT CHIP 0			
4176		DICA	RESISTOR		R912	1-216-813-11	METAL CHIP 220 5% 1/10W			
4177		DICA	RESISTOR		R913	1-216-827-11	METAL CHIP 3.3K 5% 1/10W			
4178		DICA	RESISTOR		R914	1-216-864-11	SHORT CHIP 0			
4179		DICA	RESISTOR		R915	1-216-865-11	METAL CHIP 3K 5% 1/10W			
4180		DICA	RESISTOR		R917	1-216-853-11	METAL CHIP 470K 5% 1/10W			
4181		DICA	RESISTOR		R920	1-216-833-11	METAL CHIP 10K 5% 1/10W			
4182		DICA	RESISTOR		R922	1-216-810-11	METAL CHIP 120 5% 1/10W			
4183		DICA	RESISTOR		R923	1-216-810-11	METAL CHIP 120 5% 1/10W			
4184		DICA	RESISTOR		R924	1-216-805-11	METAL CHIP 47 5% 1/10W			
4185		DICA	RESISTOR		R925	1-216-805-11	METAL CHIP 47 5% 1/10W			
4186		DICA	RESISTOR		R926	1-216-803-11	METAL CHIP 33 5% 1/10W			
4187		DICA	RESISTOR		R927	1-216-803-11	METAL CHIP 33 5% 1/10W			
4188		DICA	RESISTOR		R928	1-216-805-11	METAL CHIP 47 5% 1/10W			
4189		DICA	RESISTOR		R929	1-216-809-11	METAL CHIP 100 5% 1/10W			
4190		DICA	RESISTOR		R930	1-216-797-11	METAL CHIP 10 5% 1/10W			
4191		DICA	RESISTOR		R931	1-216-809-11	METAL CHIP 100 5% 1/10W			
4192		DICA	RESISTOR		R932	1-216-809-11	METAL CHIP 100 5% 1/10W			
4193		DICA	RESISTOR		R933	1-216-809-11	METAL CHIP 100 5% 1/10W			
4194		DICA	RESISTOR		R934	1-216-801-11	METAL CHIP 22 5% 1/10W			
4195		DICA	RESISTOR		R935	1-216-801-11	METAL CHIP 22 5% 1/10W			
4196		DICA	RESISTOR		R939	1-216-864-11	SHORT CHIP 0			
4197		DICA	RESISTOR		R1104	1-216-805-11	METAL CHIP 47 5% 1/10W			
4198		DICA	RESISTOR		R1119	1-216-864-11	SHORT CHIP 0			
4199		DICA	RESISTOR		R1120	1-216-864-11	SHORT CHIP 0			
4200		DICA	RESISTOR		R1123	1-216-864-11	SHORT CHIP 0			
4201		DICA	RESISTOR		R1124	1-216-864-11	SHORT CHIP 0			
4202		DICA	RESISTOR		R1125	1-216-864-11	SHORT CHIP 0			
4203		DICA	RESISTOR		R1131	1-216-833-11	METAL CHIP 10K 5% 1/10W			
4204		DICA	RESISTOR		R1132	1-216-801-11	METAL CHIP 22 5% 1/10W			
4205		DICA	RESISTOR		R1134	1-216-801-11	METAL CHIP 22 5% 1/10W			
4206		DICA	RESISTOR		R1135	1-216-801-11	METAL CHIP 22 5% 1/10W			
4207		DICA	RESISTOR		R1137	1-216-864-11	SHORT CHIP 0			
4208		DICA	RESISTOR		R1138	1-216-864-11	SHORT CHIP 0			
4209		DICA	RESISTOR		R1139	1-216-864-11	SHORT CHIP 0			
4210		DICA	RESISTOR		R1140	1-216-864-11	SHORT CHIP 0			
4211		DICA	RESISTOR		R1142	1-216-805-11	METAL CHIP 47 5% 1/10W			
4212		DICA	RESISTOR		R1143	1-216-805-11	METAL CHIP 47 5% 1/10W			
4213		DICA	RESISTOR		R1144	1-216-864-11	SHORT CHIP 0			
4214		DICA	RESISTOR		R1146	1-216-864-11	SHORT CHIP 0			

No.	#	Board	Type	△/*	Ref.No.	Part No.	Description	Remarks-1	Remarks-2	Difference
4215		DICA	RESISTOR		R1147	1-216-864-11	SHORT CHIP 0			
4216		DICA	RESISTOR		R1150	1-216-864-11	SHORT CHIP 0			
4217		DICA	RESISTOR		R1151	1-216-864-11	SHORT CHIP 0			
4218		DICA	RESISTOR		R1152	1-216-833-11	METAL CHIP 10K 5% 1/10W			
4219		DICA	RESISTOR		R1153	1-216-805-11	METAL CHIP 47 5% 1/10W			
4220		DICA	RESISTOR		R1154	1-216-805-11	METAL CHIP 47 5% 1/10W			
4221		DICA	RESISTOR		R1155	1-216-864-11	SHORT CHIP 0			
4222		DICA	RESISTOR		R1156	1-216-833-11	METAL CHIP 10K 5% 1/10W			
4223		DICA	RESISTOR		R1157	1-216-833-11	METAL CHIP 10K 5% 1/10W			
4224		DICA	RESISTOR		R1158	1-216-833-11	METAL CHIP 10K 5% 1/10W			
4225		DICA	RESISTOR		R1162	1-216-833-11	METAL CHIP 10K 5% 1/10W			
4226		DICA	RESISTOR		R1163	1-216-833-11	METAL CHIP 10K 5% 1/10W			
4227		DICA	RESISTOR		R1164	1-216-864-11	SHORT CHIP 0			
4228		DICA	RESISTOR		R1165	1-216-864-11	SHORT CHIP 0			
4229		DICA	RESISTOR		R1166	1-216-864-11	SHORT CHIP 0			
4230		DICA	RESISTOR		R1167	1-216-864-11	SHORT CHIP 0			
4231		DICA	RESISTOR		R1168	1-216-864-11	SHORT CHIP 0			
4232		DICA	RESISTOR		R1169	1-216-864-11	SHORT CHIP 0			
4233		DICA	RESISTOR		R1170	1-216-864-11	SHORT CHIP 0			
4234		DICA	RESISTOR		R1171	1-216-864-11	SHORT CHIP 0			
4235		DICA	RESISTOR		R1172	1-216-864-11	SHORT CHIP 0			
4236		DICA	RESISTOR		R1173	1-216-864-11	SHORT CHIP 0			
4237		DICA	RESISTOR		R1174	1-216-864-11	SHORT CHIP 0			
4238		DICA	RESISTOR		R1176	1-216-864-11	SHORT CHIP 0			
4239		DICA	RESISTOR		R1178	1-216-864-11	SHORT CHIP 0			
4240		DICA	RESISTOR		R1179	1-216-864-11	SHORT CHIP 0			
4241		DICA	RESISTOR		R1180	1-216-864-11	SHORT CHIP 0			
4242		DICA	RESISTOR		R1181	1-216-864-11	SHORT CHIP 0			
4243		DICA	RESISTOR		R1183	1-216-801-11	METAL CHIP 22 5% 1/10W			
4244		DICA	RESISTOR		R1186	1-216-864-11	SHORT CHIP 0			
4245		DICA	RESISTOR		R1187	1-216-864-11	SHORT CHIP 0			
4246		DICA	RESISTOR		R1188	1-216-805-11	METAL CHIP 47 5% 1/10W			
4247		DICA	RESISTOR		R1189	1-216-805-11	METAL CHIP 47 5% 1/10W			
4248		DICA	RESISTOR		R1190	1-216-864-11	SHORT CHIP 0			
4249		DICA	RESISTOR		R1195	1-216-805-11	METAL CHIP 47 5% 1/10W			
4250		DICA	RESISTOR		R1196	1-216-819-11	METAL CHIP 680 5% 1/10W			
4251		DICA	RESISTOR		R1304	1-216-805-11	METAL CHIP 47 5% 1/10W			
4252		DICA	RESISTOR		R1305	1-216-805-11	METAL CHIP 47 5% 1/10W			
4253		DICA	RESISTOR		R1306	1-216-833-11	METAL CHIP 10K 5% 1/10W			
4254		DICA	RESISTOR		R1307	1-216-817-11	METAL CHIP 470 5% 1/10W			
4255		DICA	RESISTOR		R1310	1-216-809-11	METAL CHIP 100 5% 1/10W			
4256		DICA	RESISTOR		R1311	1-216-825-11	METAL CHIP 2.2K 5% 1/10W			
4257		DICA	RESISTOR		R1312	1-216-825-11	METAL CHIP 2.2K 5% 1/10W			

No.	#	Board	Type	△/*	Ref.No.	Part No.	Description	Remarks-1	Remarks-2	Difference
4258		DICA	RESISTOR		R1313	1-216-815-11	METAL CHIP 330 5% 1/10W			
4259		DICA	RESISTOR		R1314	1-216-845-11	METAL CHIP 100K 5% 1/10W			
4260		DICA	RESISTOR		R1315	1-216-845-11	METAL CHIP 100K 5% 1/10W			
4261		DICA	RESISTOR		R1316	1-216-833-11	METAL CHIP 10K 5% 1/10W			
4262		DICA	RESISTOR		R1318	1-216-809-11	METAL CHIP 100 5% 1/10W			
4263		DICA	RESISTOR		R1319	1-216-809-11	METAL CHIP 100 5% 1/10W			
4264		DICA	RESISTOR		R1320	1-216-809-11	METAL CHIP 100 5% 1/10W			
4265		DICA	RESISTOR		R1321	1-216-864-11	SHORT CHIP 0			
4266		DICA	RESISTOR		R1322	1-216-809-11	METAL CHIP 100 5% 1/10W			
4267		DICA	RESISTOR		R1324	1-216-864-11	SHORT CHIP 0			
4268		DICA	RESISTOR		R1326	1-216-864-11	SHORT CHIP 0			
4269		DICA	RESISTOR		R1327	1-216-864-11	SHORT CHIP 0			
4270		DICA	RESISTOR		R1329	1-216-864-11	SHORT CHIP 0			
4271		DICA	RESISTOR		R1331	1-216-833-11	METAL CHIP 10K 5% 1/10W			
4272		DICA	RESISTOR		R1332	1-216-833-11	METAL CHIP 10K 5% 1/10W			
4273		DICA	RESISTOR		R1333	1-216-833-11	METAL CHIP 10K 5% 1/10W			
4274		DICA	RESISTOR		R1334	1-216-833-11	METAL CHIP 10K 5% 1/10W			
4275		DICA	RESISTOR		R1335	1-216-833-11	METAL CHIP 10K 5% 1/10W			
4276		DICA	RESISTOR		R1338	1-216-833-11	METAL CHIP 10K 5% 1/10W			
4277		DICA	RESISTOR		R1339	1-216-833-11	METAL CHIP 10K 5% 1/10W			
4278		DICA	RESISTOR		R1340	1-216-833-11	METAL CHIP 10K 5% 1/10W			
4279		DICA	RESISTOR		R1341	1-216-833-11	METAL CHIP 10K 5% 1/10W			
4280		DICA	RESISTOR		R1346	1-216-815-11	METAL CHIP 330 5% 1/10W			
4281		DICA	RESISTOR		R1347	1-216-864-11	SHORT CHIP 0			
4282		DICA	RESISTOR		R1348	1-216-864-11	SHORT CHIP 0			
4283		DICA	RESISTOR		R1400	1-216-809-11	METAL CHIP 100 5% 1/10W			
4284		DICA	RESISTOR		R1401	1-216-833-11	METAL CHIP 10K 5% 1/10W			
4285		DICA	RESISTOR		R1402	1-216-833-11	METAL CHIP 10K 5% 1/10W			
4286		DICA	RESISTOR		R1403	1-216-809-11	METAL CHIP 100 5% 1/10W			
4287		DICA	RESISTOR		R1404	1-216-809-11	METAL CHIP 100 5% 1/10W			
4288		DICA	RESISTOR		R1405	1-216-809-11	METAL CHIP 100 5% 1/10W			
4289		DICA	RESISTOR		R1406	1-216-809-11	METAL CHIP 100 5% 1/10W			
4290		DICA	RESISTOR		R1407	1-216-864-11	SHORT CHIP 0			
4291		DICA	RESISTOR		R1408	1-216-864-11	SHORT CHIP 0			
4292		DICA	RESISTOR		R1409	1-216-857-11	METAL CHIP 1M 5% 1/10W			
4293		DICA	RESISTOR		R1410	1-216-857-11	METAL CHIP 1M 5% 1/10W			
4294		DICA	RESISTOR		R1411	1-218-706-11	METAL CHIP 3.9K 0.5% 1/10W			
4295		DICA	RESISTOR		R1412	1-218-706-11	METAL CHIP 3.9K 0.5% 1/10W			
4296		DICA	RESISTOR		R1413	1-216-833-11	METAL CHIP 10K 5% 1/10W			
4297		DICA	RESISTOR		R1414	1-216-833-11	METAL CHIP 10K 5% 1/10W			
4298		DICA	RESISTOR		R1415	1-216-825-11	METAL CHIP 2.2K 5% 1/10W			
4299		DICA	RESISTOR		R1416	1-216-825-11	METAL CHIP 2.2K 5% 1/10W			
4300		DICA	RESISTOR		R1417	1-216-827-11	METAL CHIP 3.3K 5% 1/10W			

No.	#	Board	Type	△/*	Ref.No.	Part No.	Description	Remarks-1	Remarks-2	Difference
4301		DICA	RESISTOR		R1418	1-218-692-11	METAL CHIP 1K 0.5% 1/10W			
4302		DICA	RESISTOR		R1419	1-216-827-11	METAL CHIP 3.3K 5% 1/10W			
4303		DICA	RESISTOR		R1420	1-218-692-11	METAL CHIP 1K 0.5% 1/10W			
4304		DICA	RESISTOR		R1421	1-218-720-11	METAL CHIP 15K 0.5% 1/10W			
4305		DICA	RESISTOR		R1422	1-218-718-11	METAL CHIP 12K 0.5% 1/10W			
4306		DICA	RESISTOR		R1423	1-218-698-11	METAL CHIP 1.8K 0.5% 1/10W			
4307		DICA	RESISTOR		R1424	1-218-698-11	METAL CHIP 1.8K 0.5% 1/10W			
4308		DICA	RESISTOR		R1425	1-216-809-11	METAL CHIP 100 5% 1/10W			
4309		DICA	RESISTOR		R1426	1-216-809-11	METAL CHIP 100 5% 1/10W			
4310		DICA	RESISTOR		R1427	1-216-821-11	METAL CHIP 1K 5% 1/10W			
4311		DICA	RESISTOR		R1428	1-216-821-11	METAL CHIP 1K 5% 1/10W			
4312		DICA	RESISTOR		R1429	1-216-809-11	METAL CHIP 100 5% 1/10W			
4313		DICA	RESISTOR		R1430	1-216-809-11	METAL CHIP 100 5% 1/10W			
4314		DICA	RESISTOR		R1431	1-216-864-11	SHORT CHIP 0			
4315		DICA	RESISTOR		R1436	1-216-864-11	SHORT CHIP 0			
4316		DICA	NETWORK		RB601	1-233-575-11	RES, CHIP NETWORK 22			
4317		DICA	NETWORK		RB602	1-239-409-11	RES, CHIP NETWORK 47 (3216)			
4318		DICA	NETWORK		RB603	1-239-409-11	RES, CHIP NETWORK 47 (3216)			
4319		DICA	NETWORK		RB604	1-239-409-11	RES, CHIP NETWORK 47 (3216)			
4320		DICA	NETWORK		RB605	1-239-409-11	RES, CHIP NETWORK 47 (3216)			
4321		DICA	NETWORK		RB606	1-233-575-11	RES, CHIP NETWORK 22			
4322		DICA	NETWORK		RB607	1-239-409-11	RES, CHIP NETWORK 47 (3216)			
4323		DICA	NETWORK		RB610	1-239-409-11	RES, CHIP NETWORK 47 (3216)			
4324		DICA	NETWORK		RB611	1-239-409-11	RES, CHIP NETWORK 47 (3216)			
4325		DICA	NETWORK		RB612	1-239-409-11	RES, CHIP NETWORK 47 (3216)			
4326		DICA	NETWORK		RB613	1-239-409-11	RES, CHIP NETWORK 47 (3216)			
4327		DICA	NETWORK		RB614	1-239-409-11	RES, CHIP NETWORK 47 (3216)			
4328		DICA	NETWORK		RB615	1-239-409-11	RES, CHIP NETWORK 47 (3216)			
4329		DICA	NETWORK		RB616	1-239-409-11	RES, CHIP NETWORK 47 (3216)			
4330		DICA	NETWORK		RB617	1-234-523-21	RES, CHIP NETWORK 0 (3216)			
4331		DICA	NETWORK		RB618	1-234-523-21	RES, CHIP NETWORK 0 (3216)			
4332		DICA	NETWORK		RB619	1-234-523-21	RES, CHIP NETWORK 0 (3216)			
4333		DICA	NETWORK		RB620	1-234-523-21	RES, CHIP NETWORK 0 (3216)			
4334		DICA	NETWORK		RB901	1-233-576-11	RES, CHIP NETWORK 100			
4335		DICA	NETWORK		RB902	1-233-576-11	RES, CHIP NETWORK 100			
4336		DICA	NETWORK		RB903	1-233-576-11	RES, CHIP NETWORK 100			
4337		DICA	NETWORK		RB904	1-233-576-11	RES, CHIP NETWORK 100			
4338		DICA	NETWORK		RB905	1-233-576-11	RES, CHIP NETWORK 100			
4339		DICA	NETWORK		RB906	1-233-813-11	RES, NETWORK 150 (3216)			
4340		DICA	NETWORK		RB907	1-233-813-11	RES, NETWORK 150 (3216)			
4341		DICA	NETWORK		RB908	1-233-576-11	RES, CHIP NETWORK 100			
4342		DICA	NETWORK		RB909	1-233-813-11	RES, NETWORK 150 (3216)			
4343		DICA	NETWORK		RB910	1-233-813-11	RES, NETWORK 150 (3216)			

No.	#	Board	Type	△/*	Ref.No.	Part No.	Description	Remarks-1	Remarks-2	Difference
4344		DICA	NETWORK		RB911	1-233-576-11	RES, CHIP NETWORK 100			
4345		DICA	NETWORK		RB1101	1-239-409-11	RES, CHIP NETWORK 47 (3216)			
4346		DICA	NETWORK		RB1102	1-239-409-11	RES, CHIP NETWORK 47 (3216)			
4347		DICA	NETWORK		RB1103	1-239-409-11	RES, CHIP NETWORK 47 (3216)			
4348		DICA	NETWORK		RB1104	1-239-409-11	RES, CHIP NETWORK 47 (3216)			
4349		DICA	NETWORK		RB1105	1-236-908-11	RES, CHIP NETWORK 10K (3216)			
4350		DICA	NETWORK		RB1106	1-236-908-11	RES, CHIP NETWORK 10K (3216)			
4351		DICA	NETWORK		RB1107	1-236-908-11	RES, CHIP NETWORK 10K (3216)			
4352		DICA	NETWORK		RB1108	1-236-908-11	RES, CHIP NETWORK 10K (3216)			
4353		DICA	NETWORK		RB1109	1-234-523-21	RES, CHIP NETWORK 0 (3216)			
4354		DICA	NETWORK		RB1110	1-234-523-21	RES, CHIP NETWORK 0 (3216)			
4355		DICA	NETWORK		RB1111	1-233-575-11	RES, CHIP NETWORK 22			
4356		DICA	NETWORK		RB1112	1-233-575-11	RES, CHIP NETWORK 22			
4357		DICA	NETWORK		RB1113	1-233-575-11	RES, CHIP NETWORK 22			
4358		DICA	NETWORK		RB1114	1-233-575-11	RES, CHIP NETWORK 22			
4359		DICA	NETWORK		RB1115	1-233-575-11	RES, CHIP NETWORK 22			
4360		DICA	NETWORK		RB1116	1-233-575-11	RES, CHIP NETWORK 22			
4361		DICA	NETWORK		RB1117	1-233-575-11	RES, CHIP NETWORK 22			
4362		DICA	NETWORK		RB1118	1-233-575-11	RES, CHIP NETWORK 22			
4363		DICA	NETWORK		RB1119	1-233-575-11	RES, CHIP NETWORK 22			
4364		DICA	NETWORK		RB1120	1-233-575-11	RES, CHIP NETWORK 22			
4365		DICA	NETWORK		RB1121	1-233-575-11	RES, CHIP NETWORK 22			
4366		DICA	NETWORK		RB1122	1-233-575-11	RES, CHIP NETWORK 22			
4367		DICA	NETWORK		RB1123	1-233-575-11	RES, CHIP NETWORK 22			
4368		DICA	NETWORK		RB1124	1-233-575-11	RES, CHIP NETWORK 22			
4369		DICA	NETWORK		RB1125	1-233-575-11	RES, CHIP NETWORK 22			
4370		DICA	NETWORK		RB1126	1-233-575-11	RES, CHIP NETWORK 22			
4371		DICA	NETWORK		RB1127	1-236-908-11	RES, CHIP NETWORK 10K (3216)			
4372		DICA	NETWORK		RB1128	1-236-908-11	RES, CHIP NETWORK 10K (3216)			
4373		DICA	NETWORK		RB1401	1-239-409-11	RES, CHIP NETWORK 47 (3216)			
4374		DICA	NETWORK		RB1402	1-239-409-11	RES, CHIP NETWORK 47 (3216)			
4375		DICA	CRYSTAL		X601	1-795-713-21	OSCILLATOR, QUARTZ CRISTAL			
4376		DICA	CRYSTAL		X602	1-781-204-21	VIBRATOR, CRYSTAL			
4377		DICA	CRYSTAL		X1102	1-795-713-21	OSCILLATOR, QUARTZ CRISTAL			
4378		DICA	CRYSTAL		X1103	1-781-887-21	VIBRATOR, CRYSTAL			
4379		DICA	CRYSTAL		X1301	1-781-945-21	VIBRATOR, CERAMIC			
4380		DICA	CRYSTAL		X1401	1-795-565-21	VIBRATOR, CERAMIC			
4381		DICA	CRYSTAL		X1402	1-795-565-21	VIBRATOR, CERAMIC			
4382		DP	CAPACITOR		C1606	1-164-156-11	CERAMIC CHIP 0.1UF 25V			
4383		DP	CAPACITOR		C1607	1-164-156-11	CERAMIC CHIP 0.1UF 25V			
4384		DP	CAPACITOR		C1608	1-164-156-11	CERAMIC CHIP 0.1UF 25V			
4385		DP	CAPACITOR		C1609	1-110-530-11	ELECT CHIP 1000UF 20% 6.3V			
4386		DP	CAPACITOR		C1610	1-110-530-11	ELECT CHIP 1000UF 20% 6.3V			

No.	#	Board	Type	△/*	Ref.No.	Part No.	Description	Remarks-1	Remarks-2	Difference
4387		DP	CAPACITOR		C1611	1-110-530-11	ELECT CHIP 1000UF 20% 6.3V			
4388		DP	CAPACITOR		C1612	1-164-156-11	CERAMIC CHIP 0.1UF 25V			
4389		DP	CAPACITOR		C1613	1-164-156-11	CERAMIC CHIP 0.1UF 25V			
4390		DP	CAPACITOR		C1614	1-164-156-11	CERAMIC CHIP 0.1UF 25V			
4391		DP	CAPACITOR		C1615	1-119-765-11	ELECT 47UF 20.00% 6.3V			
4392		DP	CAPACITOR		C1616	1-119-765-11	ELECT 47UF 20.00% 6.3V			
4393		DP	CAPACITOR		C1617	1-119-765-11	ELECT 47UF 20.00% 6.3V			
4394		DP	CAPACITOR		C1618	1-165-176-11	CERAMIC CHIP 0.047UF 10.00% 16V			
4395		DP	CAPACITOR		C1619	1-165-176-11	CERAMIC CHIP 0.047UF 10.00% 16V			
4396		DP	CAPACITOR		C1620	1-165-176-11	CERAMIC CHIP 0.047UF 10.00% 16V			
4397		DP	CAPACITOR		C1624	1-216-864-11	SHORT CHIP 0			
4398		DP	CAPACITOR		C1625	1-216-864-11	SHORT CHIP 0			
4399		DP	CAPACITOR		C1626	1-216-864-11	SHORT CHIP 0			
4400		DP	CAPACITOR		C1627	1-164-156-11	CERAMIC CHIP 0.1UF 25V			
4401		DP	CAPACITOR		C1628	1-164-156-11	CERAMIC CHIP 0.1UF 25V			
4402		DP	CAPACITOR		C1629	1-164-156-11	CERAMIC CHIP 0.1UF 25V			
4403		DP	CAPACITOR		C1630	1-165-811-91	CERAMIC CHIP 22UF 10% 16V			
4404		DP	CAPACITOR		C1631	1-165-811-91	CERAMIC CHIP 22UF 10% 16V			
4405		DP	CAPACITOR		C1632	1-165-811-91	CERAMIC CHIP 22UF 10% 16V			
4406		DP	CAPACITOR		C1633	1-165-811-91	CERAMIC CHIP 22UF 10% 16V			
4407		DP	CAPACITOR		C1634	1-165-811-91	CERAMIC CHIP 22UF 10% 16V			
4408		DP	CAPACITOR		C1636	1-128-396-11	ELECT CHIP 470UF 20% 10V			
4409		DP	CAPACITOR		C1637	1-128-396-11	ELECT CHIP 470UF 20% 10V			
4410		DP	CAPACITOR		C1638	1-128-396-11	ELECT CHIP 470UF 20% 10V			
4411		DP	CAPACITOR		C1640	1-162-970-11	CERAMIC CHIP 0.01UF 10.00% 25V			
4412		DP	CONNECTOR	*	CN1601	1-764-333-11	PLUG, CONNECTOR 10P			
4413		DP	CONNECTOR		CN1604	1-793-496-11	CONNECTOR, BOARD TO BOARD 20P			
4414		DP	DIODE		D1601	8-719-404-50	DIODE MA111-TX			
4415		DP	DIODE		D1602	8-719-404-50	DIODE MA111-TX			
4416		DP	DIODE		D1603	8-719-404-50	DIODE MA111-TX			
4417		DP	DIODE		D1604	8-719-056-78	DIODE UDZ-TE-17-4.3B			
4418		DP	DIODE		D1605	8-719-056-78	DIODE UDZ-TE-17-4.3B			
4419		DP	DIODE		D1606	8-719-056-78	DIODE UDZ-TE-17-4.3B			
4420		DP	DIODE		D1607	8-719-085-58	DIODE EC30HA03L-TE12L			
4421		DP	DIODE		D1608	8-719-085-58	DIODE EC30HA03L-TE12L			
4422		DP	DIODE		D1609	8-719-085-58	DIODE EC30HA03L-TE12L			
4423		DP	DIODE		D1610	8-719-085-58	DIODE EC30HA03L-TE12L			
4424		DP	DIODE		D1611	8-719-085-58	DIODE EC30HA03L-TE12L			
4425		DP	DIODE		D1612	8-719-085-58	DIODE EC30HA03L-TE12L			
4426		DP	FERRITE		FB1601	1-469-568-21	FERRITE 0UH			
4427		DP	FILTER		FL1602	1-234-494-21	FILTER, EMI REMOVAL (SMD)			
4428		DP	FILTER		FL1604	1-234-494-21	FILTER, EMI REMOVAL (SMD)			
4429		DP	FILTER		FL1606	1-234-494-21	FILTER, EMI REMOVAL (SMD)			

No.	#	Board	Type	△/*	Ref.No.	Part No.	Descrption	Remarks-1	Remarks-2	Difference
4430		DP	FILTER		FL1608	1-234-494-21	FILTER, EMI REMOVAL (SMD)			
4431		DP	FILTER		FL1610	1-234-494-21	FILTER, EMI REMOVAL (SMD)			
4432		DP	FILTER		FL1612	1-234-494-21	FILTER, EMI REMOVAL (SMD)			
4433		DP	IC		IC1603	8-759-677-25	IC S-8520B25MC-ARK-T2			
4434		DP	IC		IC1604	8-759-677-27	IC S-8520B33MC-ARS-T2			
4435		DP	IC		IC1605	6-700-598-01	IC S-8520B18MC-ARD-T2			
4436		DP	COIL		L1601	1-424-758-21	INDUCTOR 10UH			
4437		DP	COIL		L1602	1-424-758-21	INDUCTOR 10UH			
4438		DP	COIL		L1603	1-424-758-21	INDUCTOR 10UH			
4439		DP	COIL		L1604	1-424-922-21	INDUCTOR 10UH			
4440		DP	COIL		L1605	1-424-758-21	INDUCTOR 10UH			
4441		DP	COIL		L1606	1-424-758-21	INDUCTOR 10UH			
4442		DP	IC LINK	△	PS1601	1-533-272-11	FUSE 4A 125V			
4443		DP	IC LINK	△	PS1602	1-533-272-11	FUSE 4A 125V			
4444		DP	IC LINK	△	PS1603	1-533-272-11	FUSE 4A 125V			
4445		DP	TRANSISTOR		Q1608	8-729-905-35	TRANSISTOR 2SC4081-R			
4446		DP	TRANSISTOR	*	Q1609	8-729-045-93	TRANSISTOR IMZ4T108			
4447		DP	TRANSISTOR	*	Q1610	8-729-045-93	TRANSISTOR IMZ4T108			
4448		DP	TRANSISTOR	*	Q1611	8-729-045-93	TRANSISTOR IMZ4T108			
4449		DP	TRANSISTOR		Q1612	8-729-052-44	TRANSISTOR 2SJ538-TL			
4450		DP	TRANSISTOR		Q1613	8-729-052-44	TRANSISTOR 2SJ538-TL			
4451		DP	TRANSISTOR		Q1614	8-729-052-44	TRANSISTOR 2SJ538-TL			
4452		DP	RESISTOR		R1614	1-216-833-11	METAL CHIP 10K 5% 1/10W			
4453		DP	RESISTOR		R1615	1-218-871-11	METAL CHIP 10K 0.5% 1/10W			
4454		DP	RESISTOR		R1616	1-218-871-11	METAL CHIP 10K 0.5% 1/10W			
4455		DP	RESISTOR		R1617	1-218-871-11	METAL CHIP 10K 0.5% 1/10W			
4456		DP	RESISTOR		R1618	1-218-837-11	METAL CHIP 390 0.5% 1/10W			
4457		DP	RESISTOR		R1619	1-218-835-11	METAL CHIP 330 0.5% 1/10W			
4458		DP	RESISTOR		R1620	1-218-837-11	METAL CHIP 390 0.5% 1/10W			
4459		DP	RESISTOR		R1621	1-216-821-11	METAL CHIP 1K 5% 1/10W			
4460		DP	RESISTOR		R1622	1-216-821-11	METAL CHIP 1K 5% 1/10W			
4461		DP	RESISTOR		R1623	1-216-821-11	METAL CHIP 1K 5% 1/10W			
4462		DP	RESISTOR		R1624	1-216-864-11	SHORT CHIP 0			
4463		DP	RESISTOR		R1625	1-216-864-11	SHORT CHIP 0			
4464		DP	RESISTOR		R1626	1-216-864-11	SHORT CHIP 0			
4465		DP	RESISTOR		R1627	1-216-864-11	SHORT CHIP 0			
4466		DP	RESISTOR		R1628	1-216-864-11	SHORT CHIP 0			
4467		DP	RESISTOR		R1629	1-216-864-11	SHORT CHIP 0			
4468		DP	RESISTOR		R1630	1-216-864-11	SHORT CHIP 0			
4469		DP	RESISTOR		R1631	1-216-864-11	SHORT CHIP 0			
4470		DP	RESISTOR		R1632	1-216-864-11	SHORT CHIP 0			



